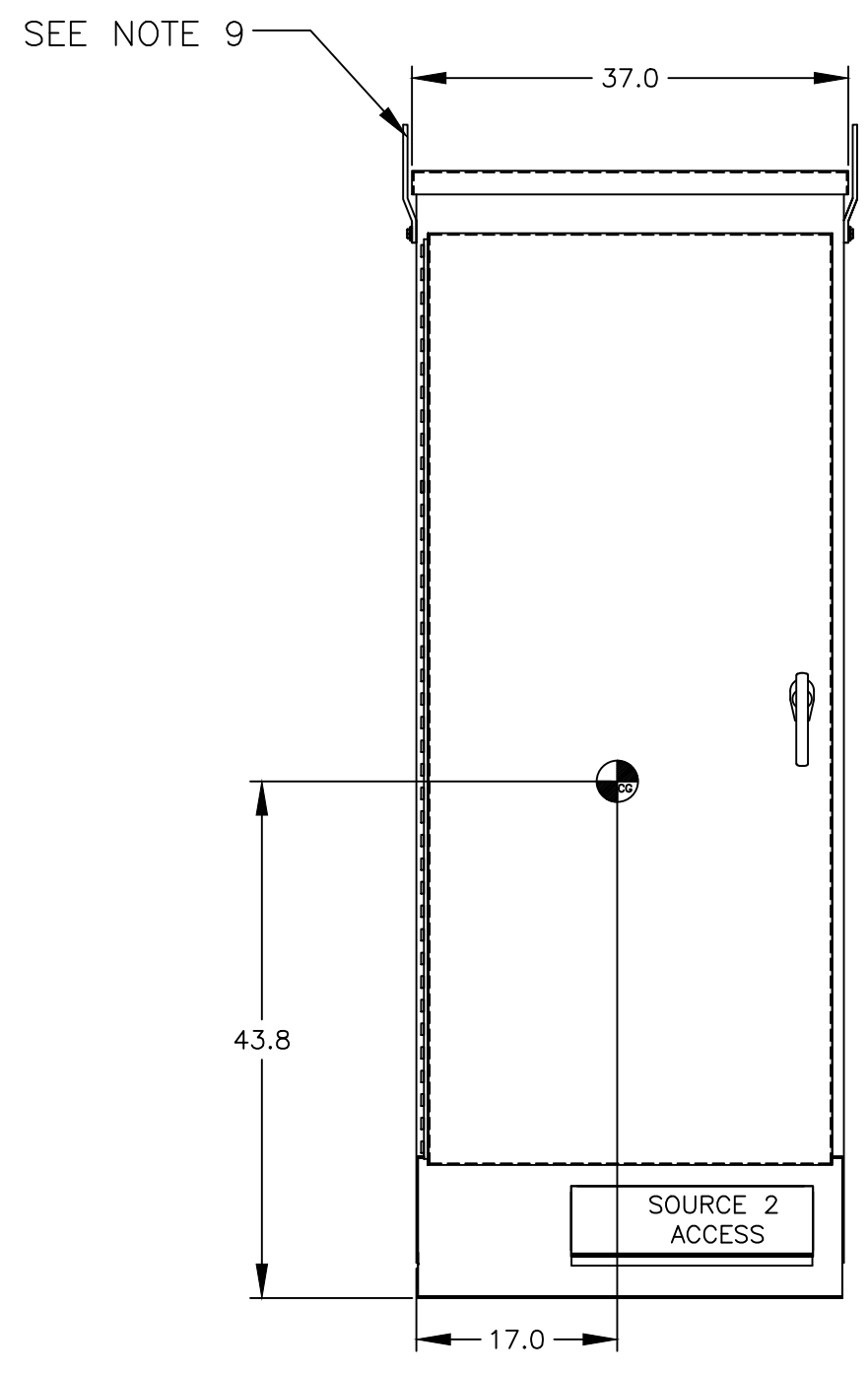
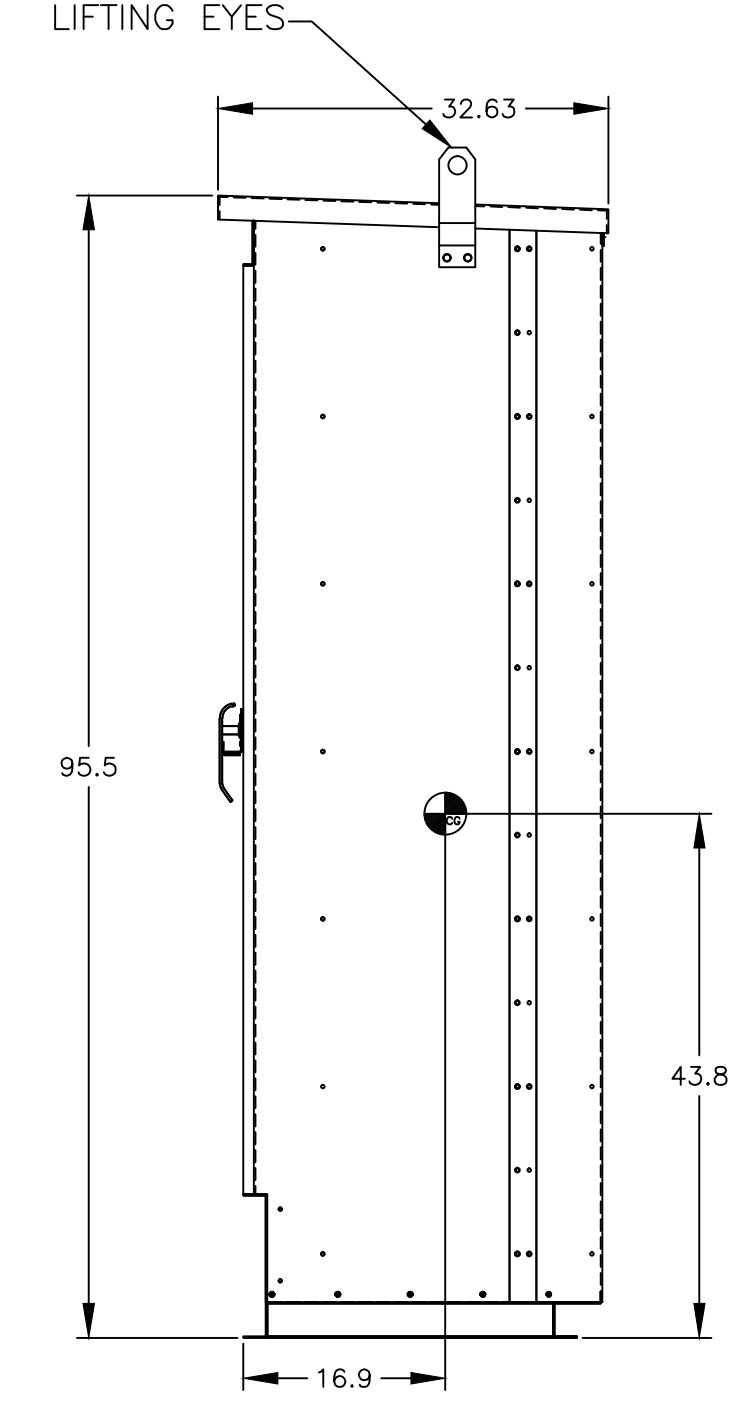


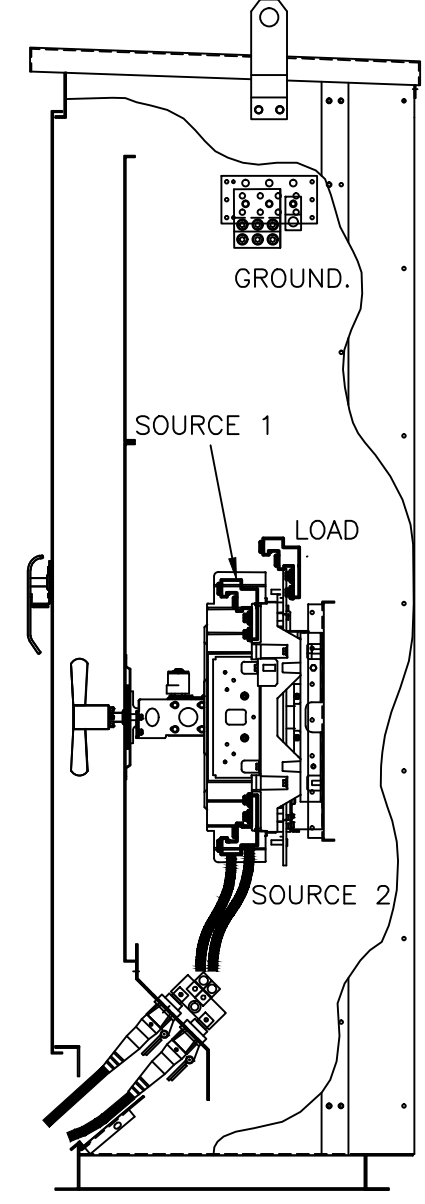
TOP VIEW



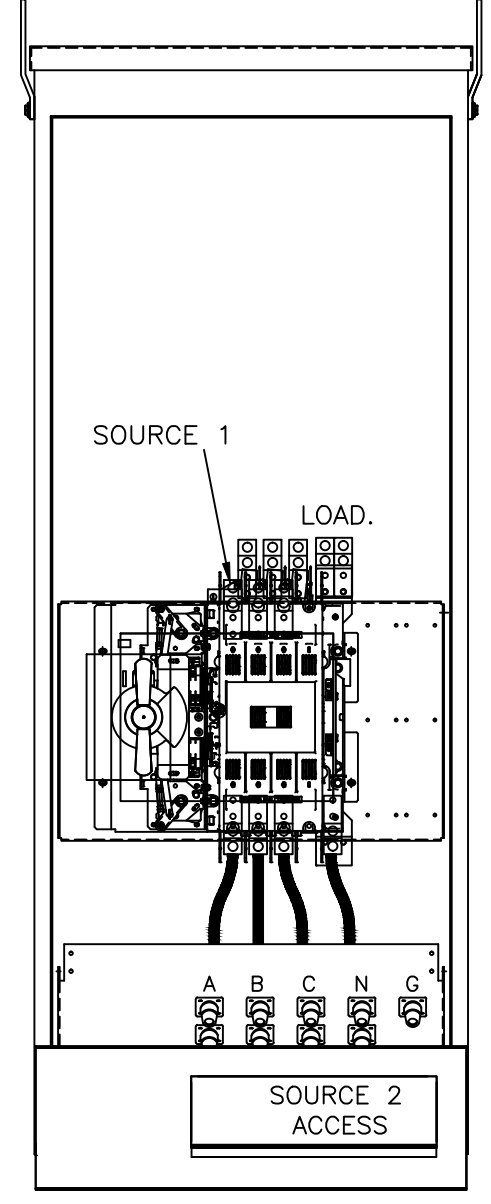
FRONT VIEW



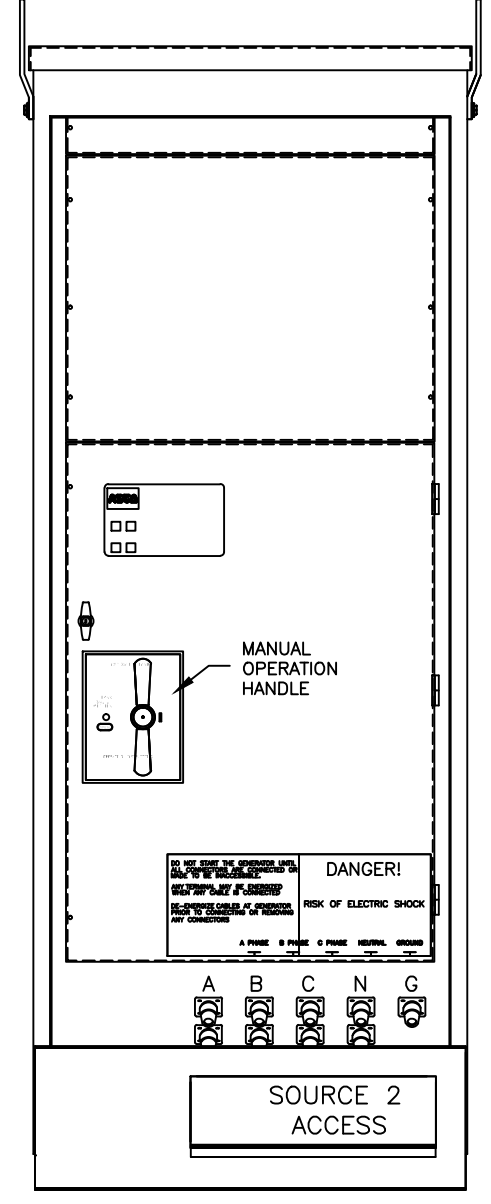
RIGHT SIDE VIEW



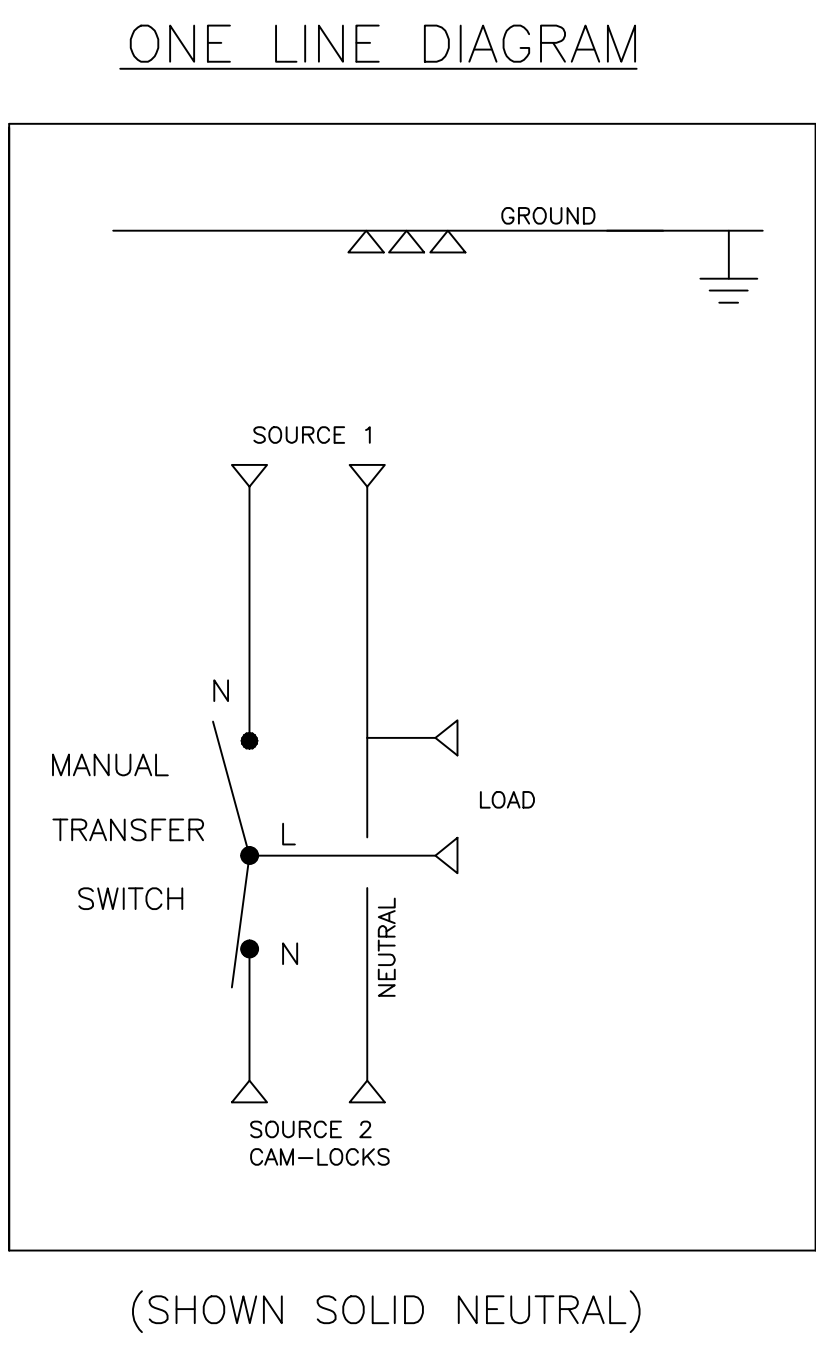
RIGHT SIDE



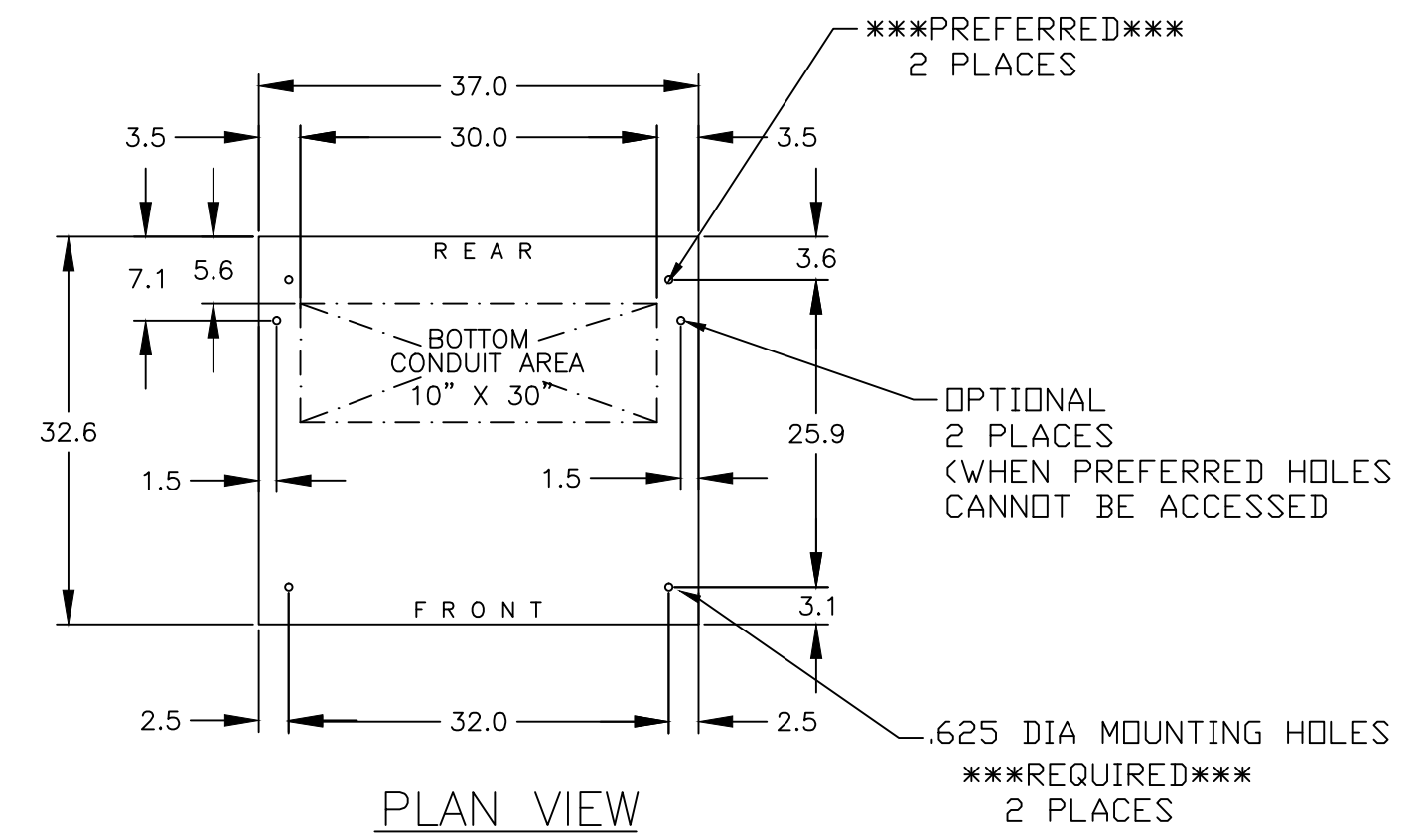
FRONT VIEW WITHOUT COVERS



FRONT VIEW WITH COVERS



(SHOWN SOLID NEUTRAL)



PLAN VIEW

GENERAL NOTES

- TYPE 3R ENCLOSURE. FREE STANDING. FLOOR MOUNTED. CODE GAUGE STEEL.
- EXTERIOR DOORS HAVE PADLOCKABLE HANDLE WITH 3 POINT LATCH.
- FINISH: TYPE 3R: ANSI 61 GRAY POLYESTER SEMI GLOSS ELECTROSTATIC POWDER.
TYPE 3RX(R) - EXTERIOR CONSTRUCTED OF CODE GAUGE TYPE 304 STAINLESS STEEL.
TYPE 3RX(S) - EXTERIOR CONSTRUCTED OF CODE GAUGE TYPE 316 STAINLESS STEEL
- RECOMMENDED CLEARANCES:
FRONT: 38 INCHES
- ALL BUS IS SILVER-PLATED COPPER, BASED ON 1000A PER SQ. IN. DENSITY.
- A FULL RATED NEUTRAL CONNECTION FOR EACH SOURCE AND THE LOAD IS OPTIONAL. WHEN PROVIDED IT IS IN ONE OF THE FOLLOWING FORMATS AS SPECIFIED BY THE CATALOG NO. NEUTRAL TYPE;
A. SOLID (COPPER BUS) NEUTRAL.
B. SWITCH (COPPER BUS) NEUTRAL.
- DESIGNED FOR FRONT ACCESS
- FOR SPECIFIED TRANSFER SWITCH, REFER TO OPERATOR'S MANUAL PROVIDED WITH UNIT.
- LIFTING PLATES: SECTIONS ARE SUPPLIED WITH LIFTING PLATES.
INSPECT PLATES FOR DAMAGE AND TORQUE BOLTS TO 45 FT LBS BEFORE USE.
REFER TO ANSI/NEMA PB 2.1 FOR PROPER HANDLING OF EQUIPMENT.
AFTER INSTALLATION OF SECTION, REMOVE LIFTING PLATES.
REINSTALL BOLTS INTO EXTERIOR HOLES AND TORQUE TO APROX. 20 FT LBS.
- CENTER OF GRAVITY.
- APPROXIMATE WEIGHT: 930 LBS

SPECIFICATIONS

- SYSTEM RATING: 450 AMPS, 500 AMPS, 600 AMPS, 3 ϕ , 4W OR 1 ϕ , 3W.
SHORT CIRCUIT RATING- SOURCE 1: 50,000 RMS SYM AMPERES @ 480V, 65,000 RMS SYM AMPERES @ 240V
SOURCE 2: 22,000 RMS SYM AMPERES @ 480V
- NEUTRAL BUS: 100% RATED.
- GROUND BUS: 20% RATED.
- APPLICABLE LABELS: U.L. 891- SUITABLE ONLY FOR USE AS SERVICE EQUIPMENT.

TERMINATIONS 450-600 AMPS

- SUPPLIED WITH STANDARD MECHANICAL (SCREW TYPE) LUGS .
SOURCE 1: (2) #2 AWG - 600MCM PER PHASE & NEUTRAL
LOAD: (2) #2 AWG - 600MCM PER PHASE & NEUTRAL
SOURCE 2: (2) 1016 SERIES SINGLE POLE CAM LOCK MALE RECEPTICALS PER PHASE & NEUTRAL
GROUND: (6) 1/0 -600MCM

SUITABLE WIRE BENDING SPACE IS PROVIDED AS PER THE NEC
- CONSULT FACTORY FOR OTHER TERMINATION REQUIREMENTS.

B	269192	LY	RN	4/9/18
	SEE ECN			
A	269192	BCG	RN	9/26/17
	SEE ECN			
-	267536	LY	RN	6/12/17
	ISSUE			

PROJECT NAME:		REV. TO SHEET	ECN NO.	BY	APP.	DATE
OUTLINE		MOUNTING				
JMTQ 450A - 600A, SOURCE 1,CAMLOCKS ON SOURCE 2						
TYPE 3R/3RX 96 X 37 X 33						
BY	DATE	MANUFACTURING TOLERANCES TO BE IN ACCORDANCE WITH ASCO PROCEDURE MP-1-003. FOR PLASTIC PARTS SEE MP-1-055		ASSEM. REF. NO.	COMPUTER GENERATED DRAWING	
DRAWN BY	LY	6/12/17			SCALE 1/16" = 1" SIZE	DS
CHECKED	RN				PROPERTY OF ASCO POWER TECHNOLOGIES. USE PERMITTED FOR OUR WORK ONLY. ALL RIGHTS OF DESIGN OR INVENTION ARE RESERVED.	
PROJECT APPROVAL					DWG. NO. 977099-002	
FINAL APPROVAL					DRAWING B ECN NO. 271893 SHEET 1 OF 1	
ASCO		ASCO POWER TECHNOLOGIES, L.P. FLORHAM PARK, NEW JERSEY 07932 U.S.A.				