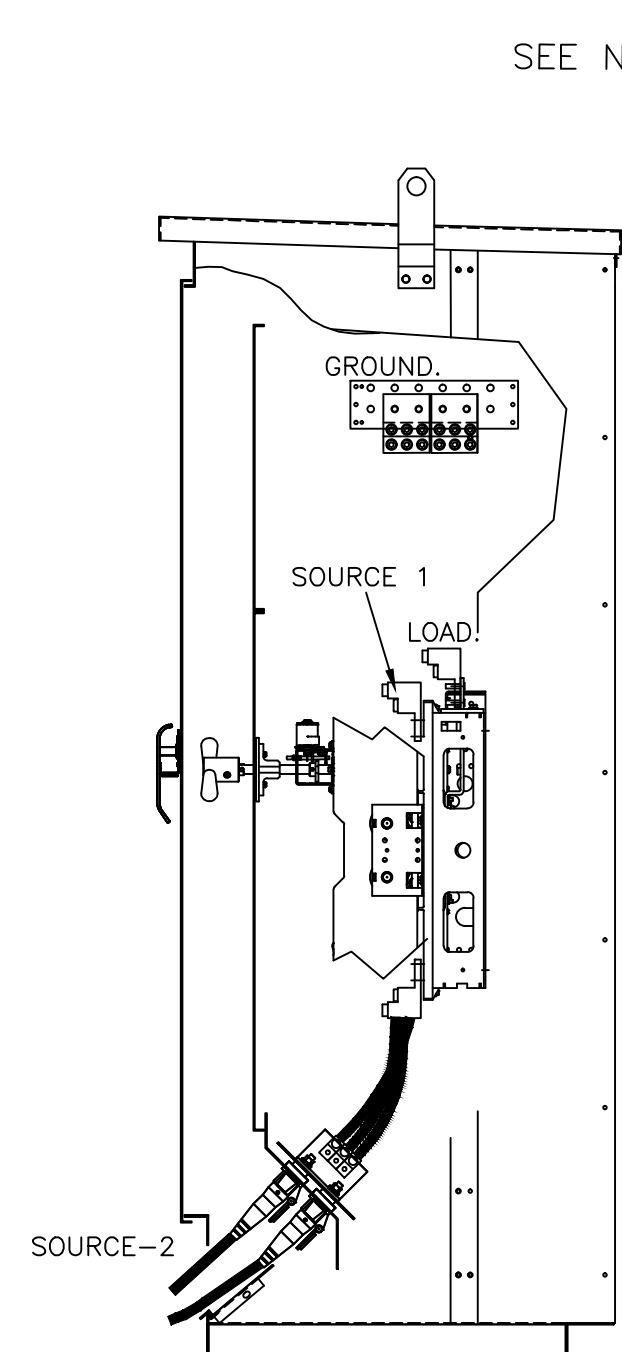
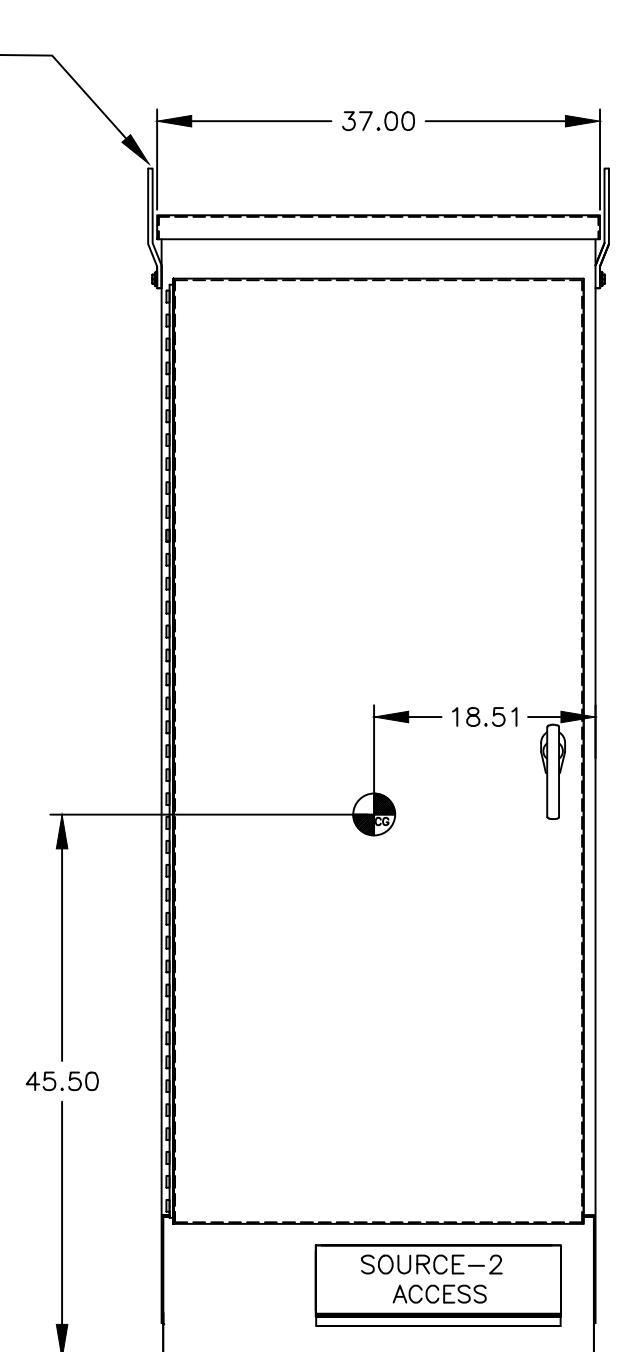


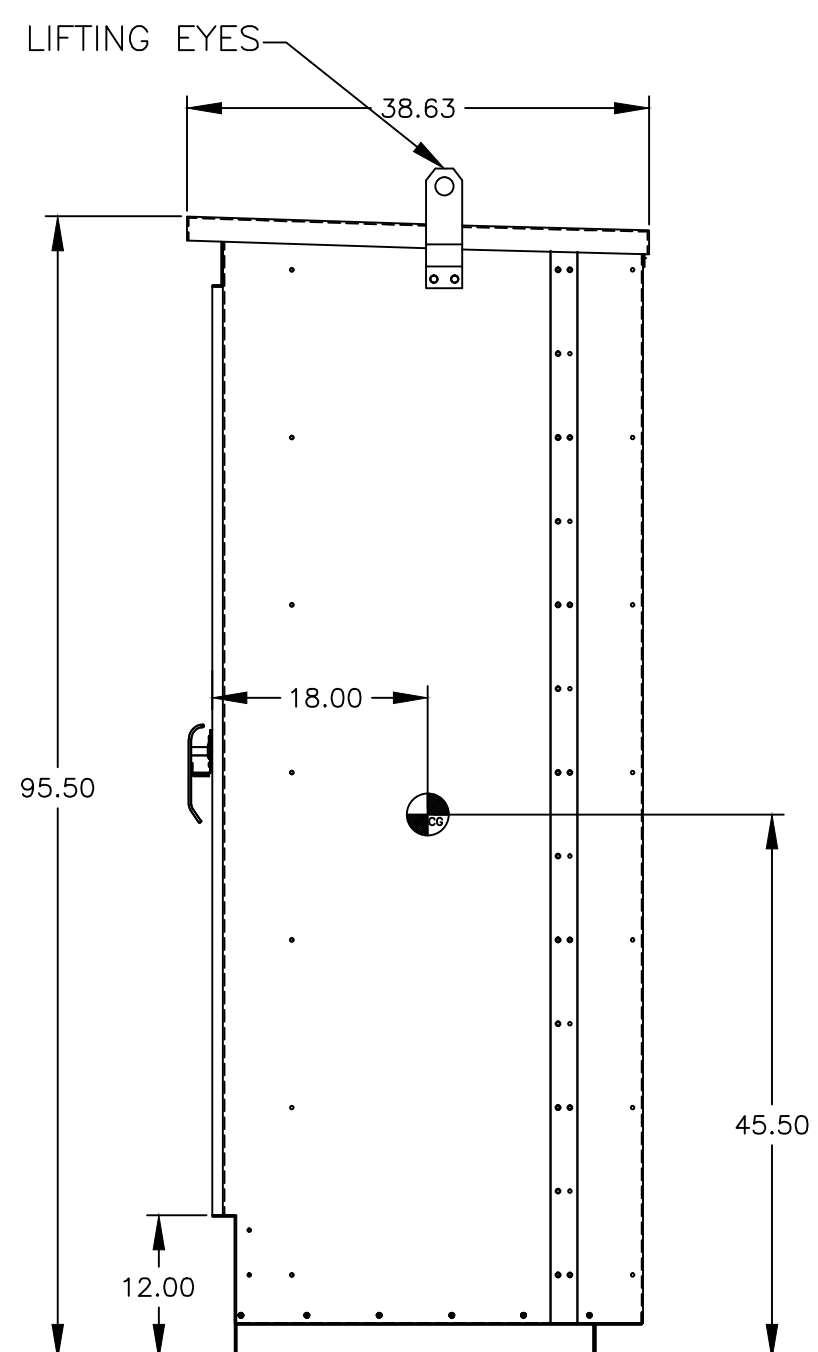
TOP VIEW



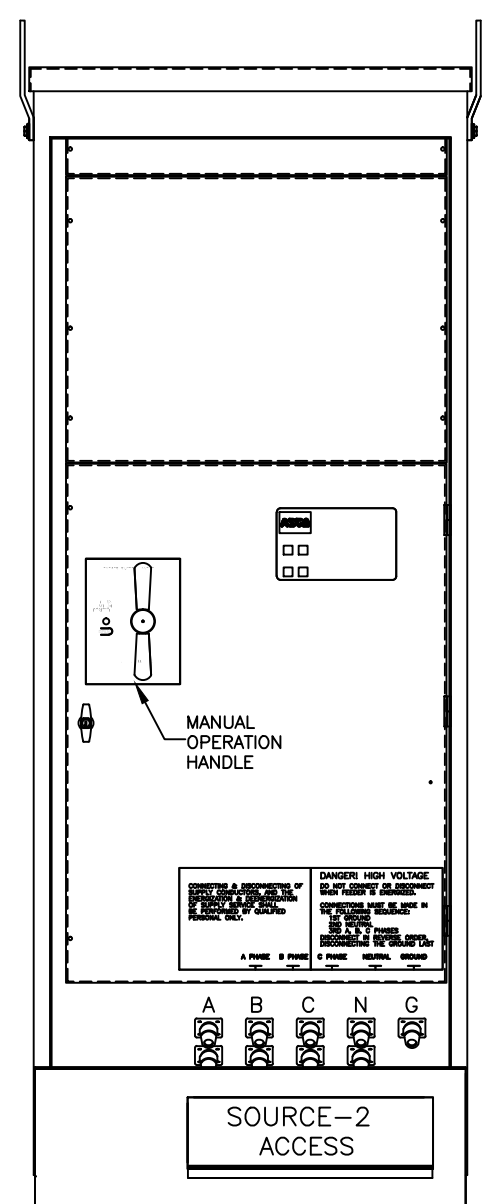
RIGHT SIDE



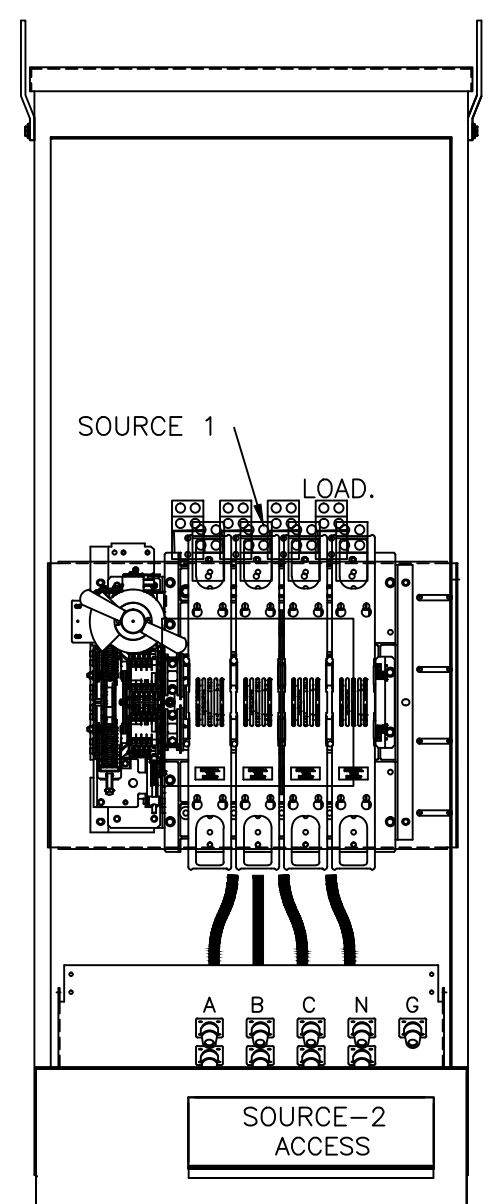
FRONT VIEW



RIGHT SIDE VIEW



FRONT VIEW WITH COVERS



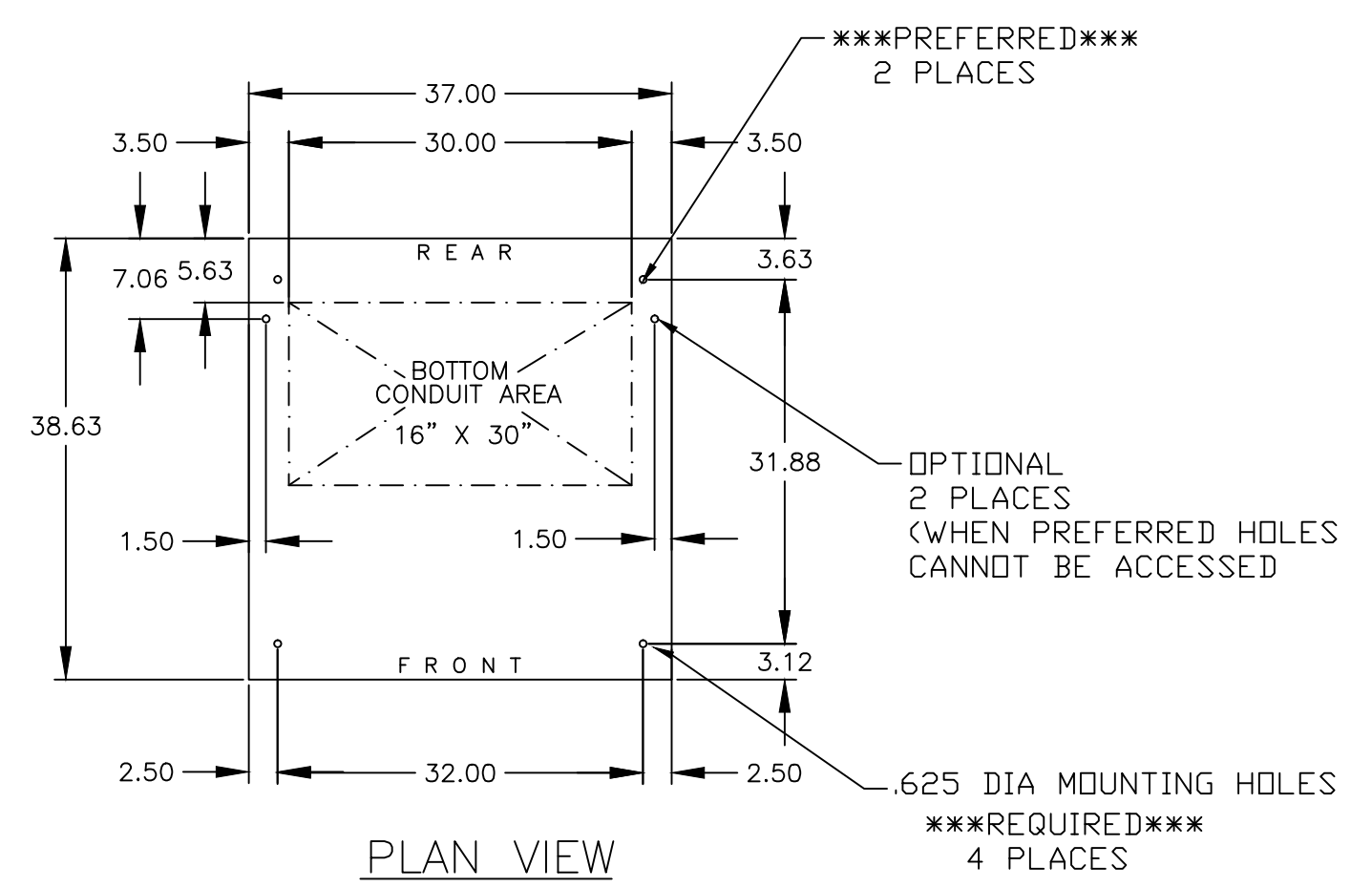
FRONT VIEW W/O COVERS

- ### GENERAL NOTES
- TYPE 3R ENCLOSURE. FREE STANDING. FLOOR MOUNTED. CODE GAUGE STEEL.
 - EXTERIOR DOORS HAVE PADLOCKABLE HANDLE WITH 3 POINT LATCH.
 - FINISH: TYPE 3R: ANSI 61 GRAY POLYESTER SEMI GLOSS ELECTROSTATIC POWDER.
TYPE 3RX(R) - EXTERIOR CONSTRUCTED OF CODE GAUGE TYPE 304 STAINLESS STEEL.
TYPE 3RX(S) - EXTERIOR CONSTRUCTED OF CODE GAUGE TYPE 316 STAINLESS STEEL
 - RECOMMENDED CLEARANCES:
FRONT: 38 INCHES
 - ALL BUS IS SILVER-PLATED COPPER, BASED ON 1000A PER SQ. IN. DENSITY.
 - A FULL RATED NEUTRAL CONNECTION FOR EACH SOURCE AND THE LOAD IS OPTIONAL. WHEN PROVIDED IT IS IN ONE OF THE FOLLOWING FORMATS AS SPECIFIED BY THE CATALOG NO. NEUTRAL TYPE;
A. SOLID (COPPER BUS) NEUTRAL.
B. SWITCH (COPPER BUS) NEUTRAL.
 - DESIGNED FOR FRONT ACCESS
 - FOR SPECIFIED TRANSFER SWITCH, REFER TO OPERATOR'S MANUAL PROVIDED WITH UNIT.
 - LIFTING PLATES: SECTIONS ARE SUPPLIED WITH LIFTING PLATES.
INSPECT PLATES FOR DAMAGE AND TORQUE BOLTS TO 45 FT LBS BEFORE USE.
REFER TO ANSI/NEMA PB 2.1 FOR PROPER HANDLING OF EQUIPMENT.
AFTER INSTALLATION OF SECTION, REMOVE LIFTING PLATES.
REINSTALL BOLTS INTO EXTERIOR HOLES AND TORQUE TO APPROX. 20 FT LBS.
 - CENTER OF GRAVITY.
 - APPROXIMATE WEIGHT: 1250 LBS

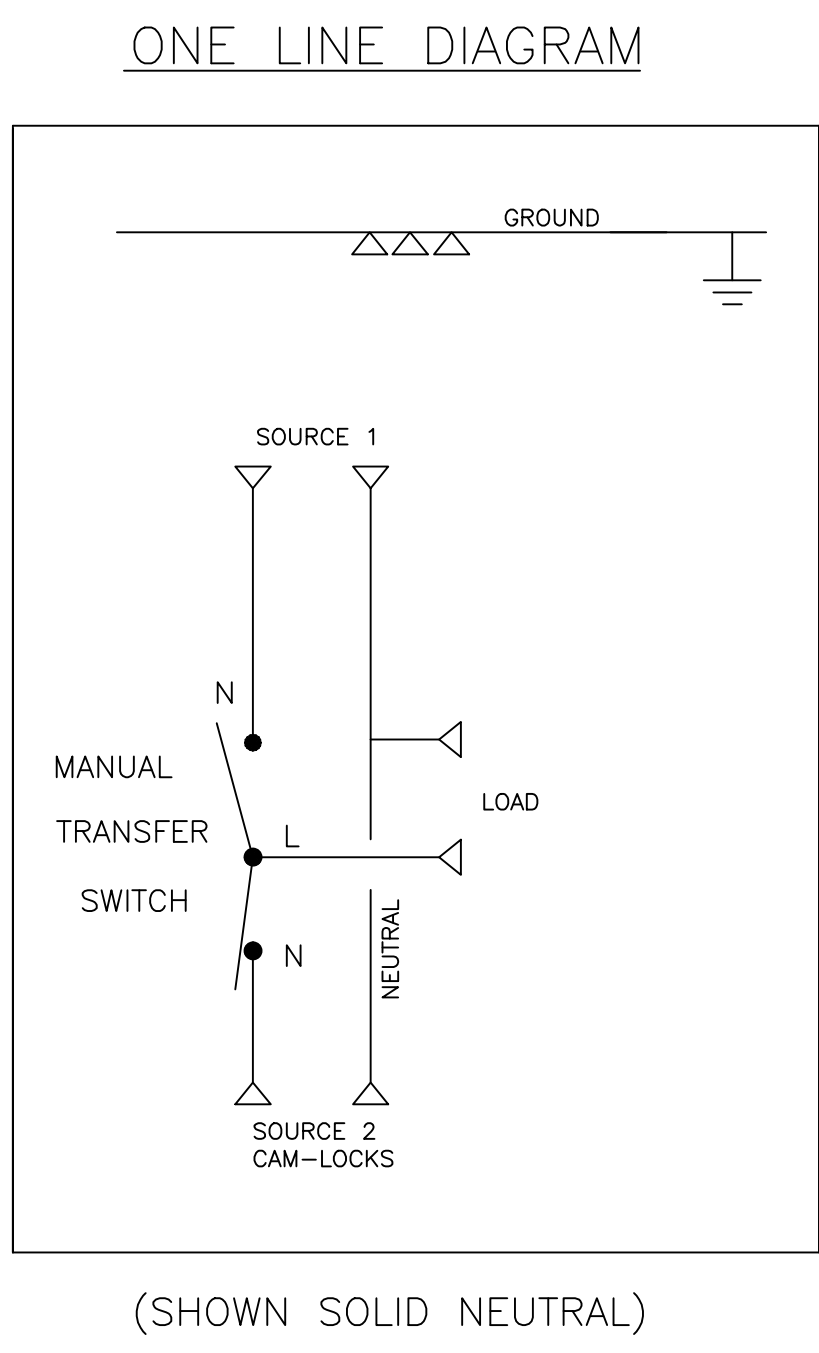
- ### SPECIFICATIONS
- SYSTEM RATING: 600-800 AMPS, 3 ϕ , 4W OR 1 ϕ , 3W.
SHORT CIRCUIT RATING- SOURCE-1: 65,000 RMS SYM AMPERES @ 480V.
SOURCE-2: 22,000 RMS SYM AMPERES @ 480V
 - NEUTRAL BUS: 100% RATED.
 - GROUND BUS: 20% RATED.
 - APPLICABLE LABELS: U.L. 891

- ### TERMINATIONS 600 AMPS
- SUPPLIED WITH MECHANICAL (SCREW TYPE) LUGS SUITABLE FOR CU/AL CABLE .
SOURCE 1: (2) #2 AWG - 600MCM PER PHASE & NEUTRAL
LOAD: (2) #2 AWG - 600MCM PER PHASE & NEUTRAL
SOURCE 2: (2) 1016 SERIES SINGLE POLE CAM LOCK MALE RECEPTALS PER PHASE & NEUTRAL
GROUND: (6) 1/0 -600MCM
SUITABLE WIRE BENDING SPACE IS PROVIDED AS PER THE NEC
 - CONSULT FACTORY FOR OTHER TERMINATION REQUIREMENTS.

- ### TERMINATIONS 800 AMPS
- SUPPLIED WITH MECHANICAL (SCREW TYPE) LUGS SUITABLE FOR CU/AL CABLE .
SOURCE 1: (4) #2 AWG - 600MCM PER PHASE & NEUTRAL
LOAD: (4) #2 AWG - 600MCM PER PHASE & NEUTRAL
SOURCE 2: (2) 1016 SERIES SINGLE POLE CAM LOCK MALE RECEPTALS PER PHASE & NEUTRAL
GROUND: (12) 1/0 -600MCM
SUITABLE WIRE BENDING SPACE IS PROVIDED AS PER THE NEC
 - CONSULT FACTORY FOR OTHER TERMINATION REQUIREMENTS.



PLAN VIEW



PROJECT NAME:		REV. TO SHEET	ECN NO.	BY	APP.	DATE
OUTLINE		MOUNTING				
HMTQ 600-800A, SOURCE 1 ,CAMLOCKS ON SOURCE 2						
TYPE 3R/3RX 96 X 37 X 39						
BY	DATE	MANUFACTURING TOLERANCES TO BE IN ACCORDANCE WITH ASCO PROCEDURE MP-1-003. FOR PLASTIC PARTS SEE MP-1-005		ASSEM. REF. NO.	COMPUTER GENERATED DRAWING	
DRAWN BY	LY	6/12/17			SCALE 1/16" = 1" SIZE DS	
CHECKED	RN		PROPERTY OF ASCO POWER TECHNOLOGIES. USE PERMITTED FOR OUR WORK ONLY. ALL RIGHTS OF DESIGN OR INVENTION ARE RESERVED.		DWG. NO.	
PROJECT APPROVAL					977100-002	
FINAL APPROVAL			ASCO® ASCO POWER TECHNOLOGIES, L.P. FLORHAM PARK, NEW JERSEY 07932 U.S.A.		DRAWING B REV. B	ECN NO. 271893 SHEET 1 OF 1