

GENERAL NOTES

- TYPE 1 ENCLOSURE. FREE STANDING. FLOOR MOUNTED. CODE GAUGE STEEL.
- DOORS HAVE LOCKABLE HANDLES WITH COMMON KEYING AND CAPTIVE SCREWS.
- FINISH: ANSI 61 GRAY POLYESTER SEMI GLOSS ELECTROSTATIC POWDER.
- RECOMMENDED CLEARANCES:
FRONT: 38.00" INCHES, REAR: NONE
- A FULL RATED NEUTRAL CONNECTION FOR EACH SOURCE AND THE LOAD IS OPTIONAL.
WHEN PROVIDED IT IS AS SPECIFIED BY THE CATALOG NO.
A. SOLID (COPPER BUS) NEUTRAL
B. SWITCHED NEUTRAL POLE
- DESIGNED FOR FRONT ACCESS.
- FOR SPECIFIED TRANSFER SWITCH, REFER TO OPERATOR'S MANUAL PROVIDED WITH UNIT.
- CENTER OF GRAVITY.
- APPROXIMATE WEIGHT: 530 LBS

SPECIFICATIONS

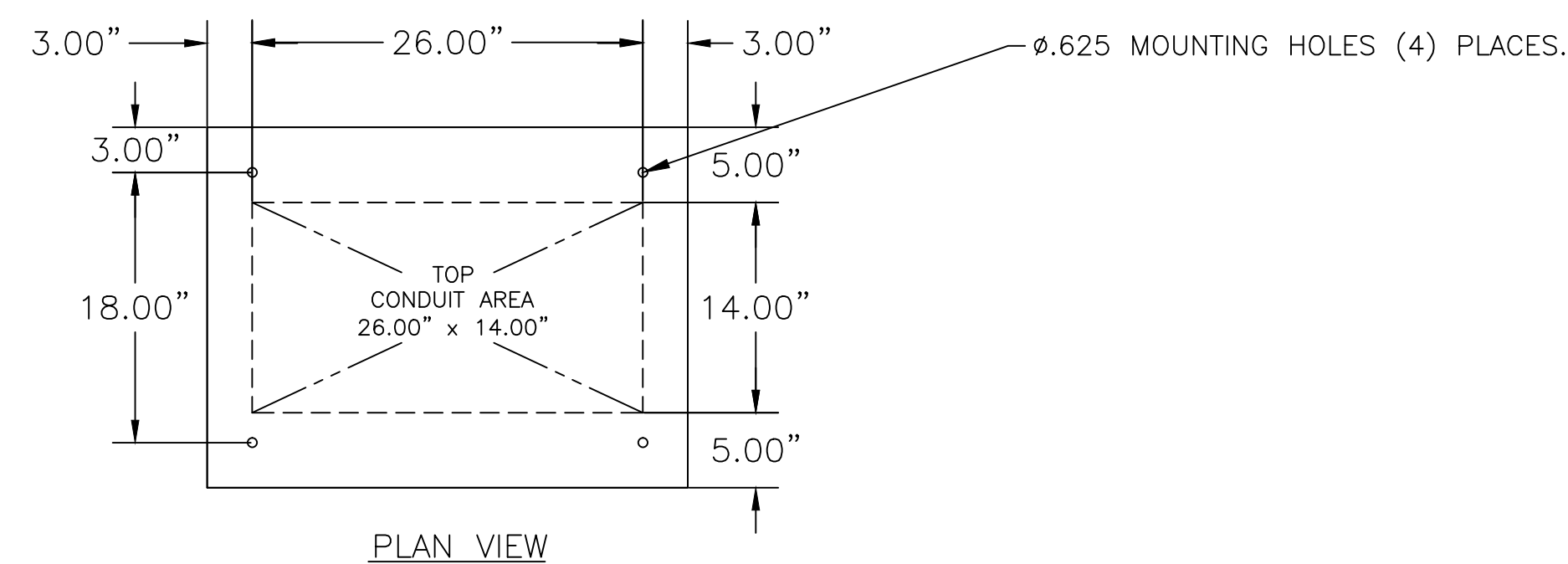
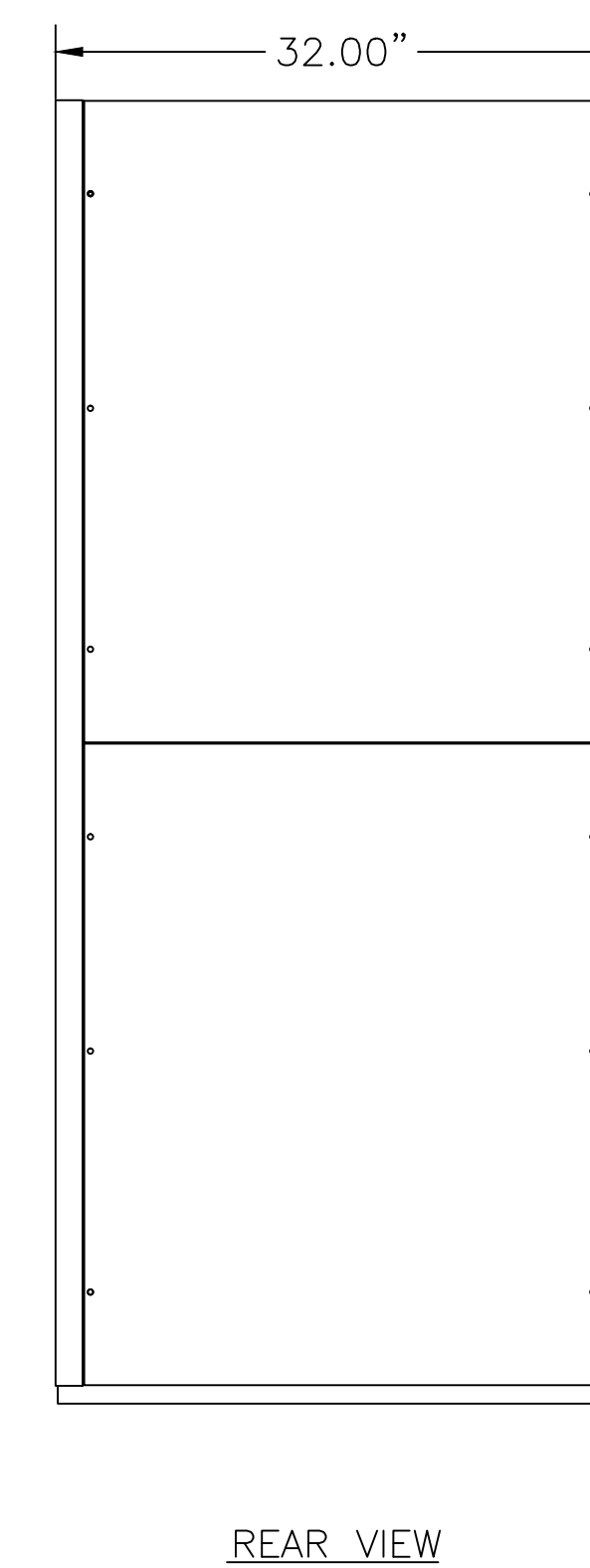
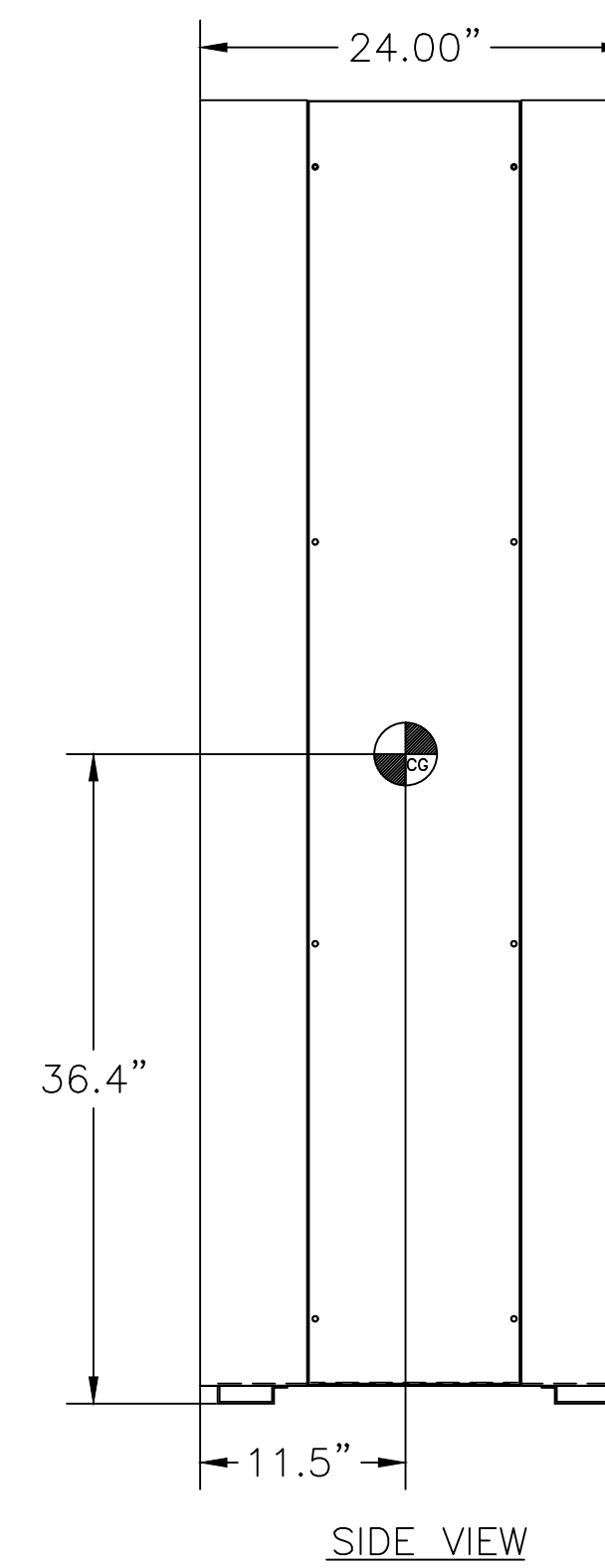
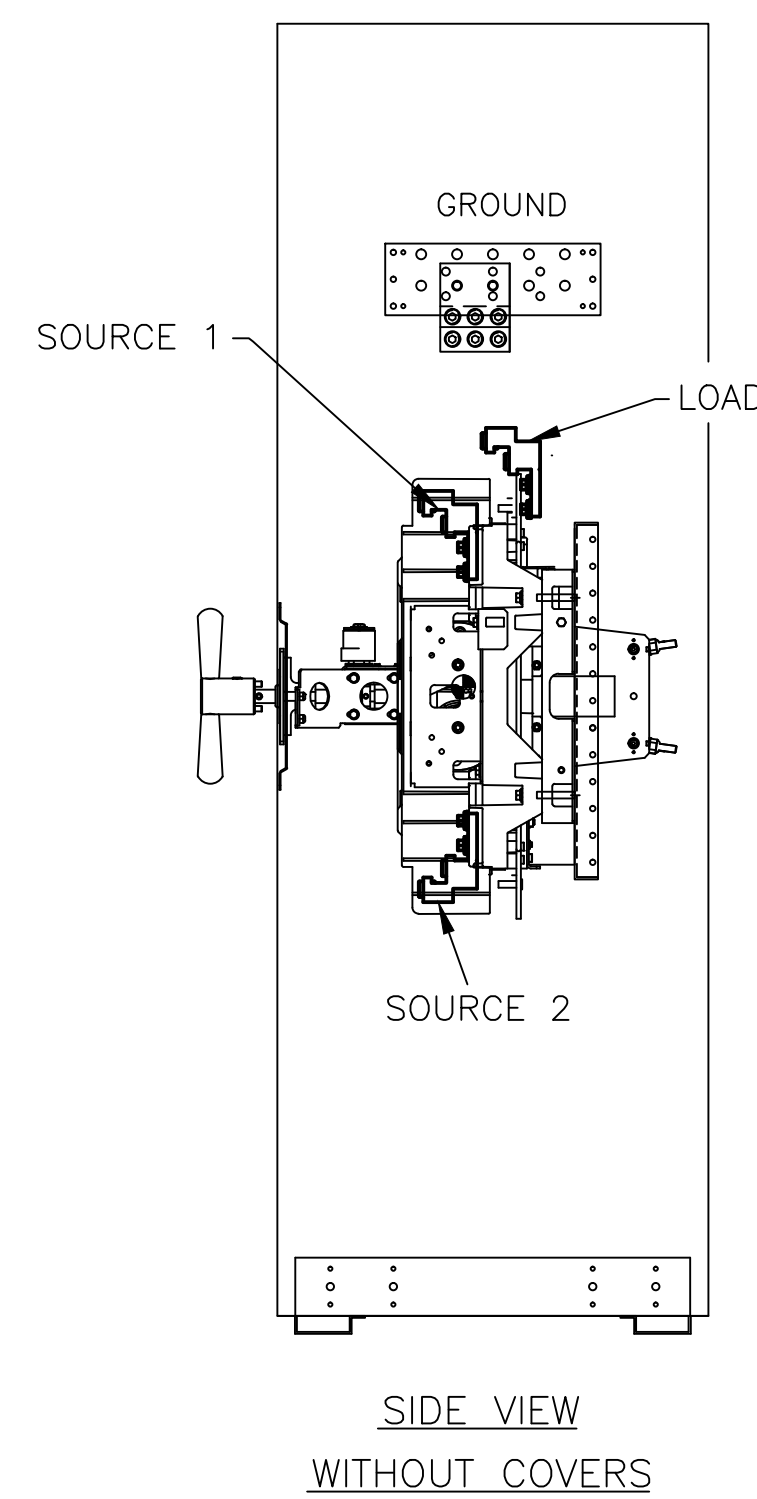
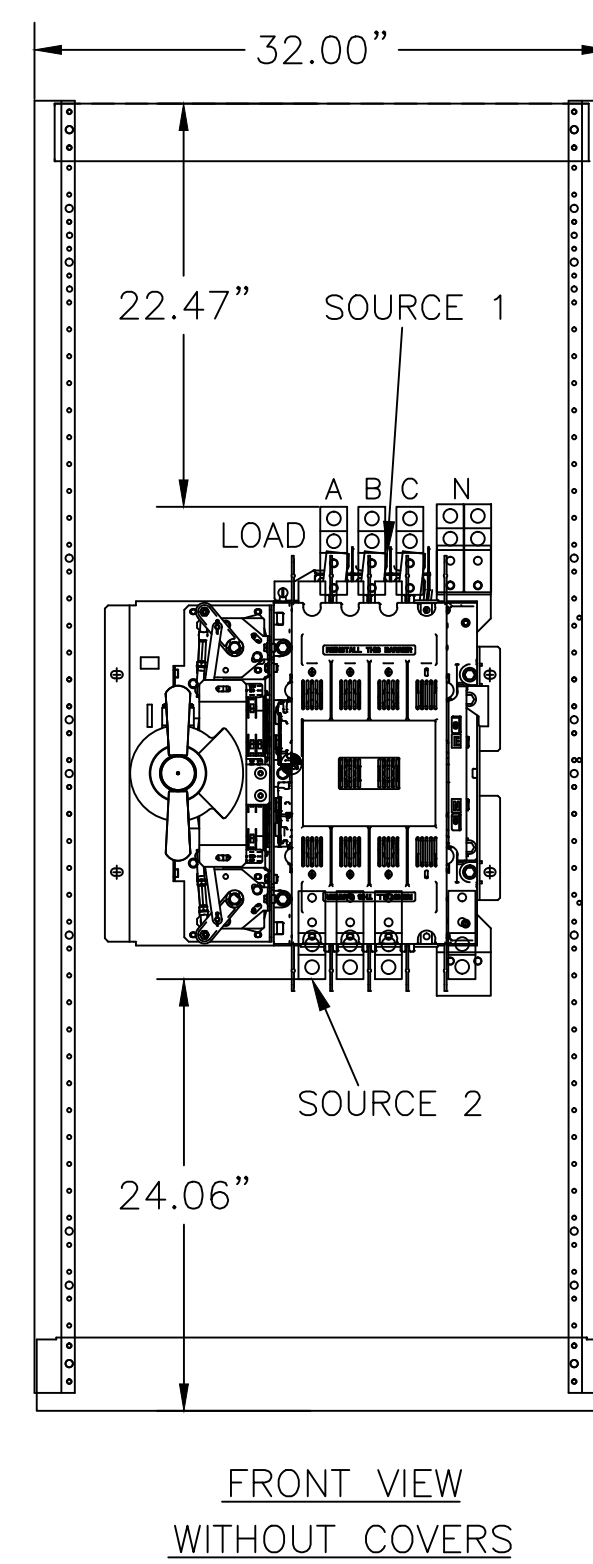
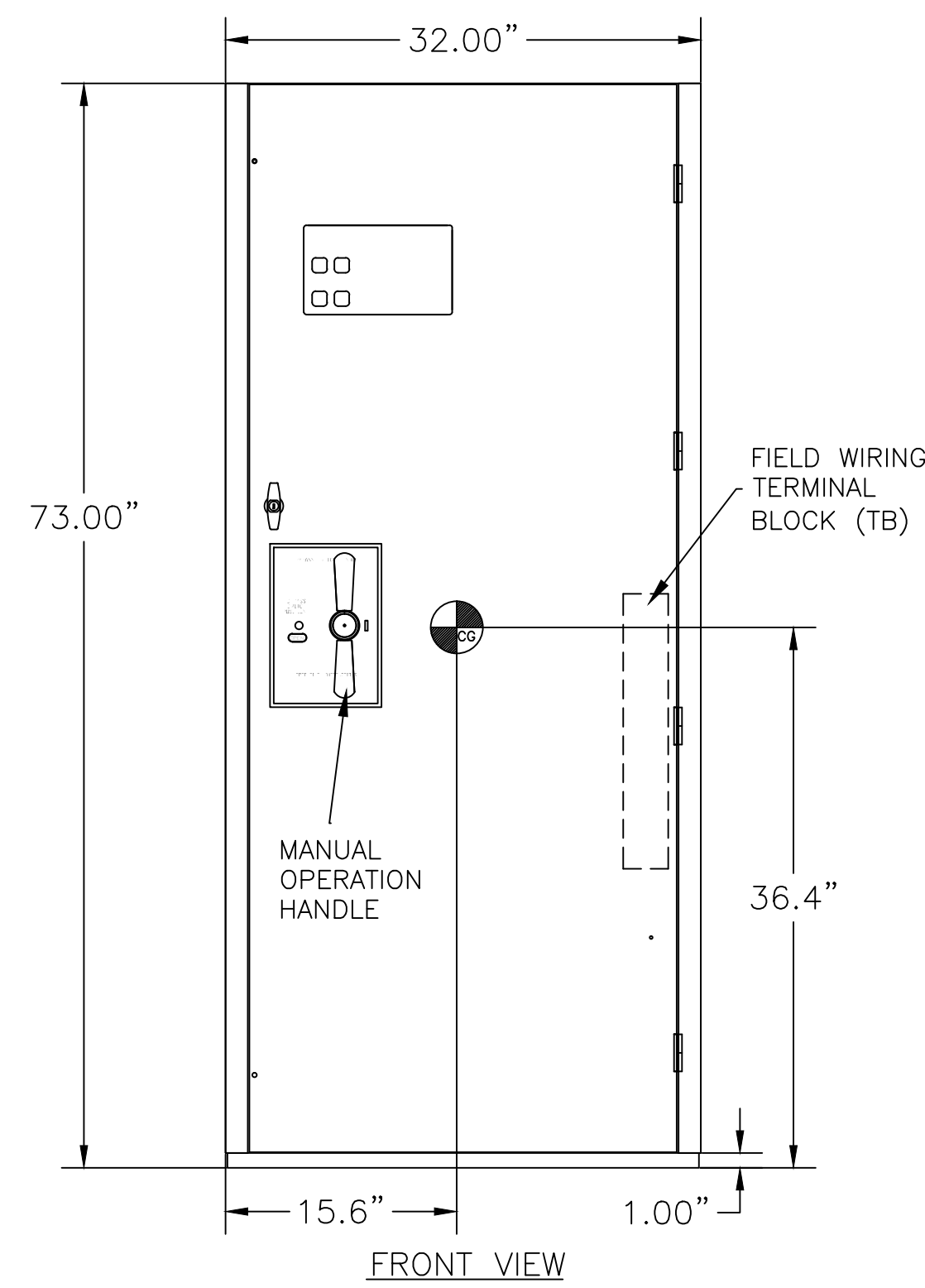
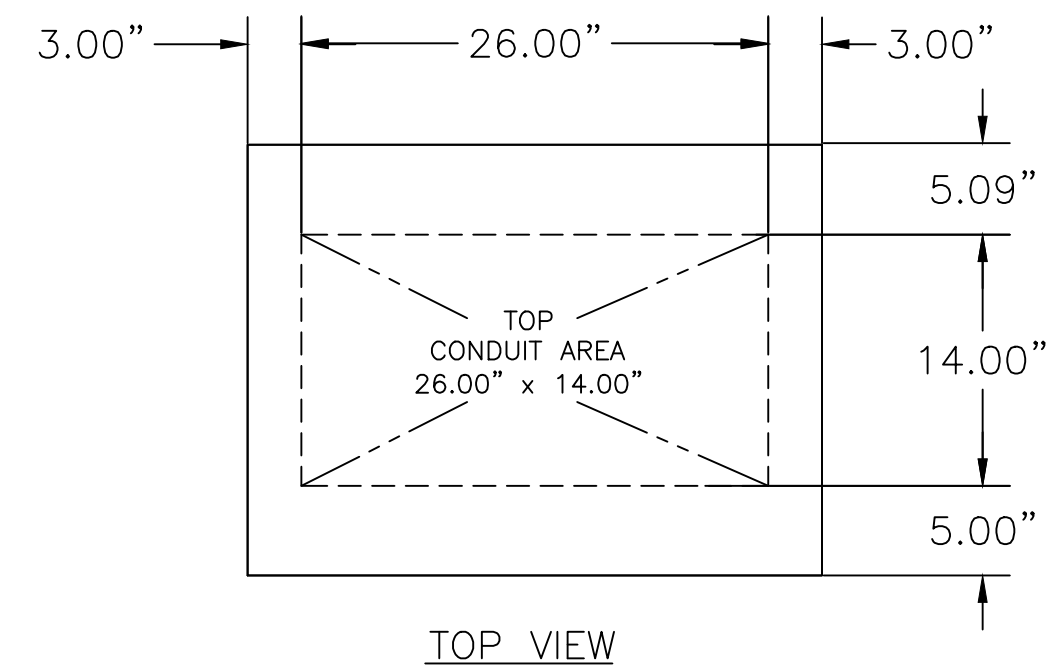
- SERVICE VOLTAGE:
SYSTEM RATING: 150 AMPS, 260 AMPS, 400 AMPS, 600 AMPS, 3 ϕ , 4W OR 1 ϕ , 3W.
GROUND BUS- 20% RATED BUS IS PROVIDED.
SHORT CIRCUIT RATING- 42,000 RMS SYM AMPERES @ 480V (.05 TIME BASED)
- NEUTRAL BUS: 100% WHEN REQUIRED
- APPLICABLE LABELS: U.L. 1008.

TERMINATIONS 150-400 AMPS

- SUPPLIED WITH MECHANICAL (SCREW TYPE) LUGS SUITABLE FOR CU/AL CABLE .
SOURCE 1: (2) 1/0 AWG-250MCM PER PHASE AND NEUTRAL OR
(1) #4-600MCM PER PHASE AND NEUTRAL
SOURCE 2: (2) 1/0 AWG-250MCM PER PHASE AND NEUTRAL OR
(1) #4-600MCM PER PHASE AND NEUTRAL
LOAD: (2) 1/0 AWG-250MCM PER PHASE AND NEUTRAL OR
(1) #4-600MCM PER PHASE AND NEUTRAL
GROUND: (6) 1/0 AWG - 750 MCM

TERMINATIONS 600 AMPS

- SUPPLIED WITH MECHANICAL (SCREW TYPE) LUGS SUITABLE FOR CU/AL CABLE .
SOURCE 1: (2) #2 AWG-600MCM PER PHASE AND NEUTRAL
SOURCE 2: (2) #2 AWG-600MCM PER PHASE AND NEUTRAL
LOAD: (2) #2 AWG-600MCM PER PHASE AND NEUTRAL
GROUND: (6) 1/0 AWG - 750 MCM



B	269192	BCG	RN	9/26/17
SEE ECN				
A	268017	LY		8/22/17
SEE ECN				
-	261464	LY		6/7/16
ISSUE				

PROJECT NAME:		REV. TO SHEET	ECN NO.	BY	APP.	DATE
OUTLINE		MOUNTING				
JMETS 150A - 600A						
TYPE 1 73 X 32 X 24						
BY	DATE	MANUFACTURING TOLERANCES TO BE IN ACCORDANCE WITH ASCO PROCEDURE MP-1-003. FOR PLASTIC PARTS SEE MP-1-005		ASSEM. REF. NO.	COMPUTER GENERATED DRAWING	
DRAWN BY	LY	6/7/16			SCALE	SIZE DS
CHECKED					PROPERTY OF ASCO POWER TECHNOLOGIES. USE PERMITTED FOR OUR WORK ONLY. ALL RIGHTS OF DESIGN OR INVENTION ARE RESERVED.	
PROJECT APPROVAL					DWG. NO.	
FINAL APPROVAL					977099-001	
					ASCOPower TECHNOLOGIES, L.P. FLORHAM PARK, NEW JERSEY 07932 U.S.A.	DRAWING B REV. B
					ECN NO. 269192	SHEET 1 OF 1