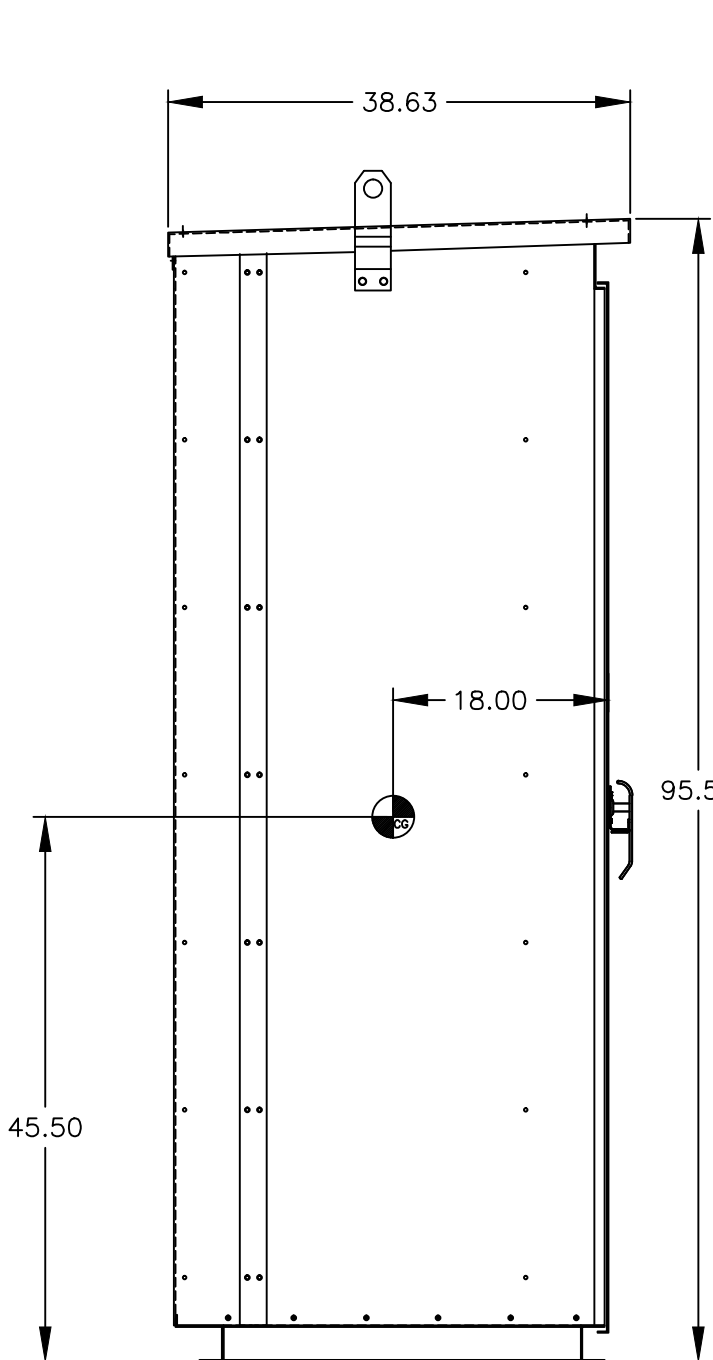
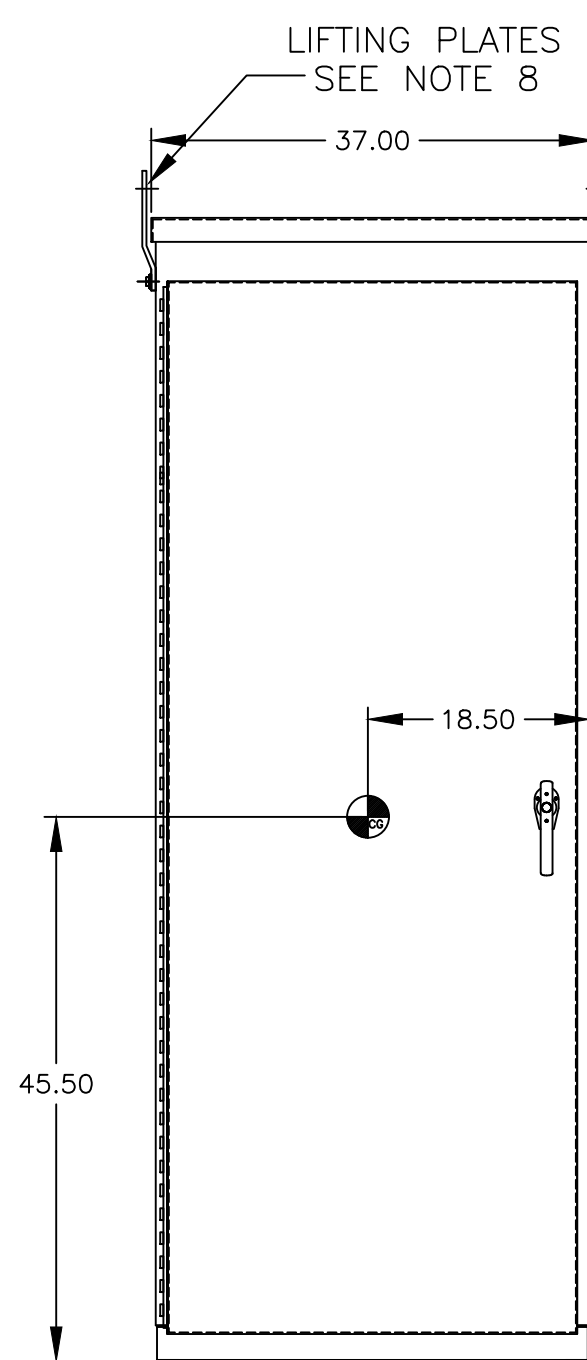


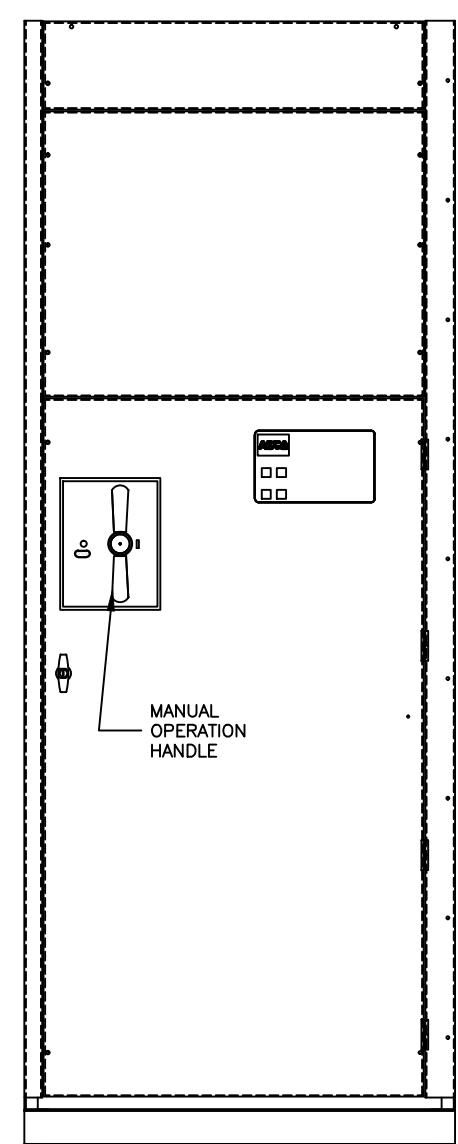
TOP VIEW



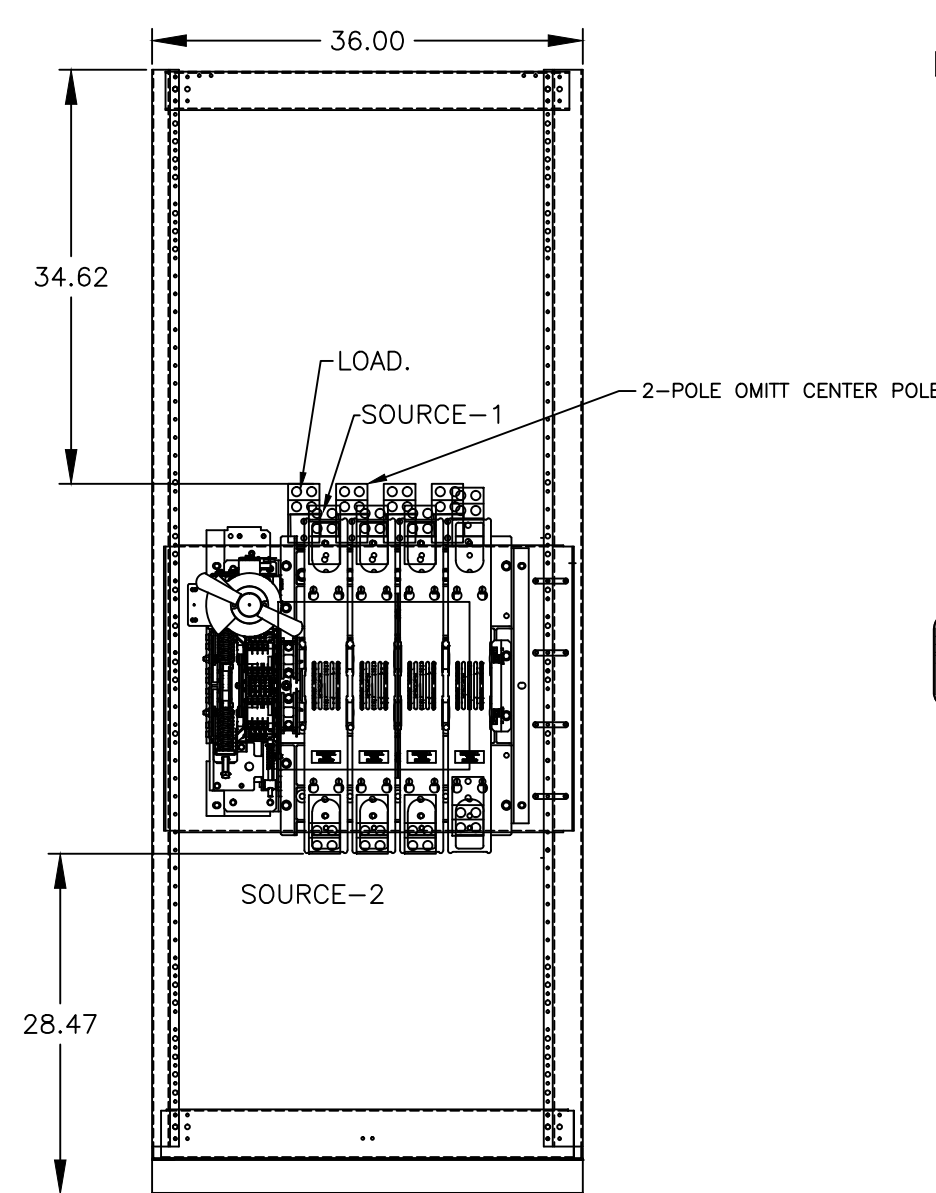
LEFT SIDE VIEW



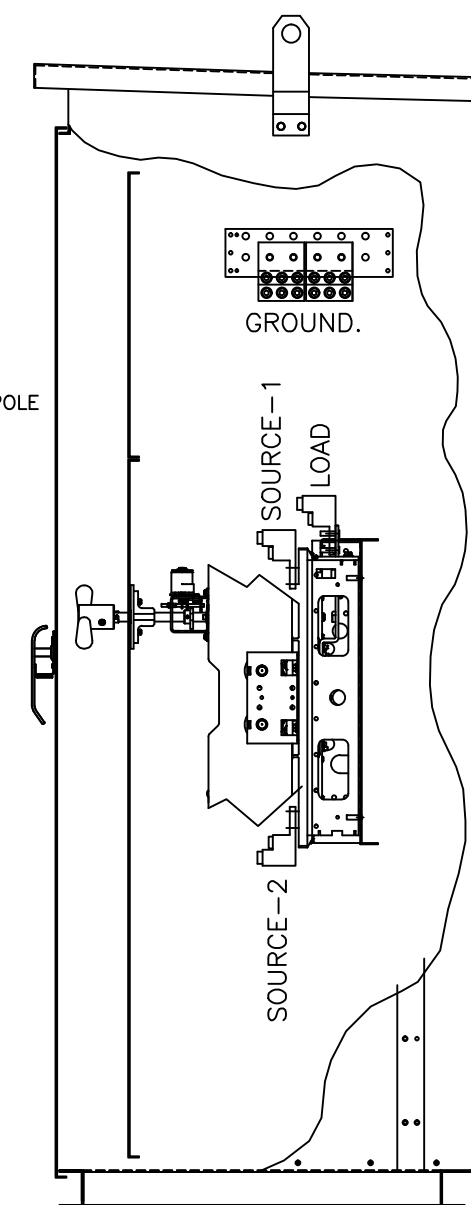
FRONT VIEW



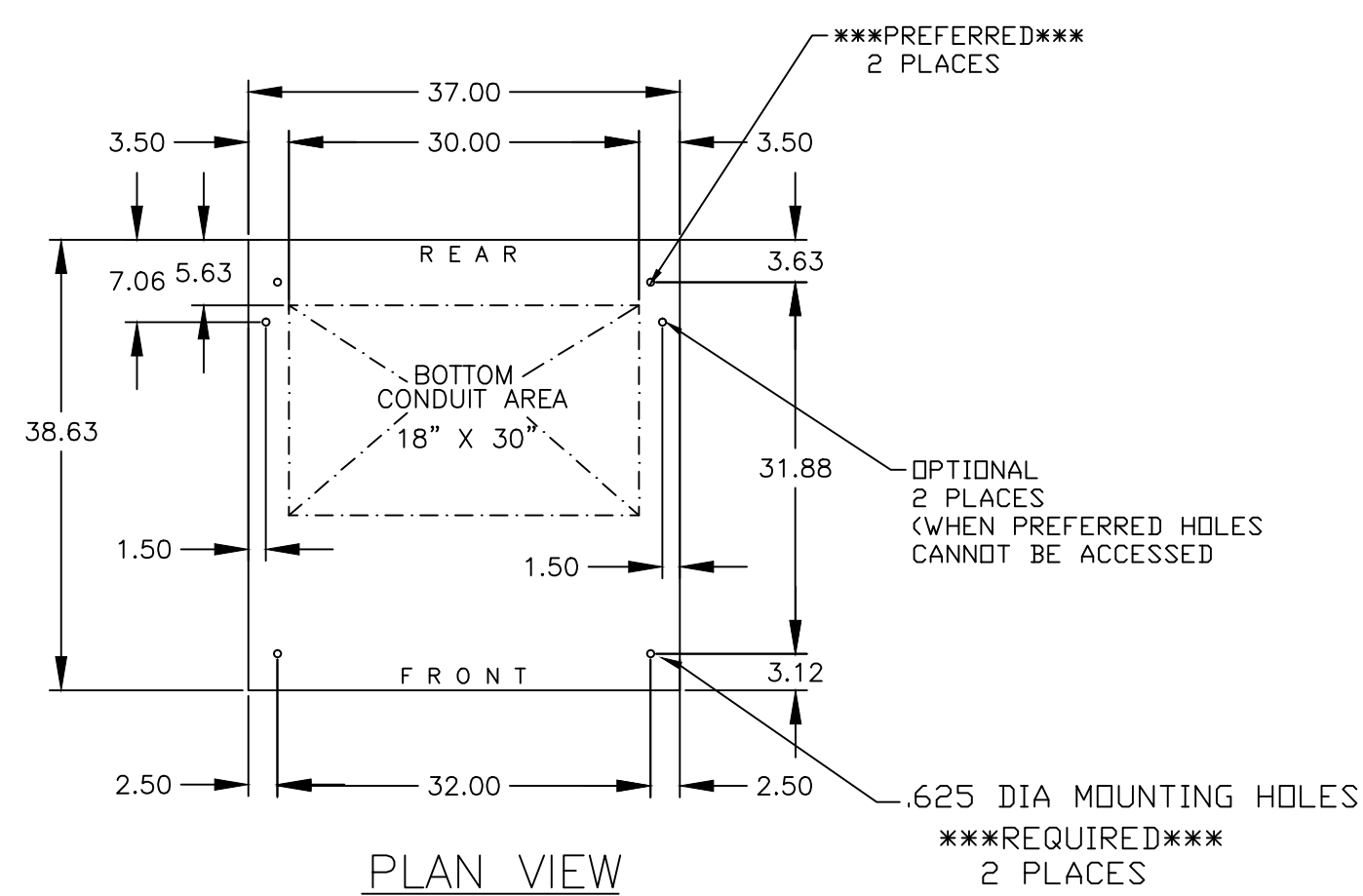
FRONT VIEW WITHOUT EXTERIOR DOOR



FRONT VIEW WITHOUT COVERS



RIGHT SIDE VIEW



PLAN VIEW

GENERAL NOTES

- FLOOR MOUNTED ENCLOSURE.  
TYPE 3R CONSTRUCTED FROM CODE GAUGE STEEL.  
FINISH: TYPE 3R, ANSI 61 GRAY POLYESTER SEMI GLOSS ELECTROSTATIC POWDER.  
TYPE 3RX EXTERIOR CONSTRUCTED FROM CODE GAUGE STAINLESS STEEL.  
(R) EXTERIOR CONSTRUCTED FROM TYPE 304 STAINLESS STEEL.  
(S) EXTERIOR CONSTRUCTED FROM TYPE 316 STAINLESS STEEL.
- EXTERIOR DOORS HAVE PADLOCKABLE HANDLES WITH 3-POINT LATCH
- DESIGNED FOR FRONT ACCESS.
- RECOMMENDED CLEARANCES: FRONT: 38" REAR: NONE"
- LIFTING PLATES: SECTIONS ARE SUPPLIED WITH LIFTING PLATES. INSPECT PLATES FOR DAMAGE AND TORQUE BOLTS TO 45 FT LBS BEFORE USE. REFER TO ANSI/NEMA PB 2.1 FOR PROPER HANDLING OF EQUIPMENT. AFTER INSTALLATION OF SECTION, REMOVE LIFTING PLATES. REINSTALL BOLTS INTO EXTERIOR HOLES AND TORQUE TO APPROXIMATELY 20 FT LBS.
- CENTER OF GRAVITY
- APPROXIMATE WEIGHT: 1250 LB.

TRANSFER SWITCH

- H FRAME AUTOMATIC TRANSFER SWITCH.
- TRANSFER SWITCH RATING: 600 AMPS, 800 AMPS, 1000 AMPS.  
SHORT CIRCUIT RATING WHEN PROTECTED BY A CIRCUIT BREAKER  
TIME RESPONSE, MAXIMUM 0.05 SECONDS: 50,000 RMS SYM @ 480V.  
SPECIFIC BREAKER RATING: 65,000 RMS SYM @ 480V.
- A FULL RATED NEUTRAL CONNECTION FOR EACH SOURCE AND THE LOAD IS OPTIONAL. WHEN PROVIDED IT IS IN ONE OF THE FOLLOWING FORMATS.  
A. SOLID NEUTRAL  
B. SWITCHED NEUTRAL POLE
- UL 1008

TERMINATIONS 600A

- SUPPLIED WITH MECHANICAL (SCREW TYPE) LUGS FOR CU/AL CABLE.  
SOURCE 1: (2) #2 - 600MCM PER PHASE & NEUTRAL  
SOURCE 2: (2) #2 - 600MCM PER PHASE & NEUTRAL  
LOAD: (2) #2 - 600MCM PER PHASE & NEUTRAL  
GROUND: (6) 1/0 - 600MCM  
A. SUITABLE WIRE BENDING SPACE IS PROVIDED AS PER NEC.
- OPTIONAL LUGS MAY BE SUPPLIED.

TERMINATIONS 800A-1000A

- SUPPLIED WITH MECHANICAL (SCREW TYPE) LUGS FOR CU/AL CABLE.  
SOURCE 1: (4) 1/0 - 600MCM PER PHASE & NEUTRAL  
SOURCE 2: (4) 1/0 - 600MCM PER PHASE & NEUTRAL  
LOAD: (4) 1/0 - 600MCM PER PHASE & NEUTRAL  
GROUND: (12) 1/0 - 600MCM  
A. SUITABLE WIRE BENDING SPACE IS PROVIDED AS PER NEC.
- OPTIONAL LUGS MAY BE SUPPLIED.

C	277550	NC	RN	3/6/19
B	272782	NC	RN	6/20/18
A	270995	SY	RN	02/08/18
-	265925	LY	RN	3/7/17

PROJECT NAME:		REV. TO SHEET	ECN NO.	BY	APP.	DATE
OUTLINE		MOUNTING				
HMTS 600-1000 AMPS						
TYPE 3R/3RX 96 X 37 X 39						
BY	DATE	MANUFACTURING TOLERANCES TO BE IN ACCORDANCE WITH ASCO PROCEDURE MP-1-003. FOR PLASTIC PARTS SEE MP-1-055		ASSEM. REF. NO.	SCALE 1/16" = 1" SIZE DS	
DRAWN BY	LY	3/7/17			COMPUTER GENERATED DRAWING	
CHECKED	RN	PROPERTY OF ASCO POWER TECHNOLOGIES. USE PERMITTED FOR OUR WORK ONLY. ALL RIGHTS OF DESIGN OR INVENTION ARE RESERVED.		DWG. NO. 977100-003		
PROJECT APPROVAL			ASCO® ASCO POWER TECHNOLOGIES, L.P. FLORHAM PARK, NEW JERSEY 07932 U.S.A.		DRAWING C ECN NO. 277550 SHEET 1 OF 1	
FINAL APPROVAL						