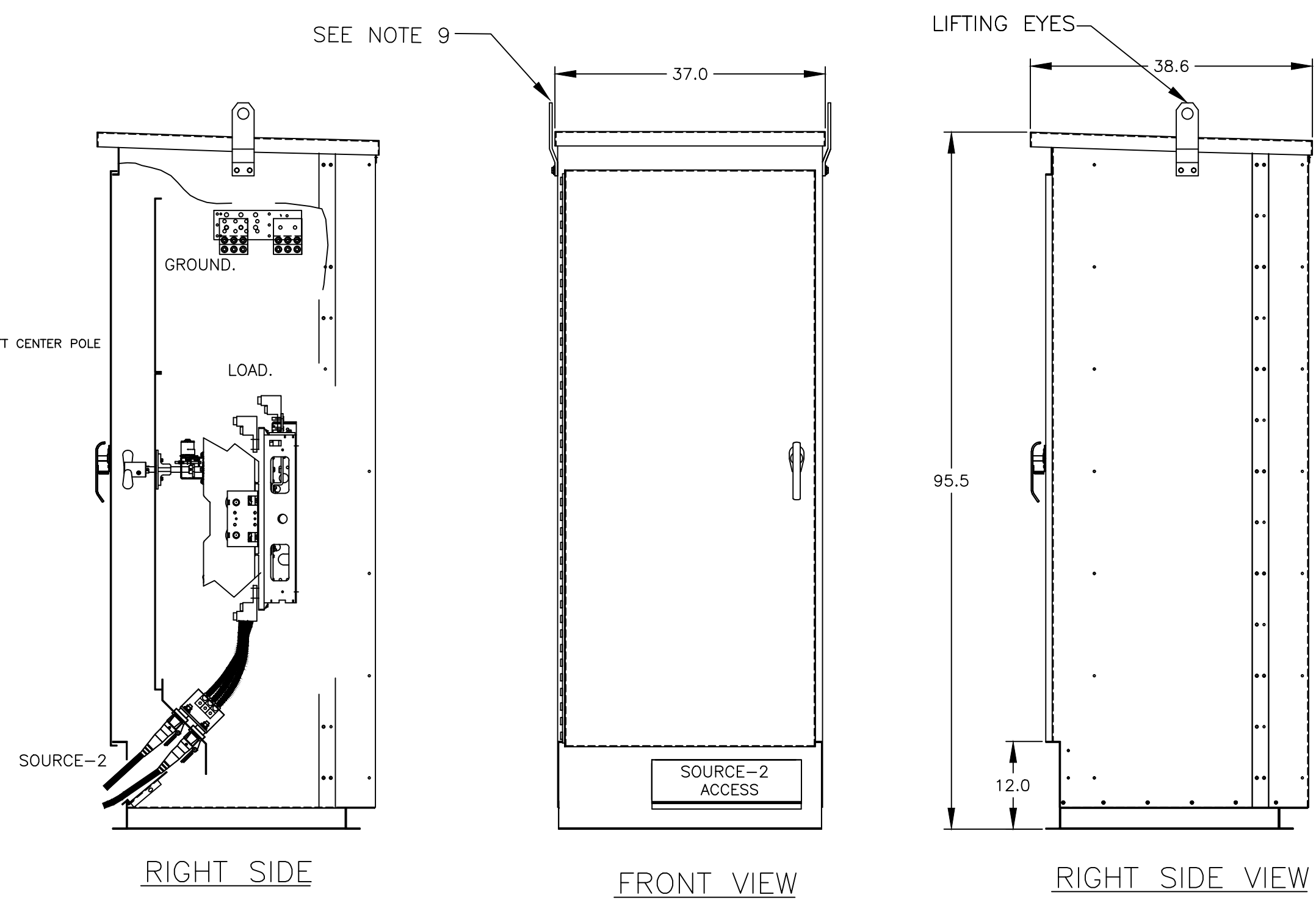


TOP VIEW



RIGHT SIDE

FRONT VIEW

RIGHT SIDE VIEW

GENERAL NOTES

- TYPE 3R ENCLOSURE. FREE STANDING. FLOOR MOUNTED. CODE GAUGE STEEL.
- EXTERIOR DOORS HAVE PADLOCKABLE HANDLE WITH 3 POINT LATCH.
- FINISH: TYPE 3R: ANSI 61 GRAY POLYESTER SEMI GLOSS ELECTROSTATIC POWDER.
TYPE 3RX(R) - EXTERIOR CONSTRUCTED OF CODE GAUGE TYPE 304 STAINLESS STEEL.
TYPE 3RX(S) - EXTERIOR CONSTRUCTED OF CODE GAUGE TYPE 316 STAINLESS STEEL
- RECOMMENDED CLEARANCES:
FRONT: 38 INCHES
- ALL BUS IS SILVER-PLATED COPPER, BASED ON 1000A PER SQ. IN. DENSITY.
- A FULL RATED NEUTRAL CONNECTION FOR EACH SOURCE AND THE LOAD IS OPTIONAL. WHEN PROVIDED IT IS IN ONE OF THE FOLLOWING FORMATS AS SPECIFIED BY THE CATALOG NO. NEUTRAL TYPE;
A. SOLID (COPPER BUS) NEUTRAL.
B. SWITCH (COPPER BUS) NEUTRAL.
- DESIGNED FOR FRONT ACCESS
- FOR SPECIFIED TRANSFER SWITCH, REFER TO OPERATOR'S MANUAL PROVIDED WITH UNIT.
- LIFTING PLATES: SECTIONS ARE SUPPLIED WITH LIFTING PLATES.
INSPECT PLATES FOR DAMAGE AND TORQUE BOLTS TO 45 FT LBS BEFORE USE.
REFER TO ANSI/NEMA PB 2.1 FOR PROPER HANDLING OF EQUIPMENT.
AFTER INSTALLATION OF SECTION, REMOVE LIFTING PLATES.
REINSTALL BOLTS INTO EXTERIOR HOLES AND TORQUE TO APROX. 20 FT LBS.
- SECTION 1 & SECTION 1T SHIP AS 1 UNIT.

SPECIFICATIONS

- SYSTEM RATING: 600-800 AMPS, 3 ϕ , 4W OR 1 ϕ , 3W.
SHORT CIRCUIT RATING- SOURCE-1: 65,000 RMS SYM AMPERES @ 480V.
SOURCE-2: 22,000 RMS SYM AMPERES @ 480V
- NEUTRAL BUS: 100% RATED.
- GROUND BUS: 20% RATED.
- APPLICABLE LABELS: U.L. 891

TERMINATIONS 600 AMPS

- SUPPLIED WITH MECHANICAL (SCREW TYPE) LUGS SUITABLE FOR CU/AL CABLE .
NORMAL: (2) 3/0 AWG - 500MCM PER PHASE & NEUTRAL
LOAD: (2) #2 AWG - 600MCM PER PHASE & NEUTRAL
SOURCE 2: (2) 1016 SERIES SINGLE POLE CAM LOCK MALE RECEPTICALS
GROUND: (6) 1/0 -600MCM

SUITABLE WIRE BENDING SPACE IS PROVIDED AS PER THE NEC
- CONSULT FACTORY FOR OTHER TERMINATION REQUIREMENTS.

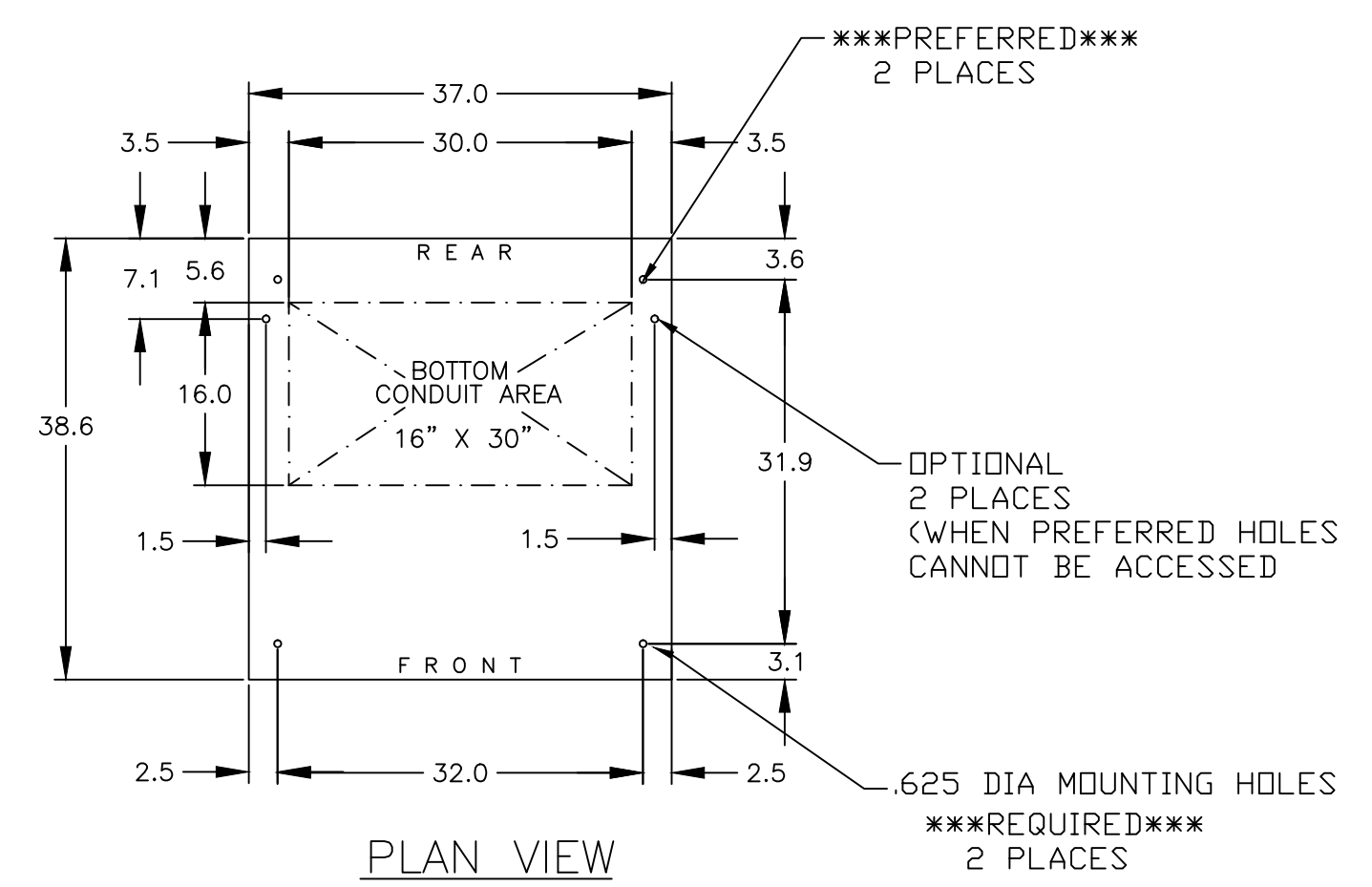
TERMINATIONS 800 AMPS

- SUPPLIED WITH MECHANICAL (SCREW TYPE) LUGS SUITABLE FOR CU/AL CABLE .
NORMAL: (3) 3/0 AWG - 500MCM PER PHASE & NEUTRAL
LOAD: (4) #2 AWG - 600MCM PER PHASE & NEUTRAL
SOURCE 2: (2) 1016 SERIES SINGLE POLE CAM LOCK MALE RECEPTICALS
GROUND: (12) 1/0 -600MCM

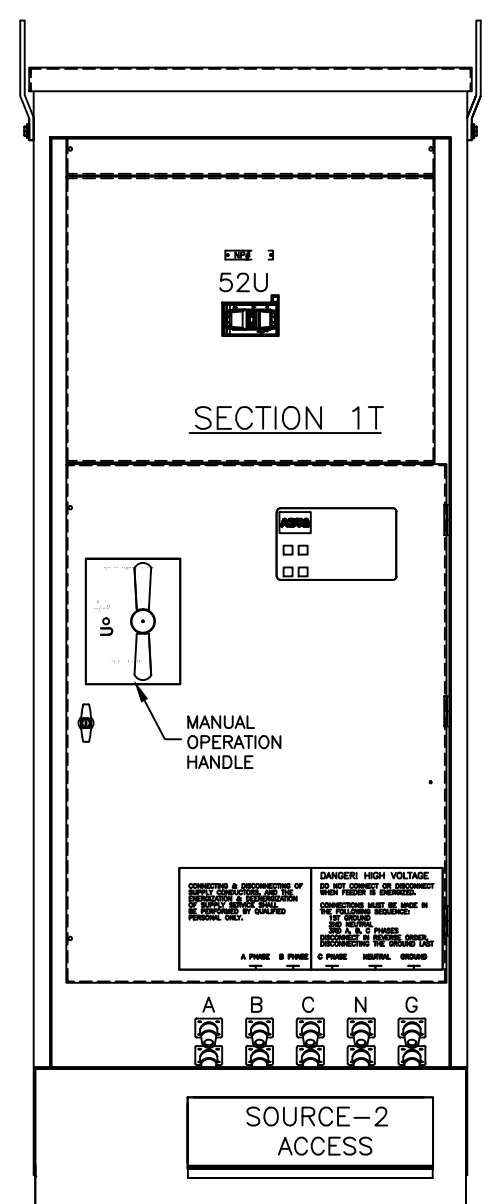
SUITABLE WIRE BENDING SPACE IS PROVIDED AS PER THE NEC
- CONSULT FACTORY FOR OTHER TERMINATION REQUIREMENTS.

CIRCUIT BREAKER: ITEM 52U

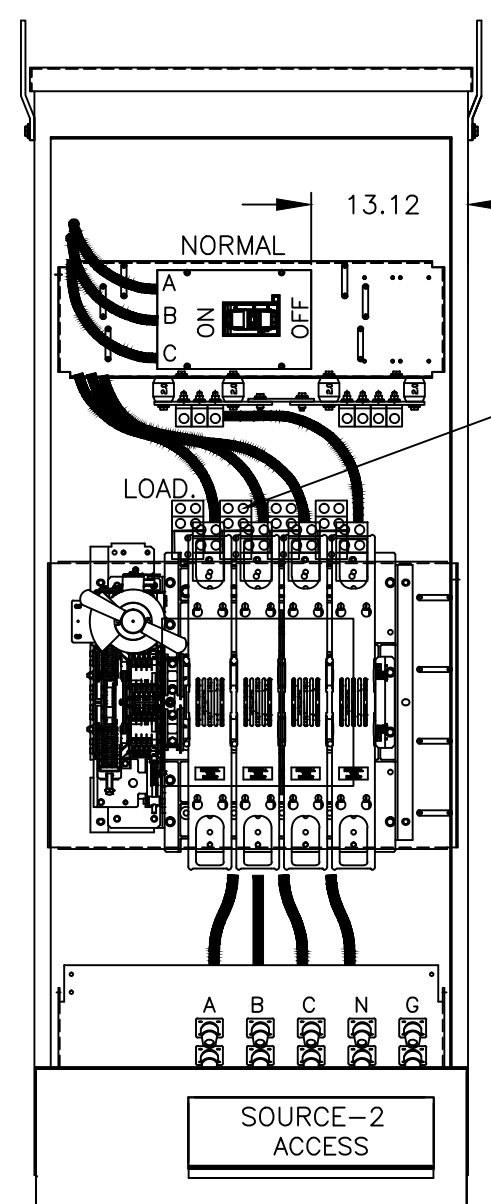
SQUARE "D" 80% RATED, TYPE 'M'JL', 800AF/800AT, 800AF/700AT, 800AF/600AT MOLDED CASE, ELECTRONIC TRIP.



PLAN VIEW

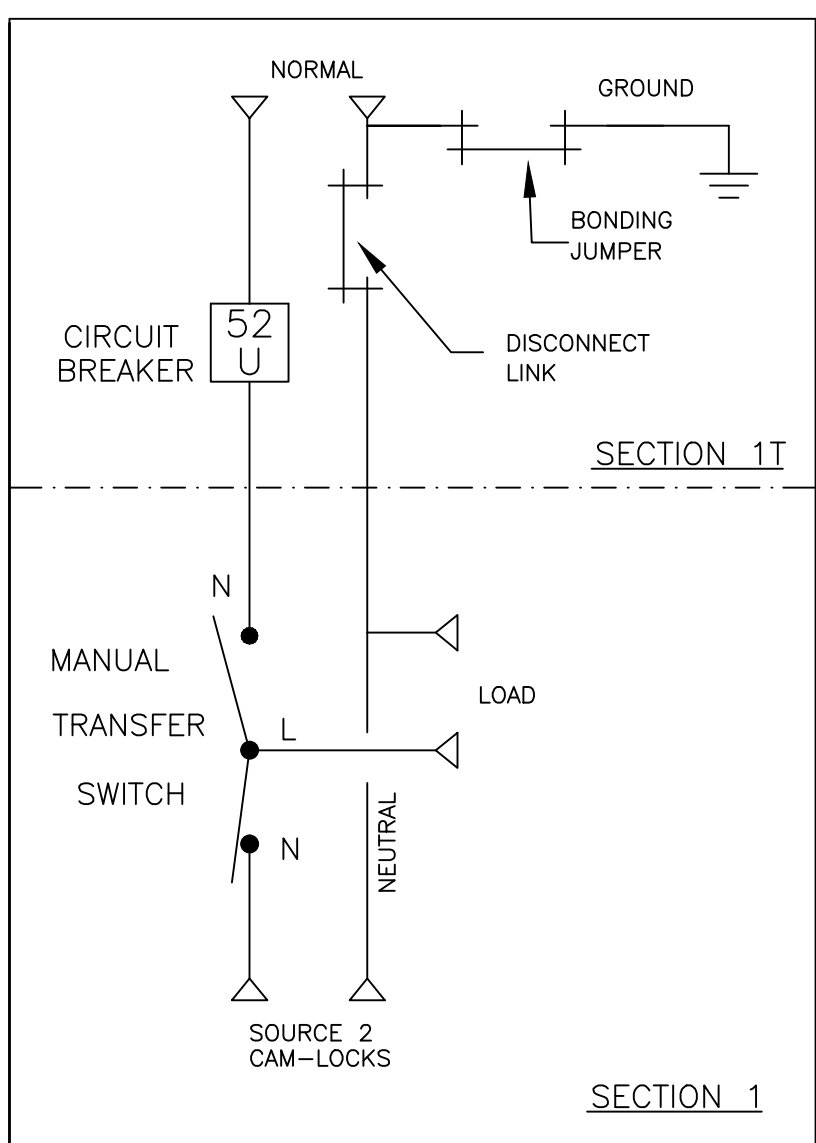


FRONT VIEW WITH COVERS



FRONT VIEW W/O COVERS

ONE LINE DIAGRAM



(WITH SOLID NEUTRAL)

PROJECT NAME:		263472	LY	RN	3/6/17
REV. TO SHEET	ISSUE	ECN NO.	BY	APP.	DATE
OUTLINE		MOUNTING			
HMUQ 600-800A, MJL SE BRKR ON NORMAL,CAMLOCKS ON SOURCE 2					
TYPE 3R/3RX 96 X 37 X 33 SECTION 1 & 1T					
BY	DATE	MANUFACTURING TOLERANCES TO BE IN ACCORDANCE WITH ASCO PROCEDURE MP-1-003. FOR PLASTIC PARTS SEE MP-1-035		ASSEM. REF. NO.	COMPUTER GENERATED DRAWING
DRAWN BY	LY	3/6/17			SCALE 1/16" = 1" SIZE DS
CHECKED	RN	PROPERTY OF ASCO POWER TECHNOLOGIES. USE PERMITTED FOR OUR WORK ONLY. ALL RIGHTS OF DESIGN OR INVENTION ARE RESERVED.		DWG. NO.	
PROJECT APPROVAL				977102-001	
FINAL APPROVAL		ASCO® ASCO POWER TECHNOLOGIES, L.P. FLOHAM PARK, NEW JERSEY 07932 U.S.A.		DRAWING - ECN NO. 267472	SHEET 1 OF 1