


GENERAL NOTES

- TYPE 1 ENCLOSURE. FREE STANDING. FLOOR MOUNTED. CODE GAUGE STEEL.
- ALL DOORS HAVE LOCKABLE HANDLES WITH COMMON KEYING AND CAPTIVE SCREWS AS REQUIRED.
- FINISH: ANSI 61 GRAY POLYESTER SEMI GLOSS ELECTROSTATIC POWDER.
- RECOMMENDED CLEARANCES:
FRONT: 38 INCHES
- ALL BUS IS SILVER-PLATED COPPER, BASED ON 1000A PER SQ. IN. DENSITY.
- A FULL RATED NEUTRAL CONNECTION FOR EACH SOURCE AND THE LOAD IS OPTIONAL. WHEN PROVIDED IT IS IN ONE OF THE FOLLOWING FORMATS AS SPECIFIED BY THE CATALOG NO. NEUTRAL TYPE;
 - SOLID (COPPER BUS) NEUTRAL (SHOWN) (PROVIDED STANDARD ON H3AUS)
 - SWITCHED NEUTRAL POLE
- DESIGNED FOR FRONT ACCESS
- FOR SPECIFIED TRANSFER SWITCH, REFER TO OPERATOR'S MANUAL PROVIDED WITH UNIT.
-  CENTER OF GRAVITY.
- APPROXIMATE WEIGHT: 760 LBS

SPECIFICATIONS

- SERVICE VOLTAGE:
SYSTEM RATING: 450 AMPS, 500 AMPS, 600 AMPS, 700 AMPS, 800 AMPS, 3 ϕ , 4W OR 1 ϕ , 3W.
GROUND BUS- 20% RATED.
SHORT CIRCUIT RATING- 65,000 RMS SYM AMPERES @ 480V.
THE EMERGENCY SOURCE INPUT MUST BE PROTECTED BY A REMOTE OVERCURRENT PROTECTION DEVICE AS LISTED ON THE MARKINGS ON THE TRANSFER SWITCH.
- NEUTRAL BUS: 100% RATED.
- APPLICABLE LABELS: U.L. 891- SUITABLE ONLY FOR USE AS SERVICE EQUIPMENT.

TERMINATIONS 450-600 AMPS

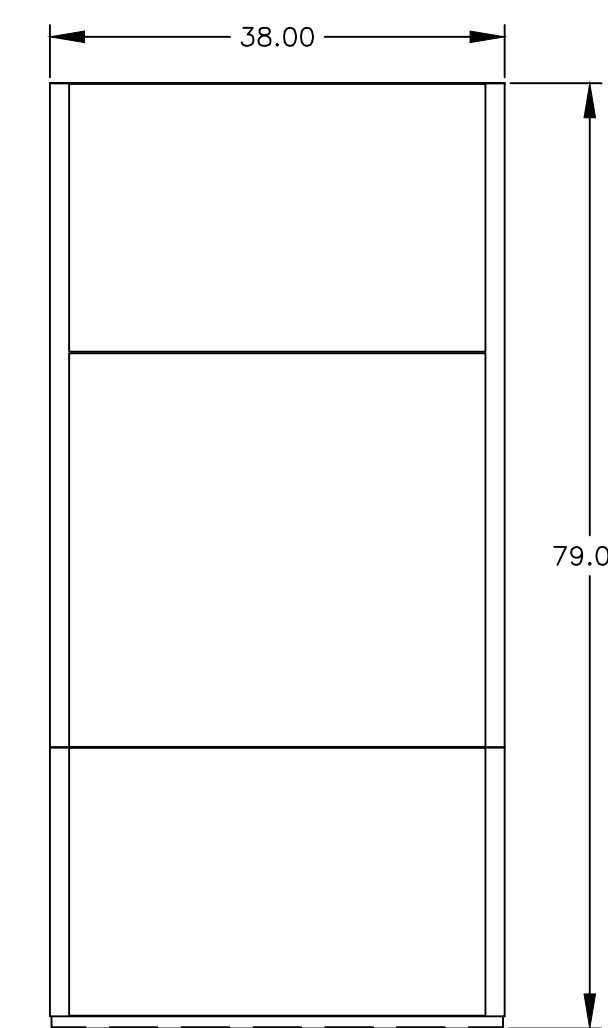
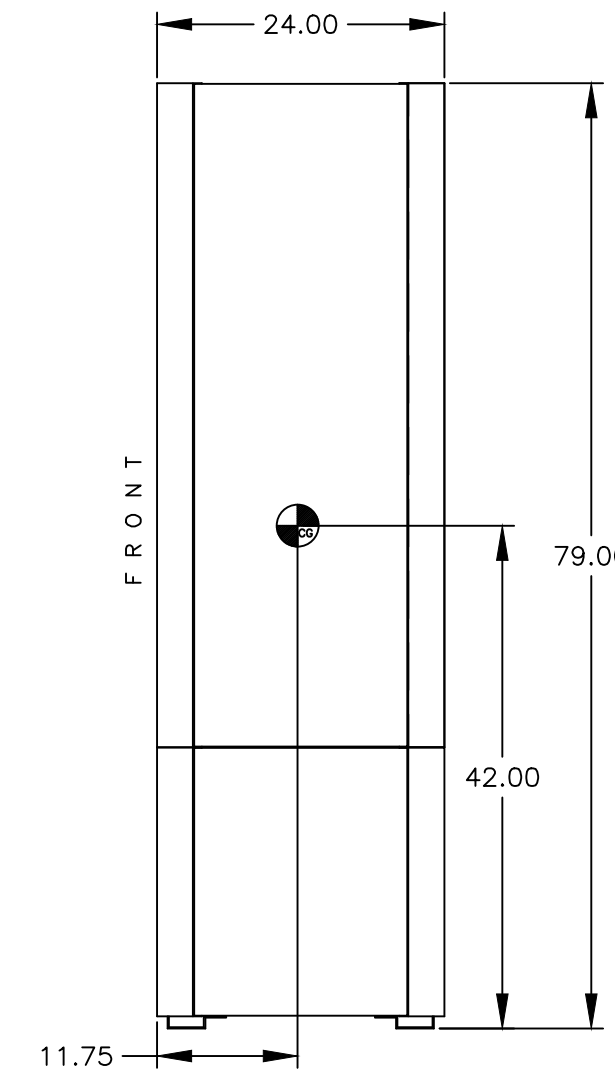
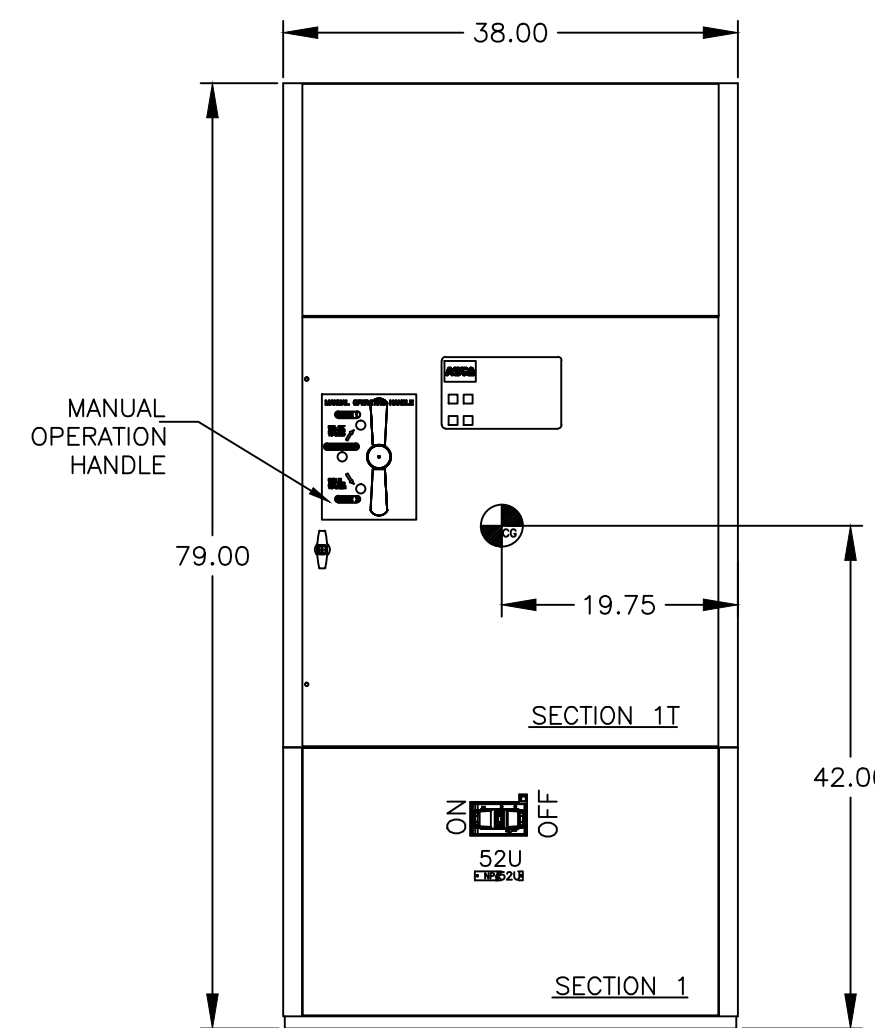
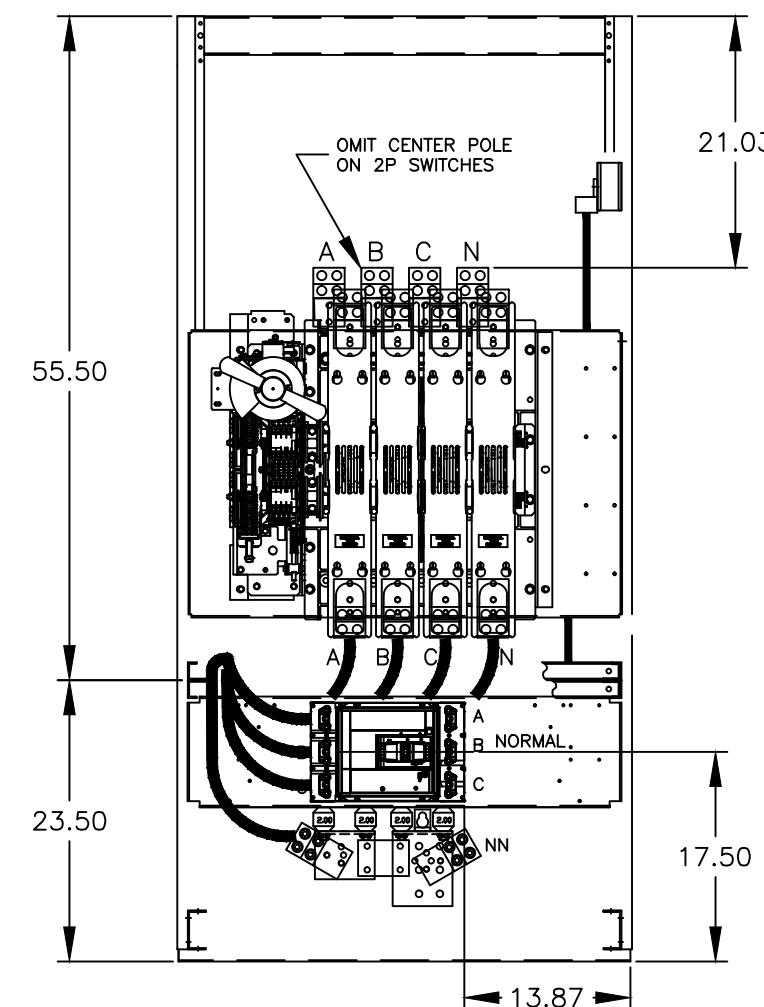
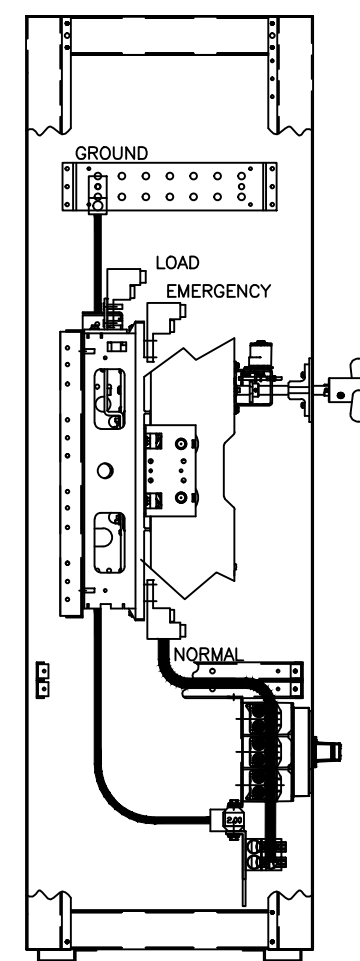
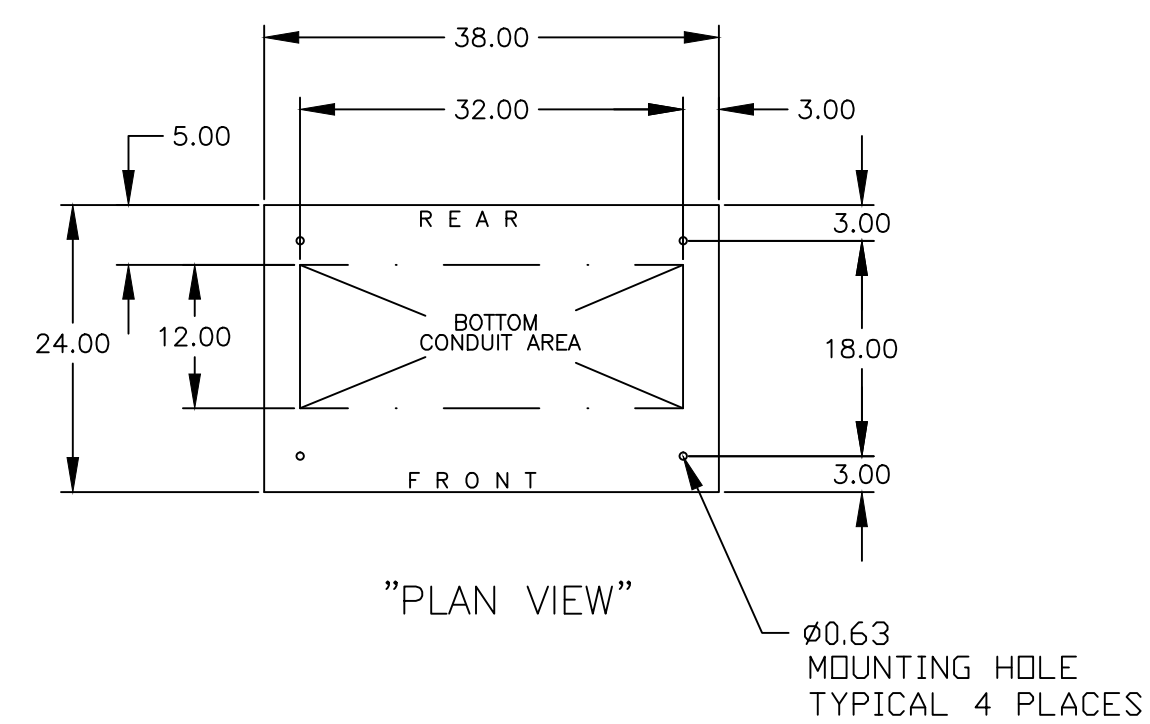
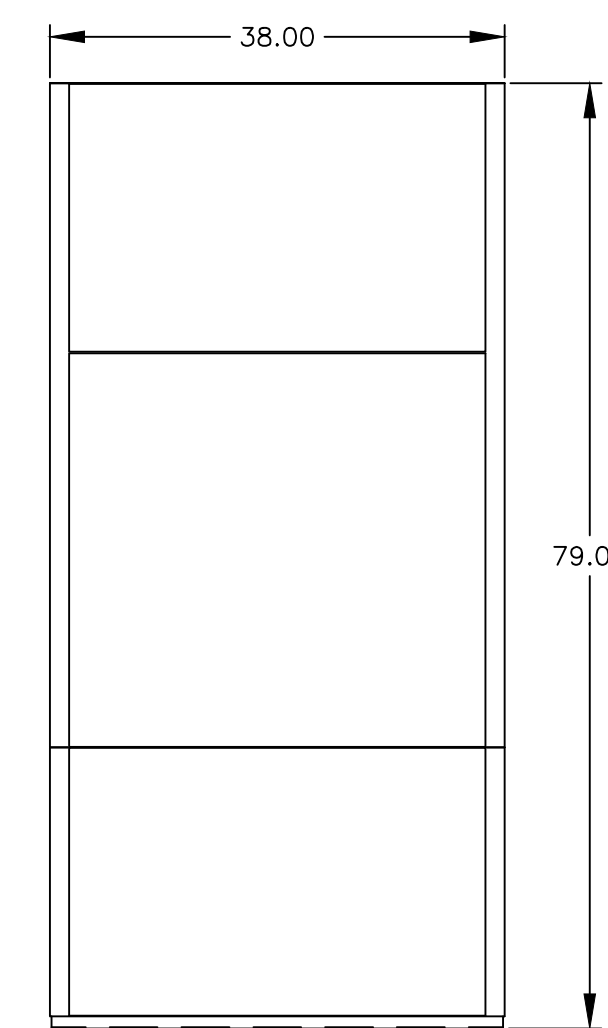
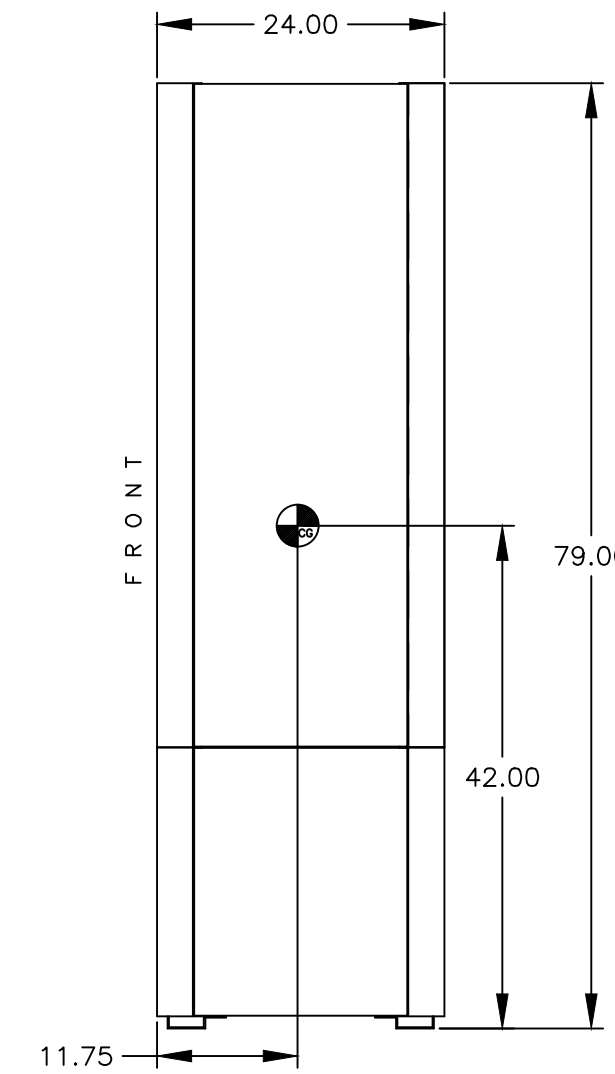
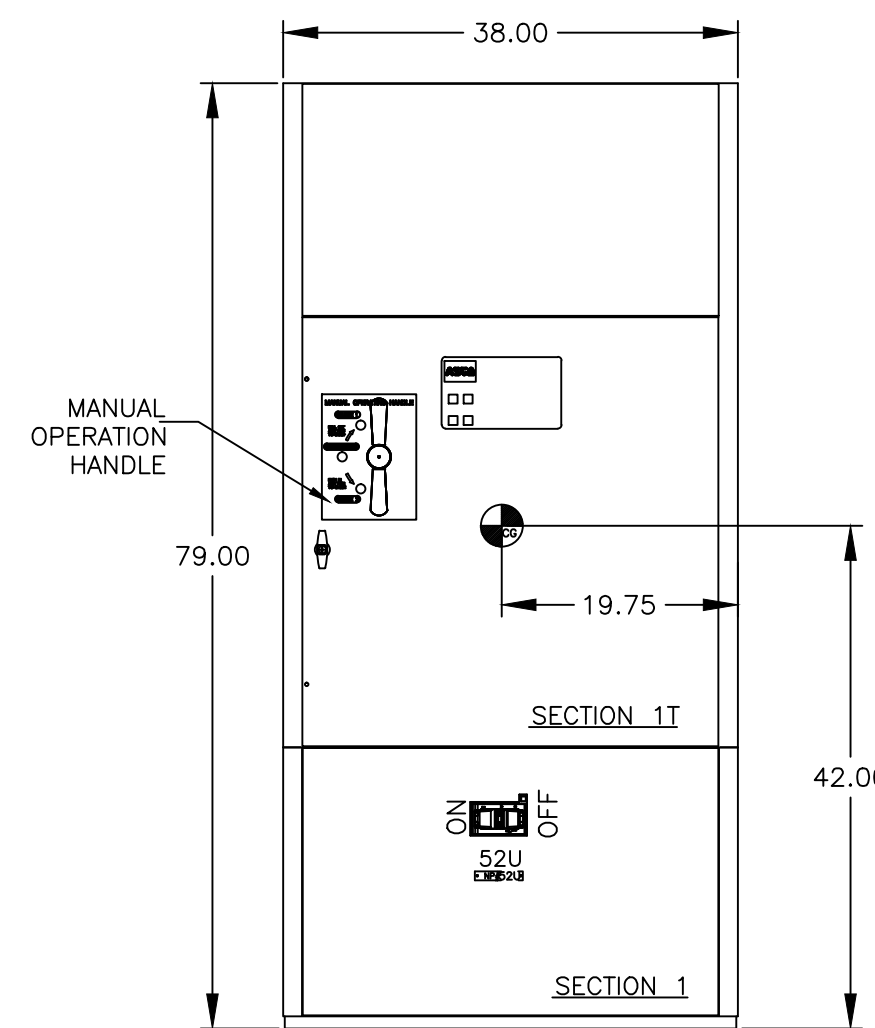
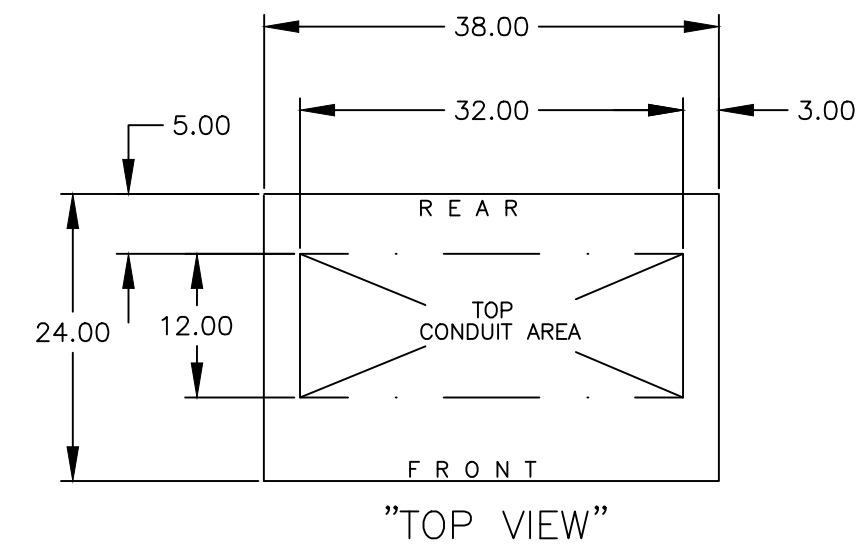
- SUPPLIED WITH STANDARD MECHANICAL (SCREW TYPE) LUGS SUITABLE FOR CU/AL CABLE .
NORMAL(52U): (2) 3/0 - 500MCM PER PHASE AND NEUTRAL
EMERGENCY: (2) #2 - 600MCM PER PHASE AND NEUTRAL
LOAD: (2) #2 - 600MCM PER PHASE AND NEUTRAL
GROUND: (6) 1/0 - 600MCM
SUITABLE WIRE BENDING SPACE IS PROVIDED AS PER THE NEC
- OPTIONAL LUGS MAY BE SUPPLIED.

TERMINATIONS 700-800 AMPS

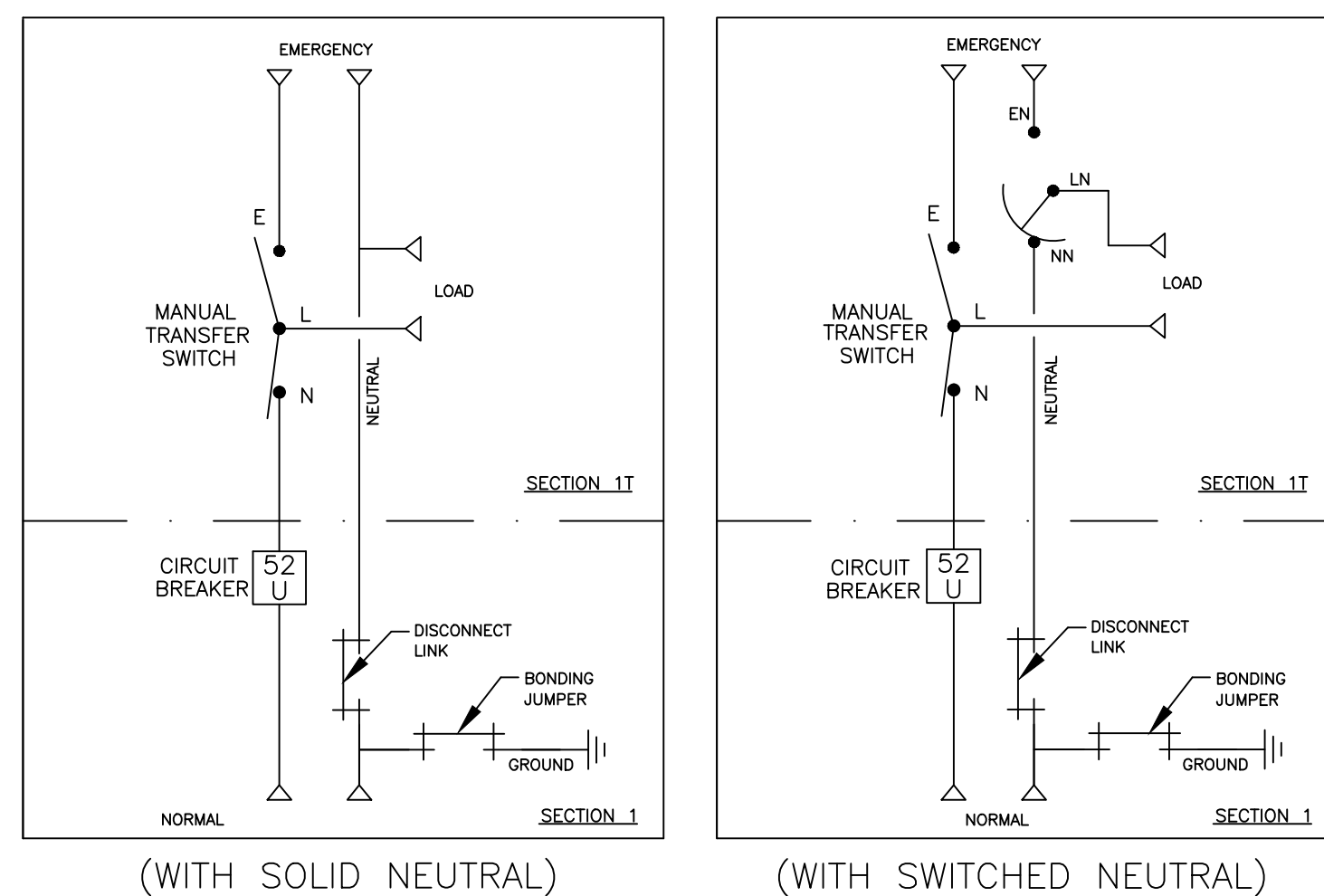
- SUPPLIED WITH STANDARD MECHANICAL (SCREW TYPE) LUGS SUITABLE FOR CU/AL CABLE .
NORMAL(52U): (3) 3/0 - 500MCM PER PHASE AND NEUTRAL
EMERGENCY: (3) 1/0 - 600MCM PER PHASE AND NEUTRAL
LOAD: (3) 1/0 - 600MCM PER PHASE AND NEUTRAL
GROUND: (12) 1/0 - 600 MCM
SUITABLE WIRE BENDING SPACE IS PROVIDED AS PER THE NEC
- OPTIONAL LUGS MAY BE SUPPLIED.

CIRCUIT BREAKER: ITEM 52U

SQUARE "D" 80% RATED, TYPE 'M'JL', 800AF/450AT, 800AF/500AT, 800AF/600AT, 800AF/700AT, 800AF/800AT MOLDED CASE, ELECTRONIC TRIP.



ONE LINE DIAGRAMS



PROJECT NAME:		270555	VAK	RN	02-09-18
REV. TO SHEET	ECN NO.	BY	APP.	DATE	
OUTLINE		MOUNTING			
HMUS 450A-800A, MJL SE BREAKER ON NORMAL					
TYPE 1, 79 X 38 X 24, SECTION 1 & 1T					
BY	DATE	MANUFACTURING TOLERANCES TO BE IN ACCORDANCE WITH ASCO PROCEDURE MP-1-003. FOR PLASTIC PARTS SEE MP-1-005		ASSEM. REF. NO.	COMPUTER GENERATED DRAWING
DRAWN BY	VAK	01-08-18			SCALE 1/16" = 1" SIZE DS
CHECKED	RN		PROPERTY OF ASCO POWER TECHNOLOGIES. USE PERMITTED FOR OUR WORK ONLY. ALL RIGHTS OF DESIGN OR INVENTION ARE RESERVED.		DWG. NO. 977102-002
PROJECT APPROVAL					ASCO® ASCO Power Technologies, L.P. FLOHAM PARK, NEW JERSEY 07932 U.S.A.
FINAL APPROVAL					DRAWING - ECN NO. 270555 SHEET 1 OF 1