

# METER-RITE® Grade Level Double-throw Switches – with Meter Socket

## Manual, Not Fusible – Quick-Break/Quick-Make

METER-RITE switches listed below are rated 100% capacity, continuous duty

Single Phase (240 Vac) with Meter Socket	Catalog Number	Main Contacts (A)	Aux Contacts (A)	Approx Weight (lbs)	DPDT - Double Pole – Double Throw
<b>Non-UL Not-SUSE</b>	7103MS	100	100	38	Horn bypass meter-socket
	7205AMSH	200	200	49	Horn bypass meter-socket
	7205AMSH-X	200	200	66	Horn bypass meter-socket, extra deep/wide enclosure
	7205AMSL	200	200	49	Lever bypass meter-socket
	7205AMSL-X	400	400	66	Lever bypass meter-socket, extra deep/wide enclosure
	7406MS	400	400	66	No-bypass meter-socket with metering current transformer
	7406MS-X	400	400	83	No-bypass meter-socket with metering current transformer, extra deep/wide enclosure
	7410MS	400*	400	66	Class 320 lever bypass meter-socket
<b>“Center-Off” Position UL Listed SUSE Rated</b>	7215MSH-OH	200	200	66	Horn bypass meter-socket, overhead entry
	7215MSL-OH	200	200	66	Lever bypass meter-socket, overhead entry
	7215MSH-UG	200	200	83	Horn bypass meter-socket, underground entry
	7215MSL-UG	200	200	83	Lever bypass meter-socket, underground entry

**Caution:** Do not switch between sources with motor loads operating.

SUSE – Suitable for Use as Service Equipment

\*Continuous rating 320 A (80%)

Catalog Number	Conduit Knockout Sizes and Hub Type
7103MS	(3) 1 to 1-1/4, (1) 1/2 Murray RX200 Hub or Equal
7205AMSH	(3) 1-1/2 to 2, (1) 1/2 Murray RX200 Hub or Equal
7205AMSH-X	(3) 1-1/2 to 2, (1) 1/2 Murray RX200 Hub or Equal
7205AMSL	(3) 1-1/2 to 2, (1) 1/2 Murray RX200 Hub or Equal
7205AMSL-X	(3) 1-1/2 to 2, (1) 1/2 Murray RX200 Hub or Equal
7406MS	(2) 2-1/2 to 3, (1) 1-1/2 to 2, (1) 1/2
7406MS-X	(3) 2-1/2 to 3, (1) 1-1/2 to 2, (1) 1/2
7410MS	(2) 2-1/2 to 3, (1) 1-1/2 to 2, (1) 1/2
7215MSH-OH	(3) 1-1/2 to 2, (1) 1/2, Murray RX200 Hub or Equal
7215MSL-OH	(3) 1-1/2 to 2, (1) 1/2, Murray RX200 Hub or Equal
7215MSH-UG	(4) 2 to 2-1/2, (1) 1/2
7215MSL-UG	(4) 2 to 2-1/2, (1) 1/2

All knockouts are on bottom of switches.

Hubs are top mounted for overhead wiring unless noted above.



Sales Information: 1-800-221-7665 • Service and Support: 1-217-563-8333

PO Box 160, 106 E State Street, Nokomis, IL 62075-0160 • sales@ronkelectrical.com • www.ronkelectrical.com

# METER-RITE® Grade Level Double-throw Switches – with Meter Socket

Dimensions of NEMA 3R Enclosures (in inches)

Figure 1

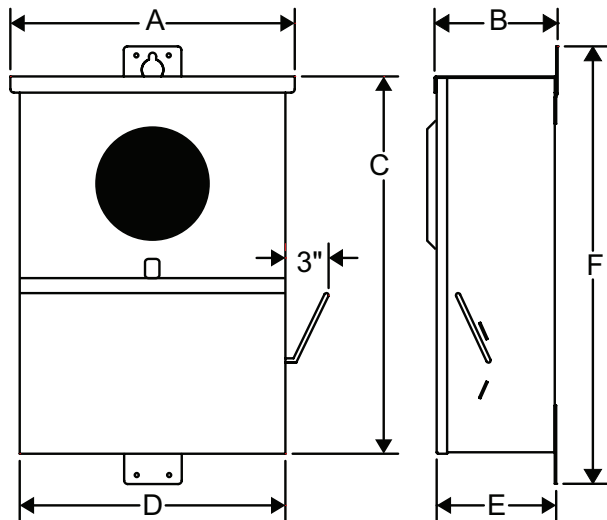
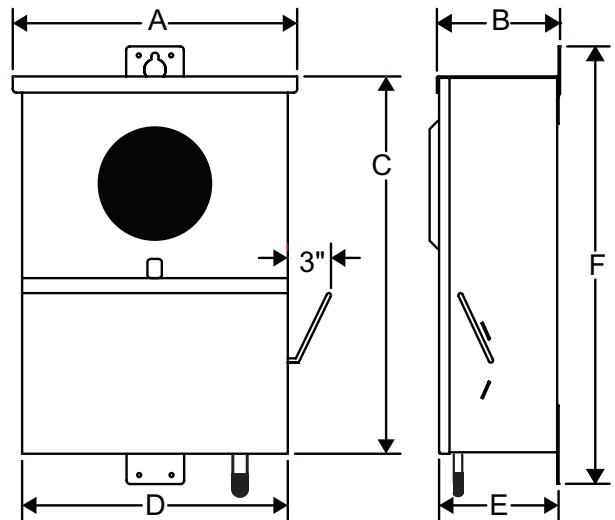


Figure 2



Catalog Number	Wire Range	Figure #	A	B	C	D	E	F
7103MS	N	1	14-3/4	6	30-1/4	13-3/8	5-9/16	35
7205AMSH	L	1	15-3/4	8-9/16	35-1/4	15-1/2	8-5/16	40
7205AMSL	L	1	15-3/4	8-9/16	35-1/4	15-1/2	8-5/16	40
7406-MS	M	1	18-3/4	8-9/16	38-1/4	18-1/2	8-5/16	43
7410MS	M	1	18-3/4	8-9/16	38-1/4	18-1/2	8-5/16	43
7205AMSH-X	L	1	18-3/4	10-9/16	38-1/4	18-1/2	10-5/16	43
7205AMSL-X	L	1	18-3/4	10-9/16	38-1/4	18-1/2	10-5/16	43
7406MS-X	M	1	24-3/4	10-9/16	38-1/4	24-1/2	10-5/16	43
7215-MSH-OH	L	2	18-3/4	8-9/16	38-1/4	18-1/2	8-5/16	43
7215-MSL-OH	L	2	18-3/4	8-9/16	38-1/4	18-1/2	8-5/16	43
7215-MSH-UG	L	2	24-3/4	8-9/16	38-1/4	24-1/2	8-5/16	43
7215-MSL-UG	L	2	24-3/4	8-9/16	38-1/4	24-1/2	8-5/16	43

Wire Range	Service Connections		Customer Connections		
	Line Lugs	Neutral	Auxiliary Lugs	Load Lugs	Neutral
<b>L</b>	350 MCM - #6 CU-AL (Lay-in Terminal)	250 MCM - #6 CU-AL (1-Hole Lug)	250 MCM - #6 CU-AL (1-Hole Lug)	250 MCM - #6 CU-AL (4-Hole Lug)	350 MCM - #6 CU-AL (3-Hole Bar)
<b>M</b>	(2) 250 MCM - 1/0 or (1) 600 MCM - #4 CU-AL (1-Hole Lug)	(2) 250 MCM - 1/0 or (1) 600 MCM - #4 CU-AL (1-Hole Lug)	(2) 250 MCM - 1/0 or (1) 600 MCM - #4 CU-AL (1-Hole Lug)	250 MCM - #6 CU-AL (4-Hole Lug)	350 MCM - #6 CU-AL (5-Hole Bar)
<b>N</b>	2/0 - #8 CU-AL (Lay-in Terminal)	250 MCM - #6 CU-AL (1-Hole Lug)	1/0 - #14 CU-AL (1-Hole Lug)	2/0 - #14 CU-AL (4-Hole Bar)	2/0 - #14 CU-AL (3-Hole Bar)

Other load lug and neutral configurations available. Contact Ronk for more information



Sales Information: 1-800-221-7665 • Service and Support: 1-217-563-8333

PO Box 160, 106 E State Street, Nokomis, IL 62075-0160 • sales@ronkelectrical.com • www.ronkelectrical.com

TS-015\_01-2017