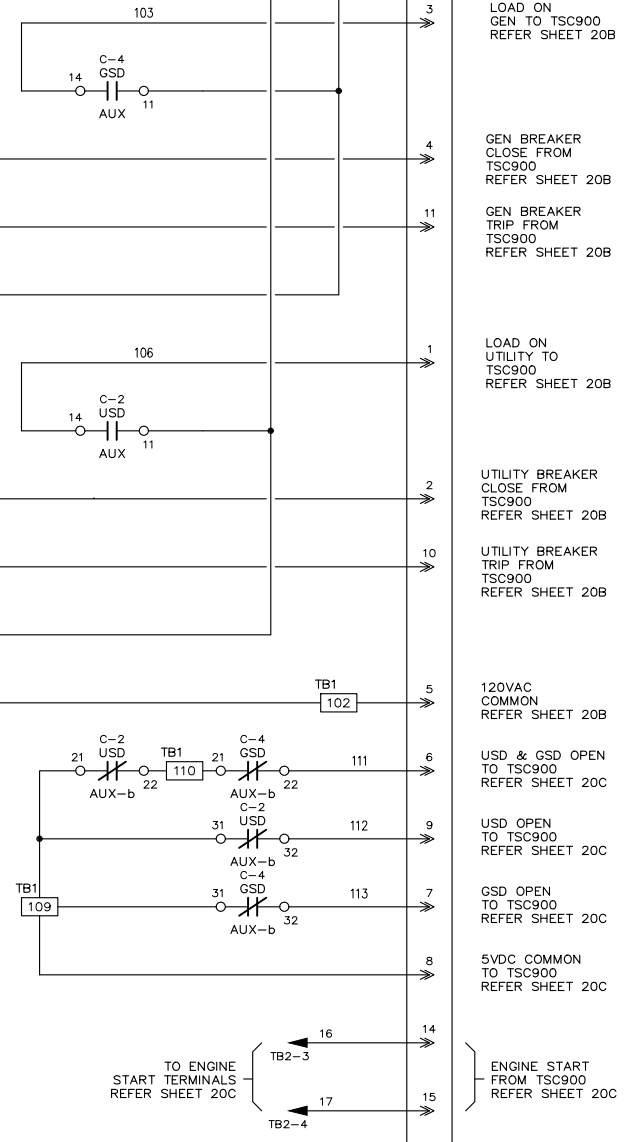
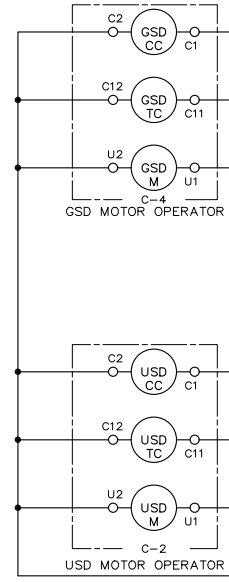


COLOR KEY	
BK	BLACK
BE	BLUE
BN	BROWN
GN	GREEN
GY	GREY
OR	ORANGE
PE	PURPLE
R	RED
W	WHITE
Y	YELLOW
V	VIOLET

GENERAL NOTES	
1	THREE PHASE CONNECTION SHOWN. FOR SINGLE PHASE CONNECT A & B ONLY.
2	COLOR CODE: ALL WIRING IS GREY UNLESS NOTED. SAFETY GROUND WIRES ARE GREEN.
3	VOLTAGE SENSING WIRE HARNESS PART ID :
4	POWER CHASSIS WIRE HARNESS PART ID :



APPROVED FOR CONSTRUCTION  
 MASTER COPY     REFERENCE COPY \_\_\_\_\_ OF \_\_\_\_\_  
 MULTIPLE UNIT WORK ORDER  
 RELEASED FOR INFORMATION  
 AUTH. BY: \_\_\_\_\_ DATE: \_\_\_\_\_

CROSS REFERENCE LEGEND  
 SOC-C-1  
 GRID COORDINATE  
 SHEET No.

DRAWING No.	REFERENCE DRAWINGS	No.	REVISIONS	BY	OG	DATE
		1	WIRE HARNESS UPDATED AS PER ECR-0114744	AP	OG	16-07-22



AUTOMATIC TRANSFER SWITCH  
 MODEL TS 870  
 MCS AC SCHEMATIC, MOTOR OPERATED, T7, SE  
 1000 -1200A

DRAWINGS AND/OR OTHER TECHNICAL INFORMATION SUPPLIED BY THOMSON POWER SYSTEMS AS A PART OF A SALE OF EQUIPMENT ARE FOR THE PURCHASER'S USE SOLELY IN CONJUNCTION WITH THAT EQUIPMENT, UNLESS SPECIFICALLY AGREED TO OTHERWISE AS A PART OF THE TERMS OF SALE.			
CUSTOMER THOMSON POWER SYSTEMS		WORK ORDER No.	
CUSTOMER ORDER No.	C-XXXXXX	W-XXXXXX	
DRAWN BY	AP	AUTH BY	OG
DATE	16-01-26	REV	1
DRAWING/FILE No.	MOS870E201	SHEET	20A