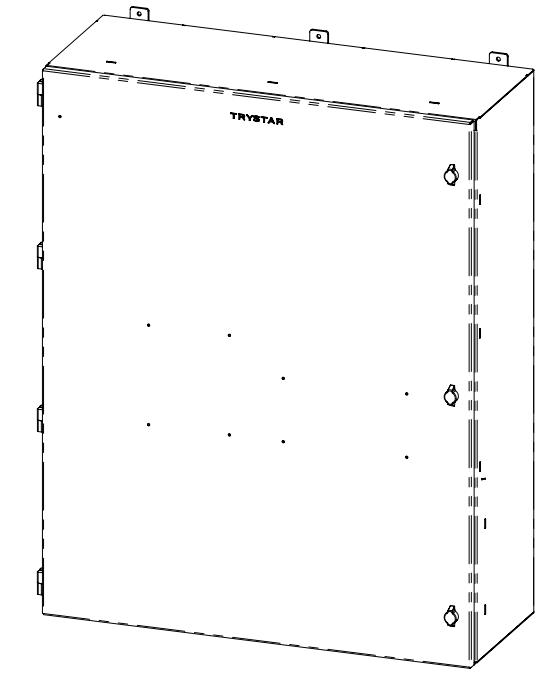
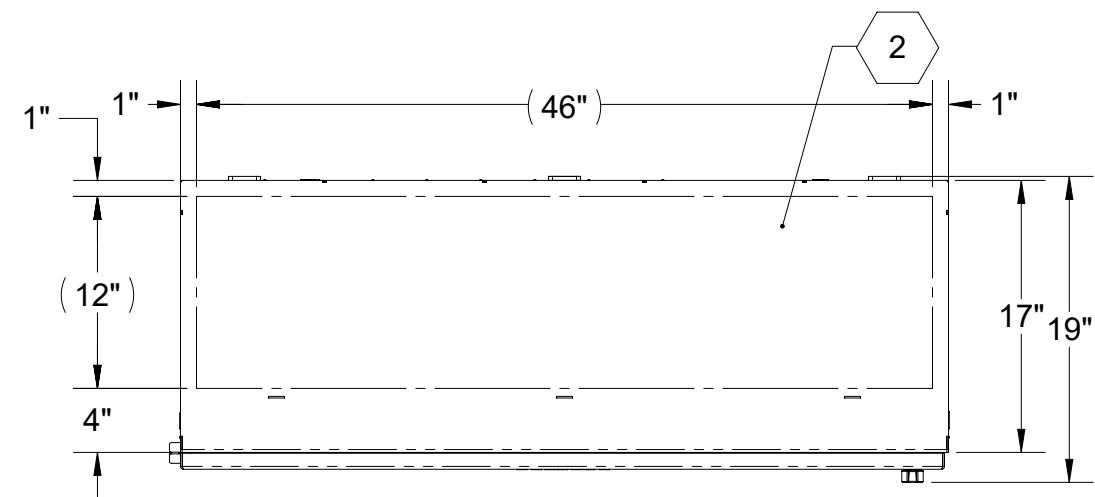


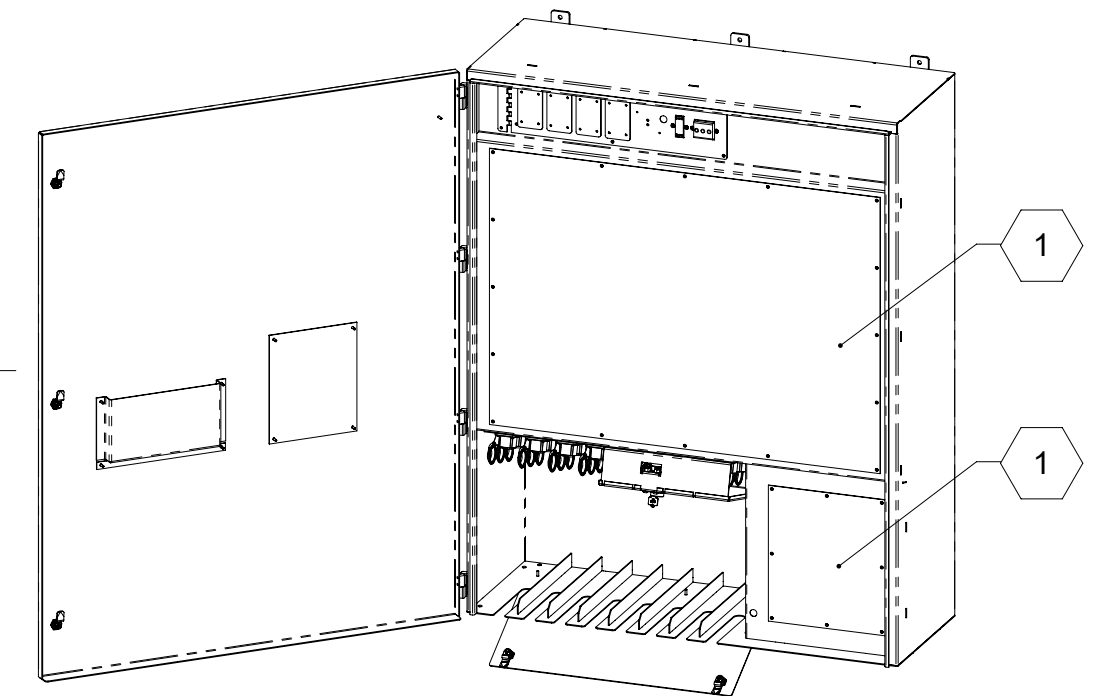
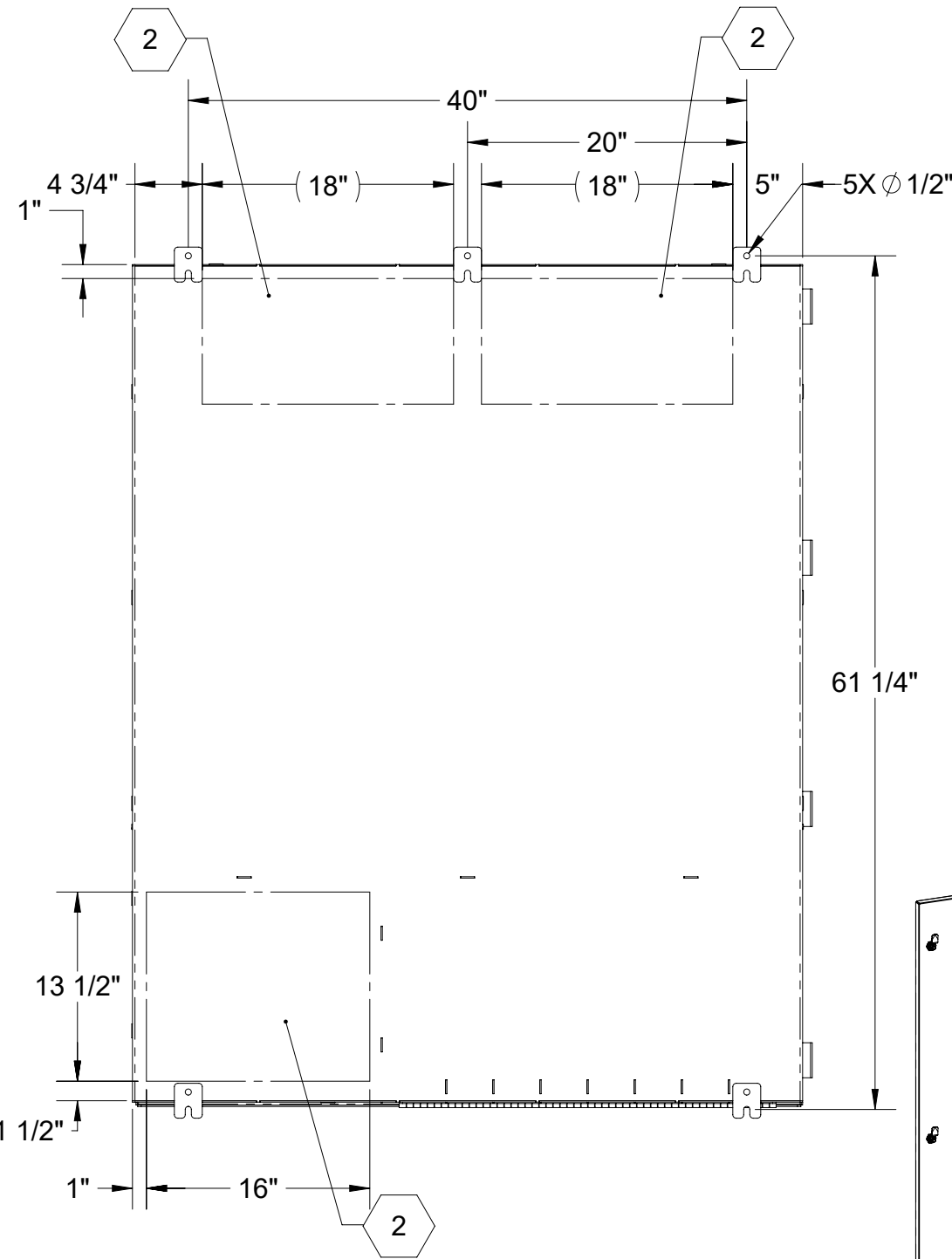
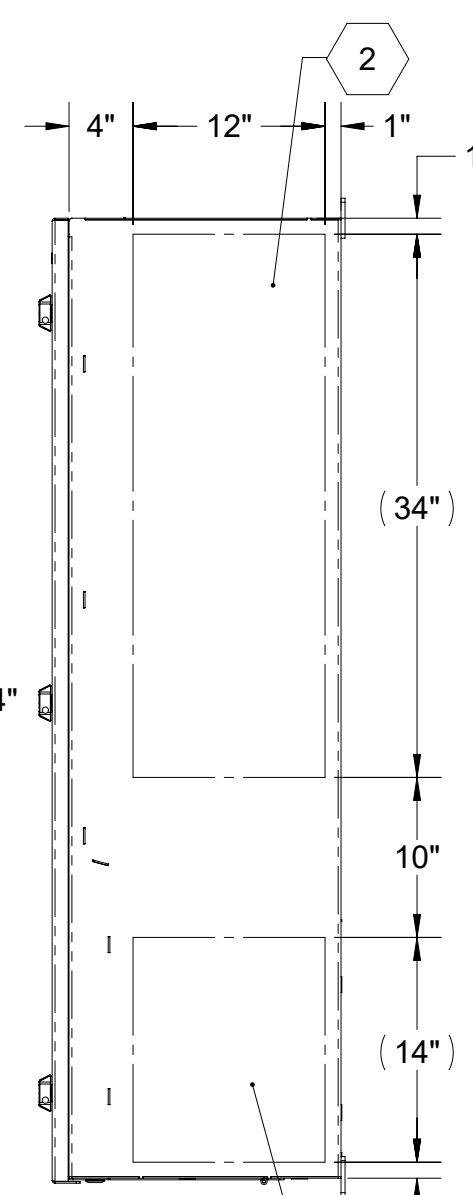
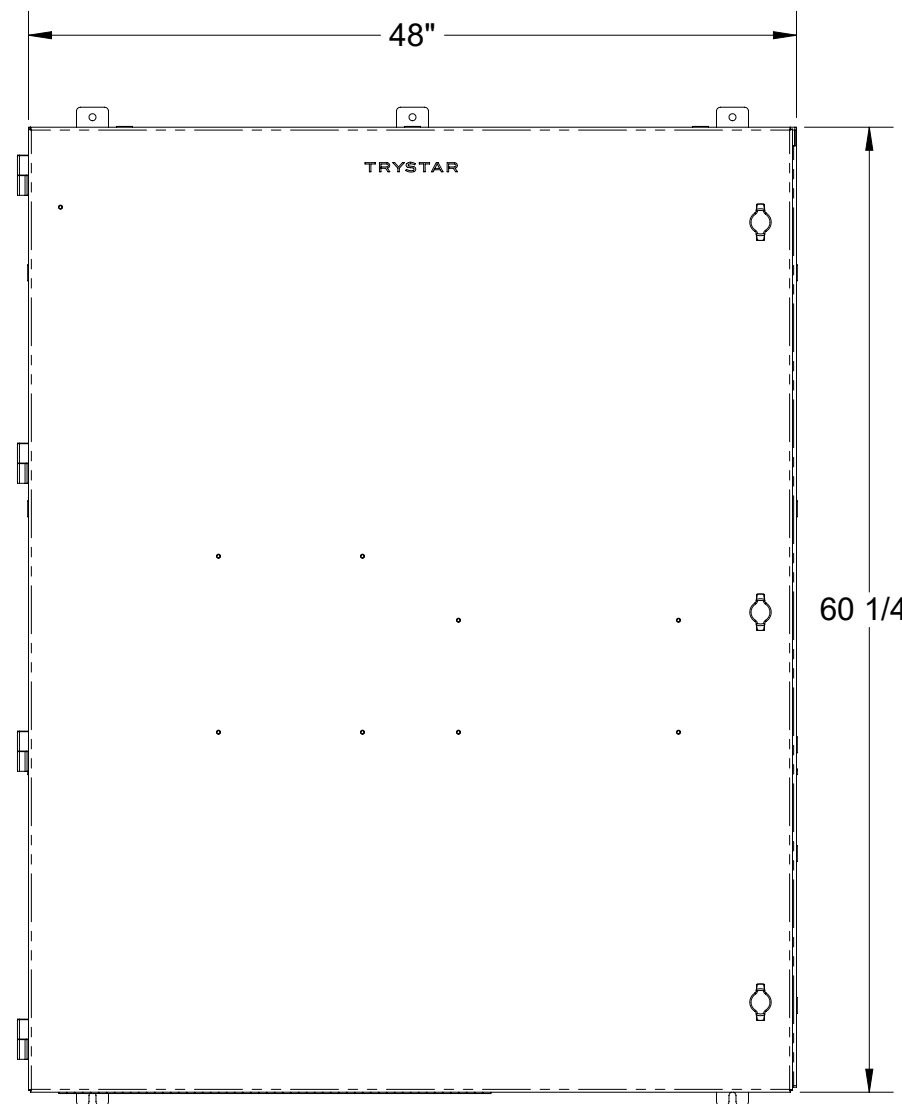
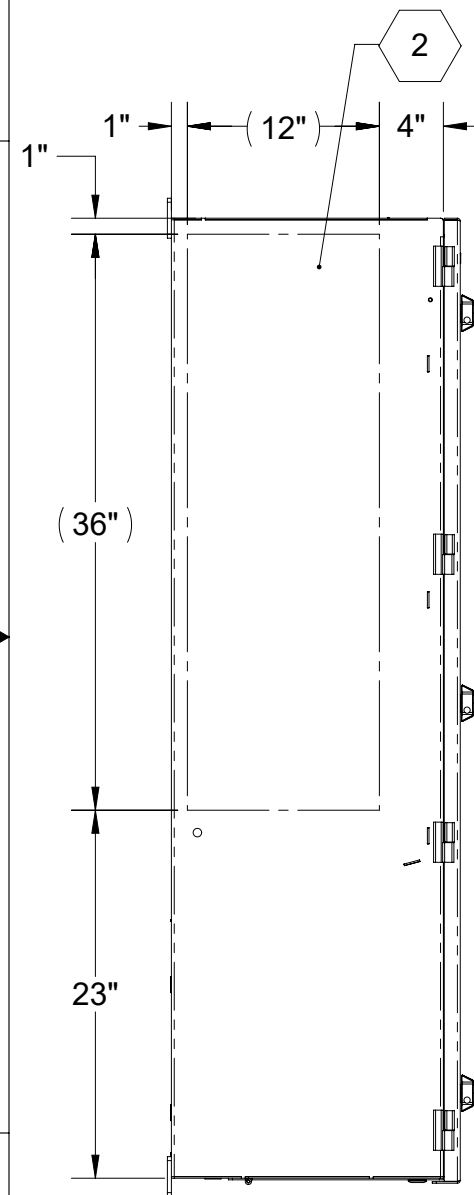
REVISION HISTORY				
REV	DESCRIPTION	ECO	BY	DATE
-01	FIRST REV FOR MFG	N/A	NDA	1/1/2019

Large 19 Series Wall Mount

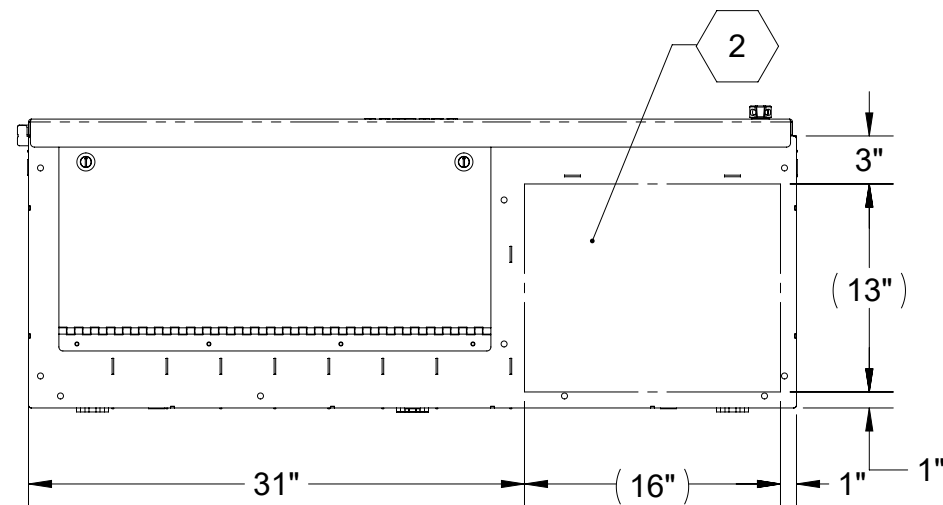
ONE-LINES AVAILABLE UPON REQUEST



DIMETRIC VIEW CLOSED
1:20 SCALE



DIMETRIC VIEW OPEN
1:20 SCALE



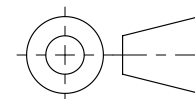
- NOTES:
 1. REMOVABLE ACCESS PANEL
 2. CONDUIT ENTRY AREA - SIZE & LOCATION SUBJECT TO CHANGE WITH ADDITION OF FEATURES

PROPRIETARY AND CONFIDENTIAL
 THE INFORMATION CONTAINED IN THIS DRAWING IS THE SOLE PROPERTY OF TRYSSTAR, INC. ANY REPRODUCTION IN PART OR AS A WHOLE WITHOUT THE WRITTEN PERMISSION OF TRYSSTAR, INC. IS PROHIBITED.

MATERIAL
 FINISH

UNLESS OTHERWISE SPECIFIED DIM ARE IN INCHES
 TOL ON ANGLE ± 1° FRACTION ± 1/16
 1 PL ± 1/32 2 PL ± .015 3 PL ± .010
 INTERPRET DIM AND TOL PER ASME Y14.5M-1994

THIRD ANGLE PROJECTION



APPROVALS

DRAWN: NDA	DRAWN DATE: 12/5/2018
CHECKED:	CHECKED DATE:
ENG:	DATE:
MFG:	DATE:
QA:	DATE:

TRYSSTAR, INC.
 2917 INDUSTRIAL DRIVE, FARIBAULT, MN 55021
 (507) 333-3990 - (866) TRYSSTAR - TRYSSTAR.COM

TITLE:
LARGE 19 SERIES; WALL MOUNT; DIMENSIONS & CONDUIT ENTRY AREA

SIZE: C	CAGE CODE: 1N5J6	DWG. NO.: Lg19 xXX-aavW-xx(x)	REV: -01
SCALE: 1:12		WEIGHT:	SHEET 1 OF 1