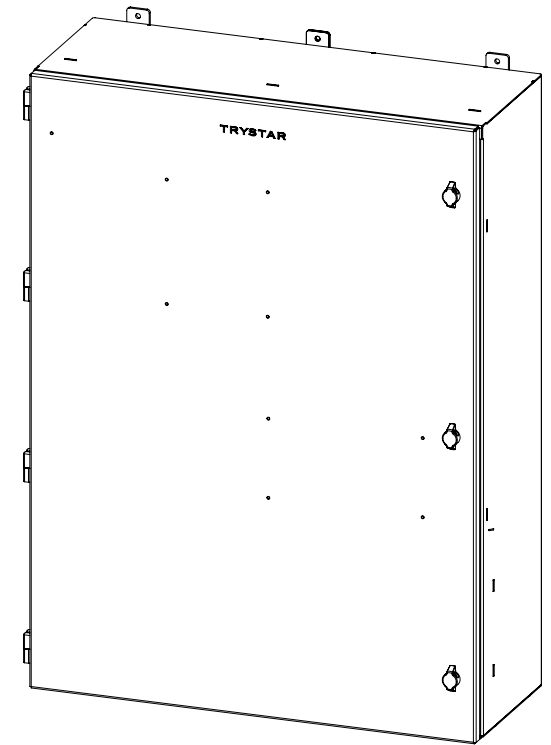
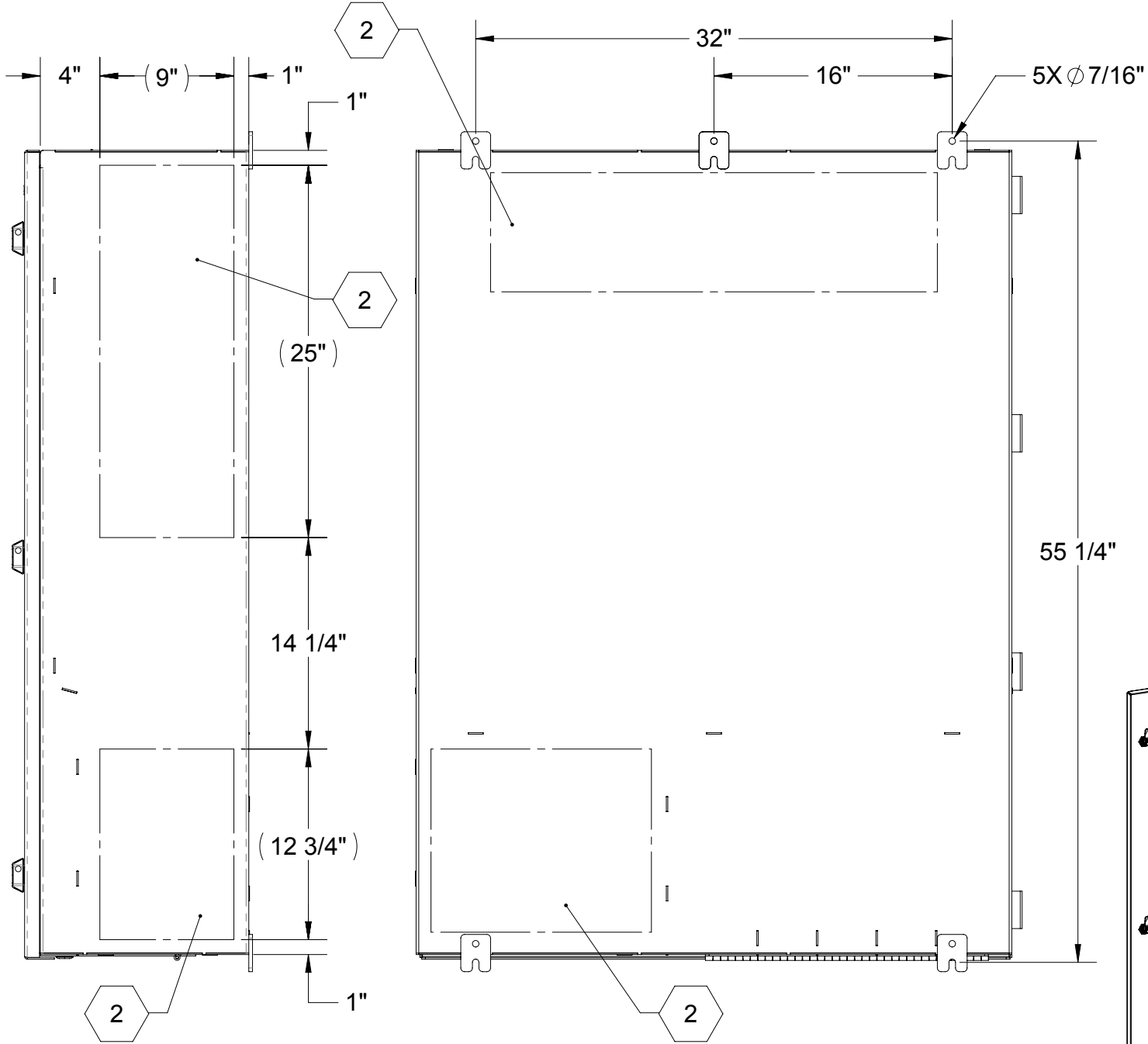
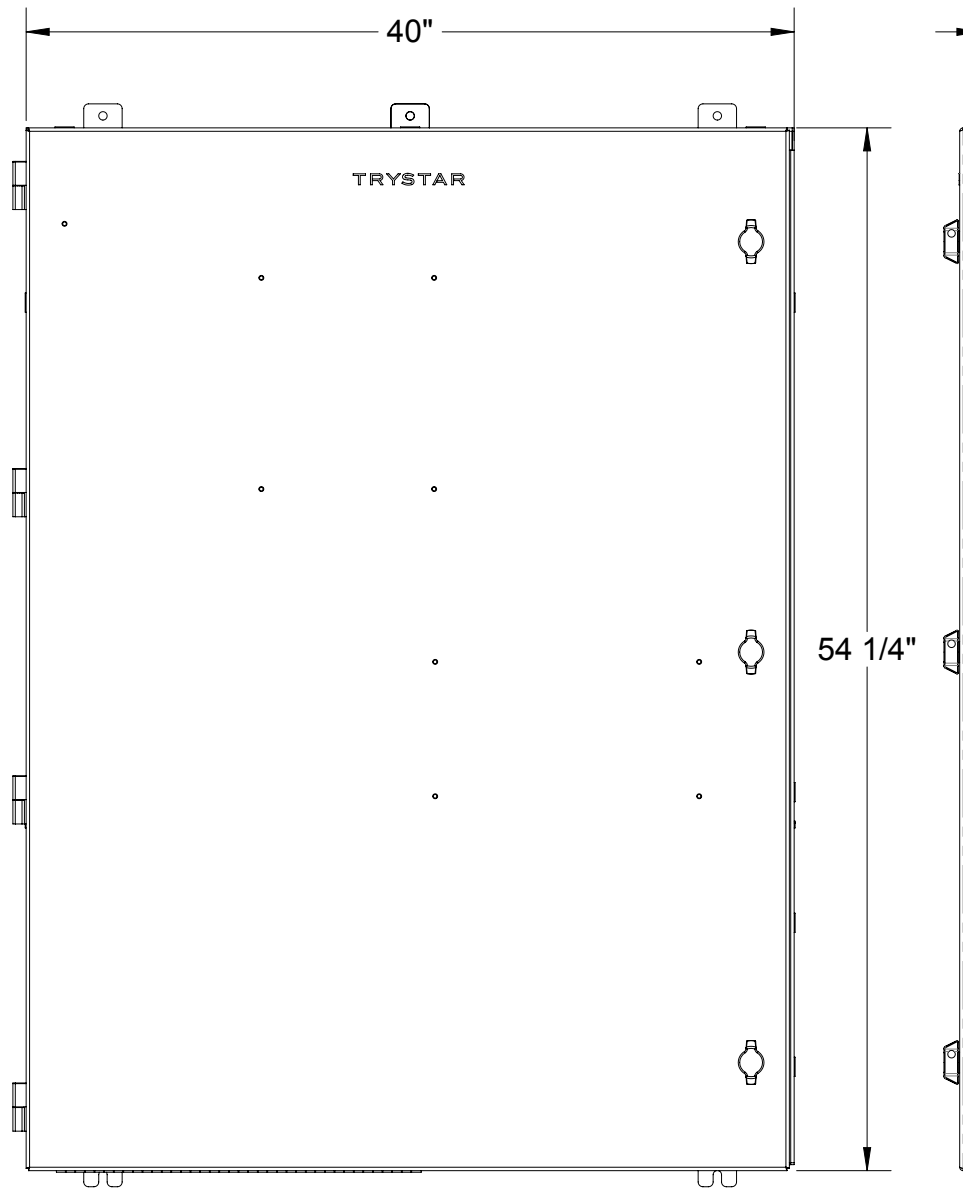
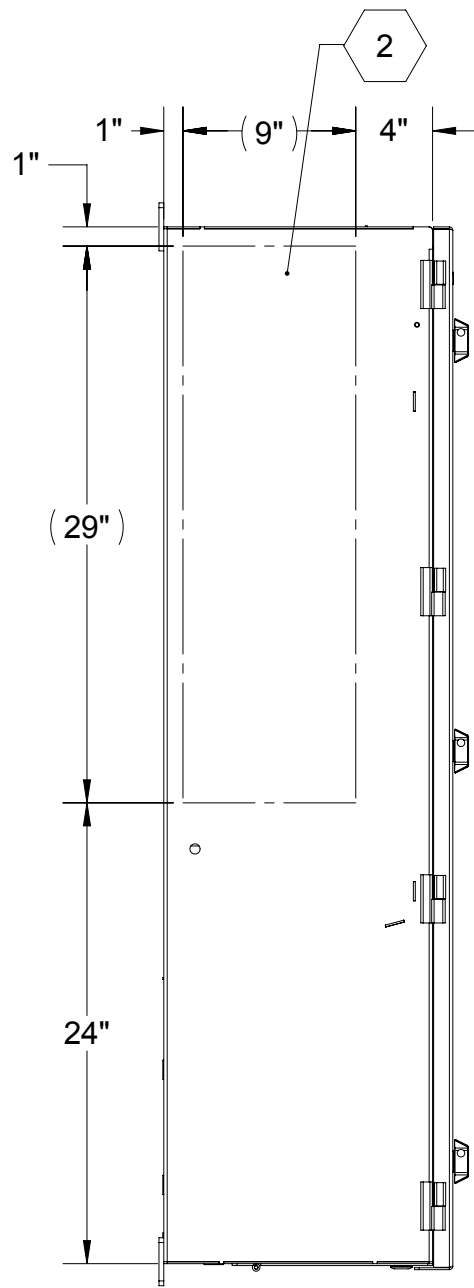
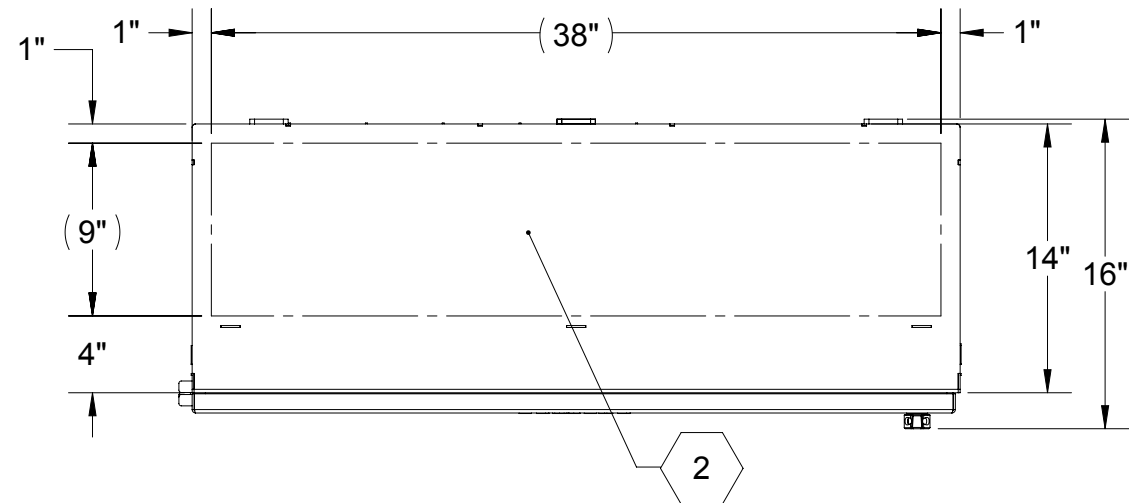


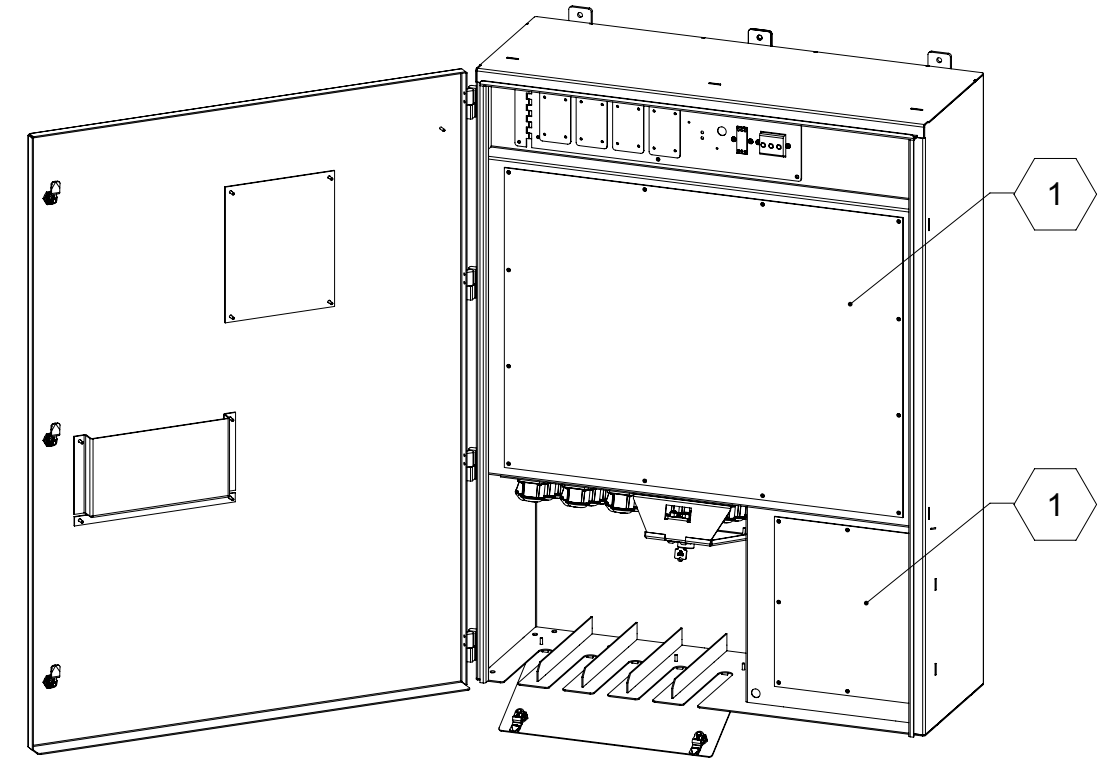
REVISION HISTORY				
REV	DESCRIPTION	ECO	BY	DATE
-01	FIRST REV FOR MFG	N/A	NDA	1/1/2019

Medium 19 Series Wall Mount

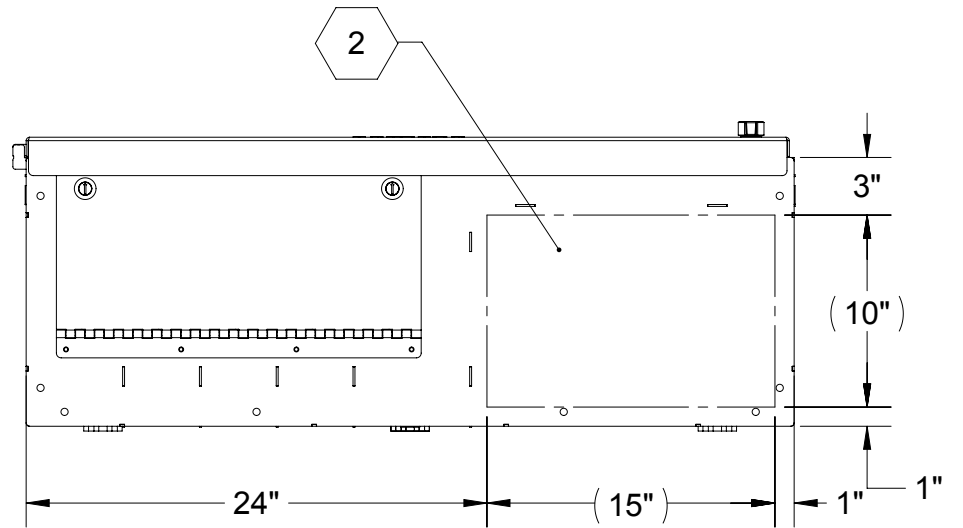
ONE-LINES AVAILABLE UPON REQUEST



DIMETRIC VIEW CLOSED
1:16 SCALE

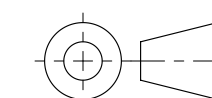


DIMETRIC VIEW OPEN
1:16 SCALE



NOTES:

1. REMOVABLE ACCESS PANEL
2. CONDUIT ENTRY AREA - SIZE & LOCATION SUBJECT TO CHANGE WITH ADDITION OF FEATURES

<p>PROPRIETARY AND CONFIDENTIAL THE INFORMATION CONTAINED IN THIS DRAWING IS THE SOLE PROPERTY OF TRYSTAR, INC. ANY REPRODUCTION IN PART OR AS A WHOLE WITHOUT THE WRITTEN PERMISSION OF TRYSTAR, INC. IS PROHIBITED.</p>	<p>UNLESS OTHERWISE SPECIFIED DIM ARE IN INCHES TOL ON ANGLE ± 1° FRACTION ± 1/16 1 PL ± 1/32 2 PL ± .015 3 PL ± .010 INTERPRET DIM AND TOL PER ASME Y14.5M-1994</p>	<p>APPROVALS</p>		<p>TRYSTAR, INC. 2917 INDUSTRIAL DRIVE, FARIBAULT, MN 55021 (507) 333-3990 - (866) TRYSTAR - TRYSTAR.COM</p>			
	<p>THIRD ANGLE PROJECTION</p> 	<p>DRAWN: NDA CHECKED: NDA ENG: NDA MFG: NDA QA: NDA</p>	<p>DRAWN DATE: 12/4/2018 CHECKED DATE: N/A DATE: N/A DATE: N/A DATE: N/A</p>	<p>TITLE: MEDIUM 19 SERIES; WALL MOUNT; DIMENSIONS & CONDUIT ENTRY AREA</p>			
<p>MATERIAL: _____ FINISH: _____</p>				<p>SIZE: C SCALE: 1:10</p>	<p>CAGE CODE: 1N5J6 WEIGHT: _____</p>	<p>DWG. NO.: Md19 xXX-aavW-xx(x) SHEET 1 OF 1</p>	<p>REV: -01</p>