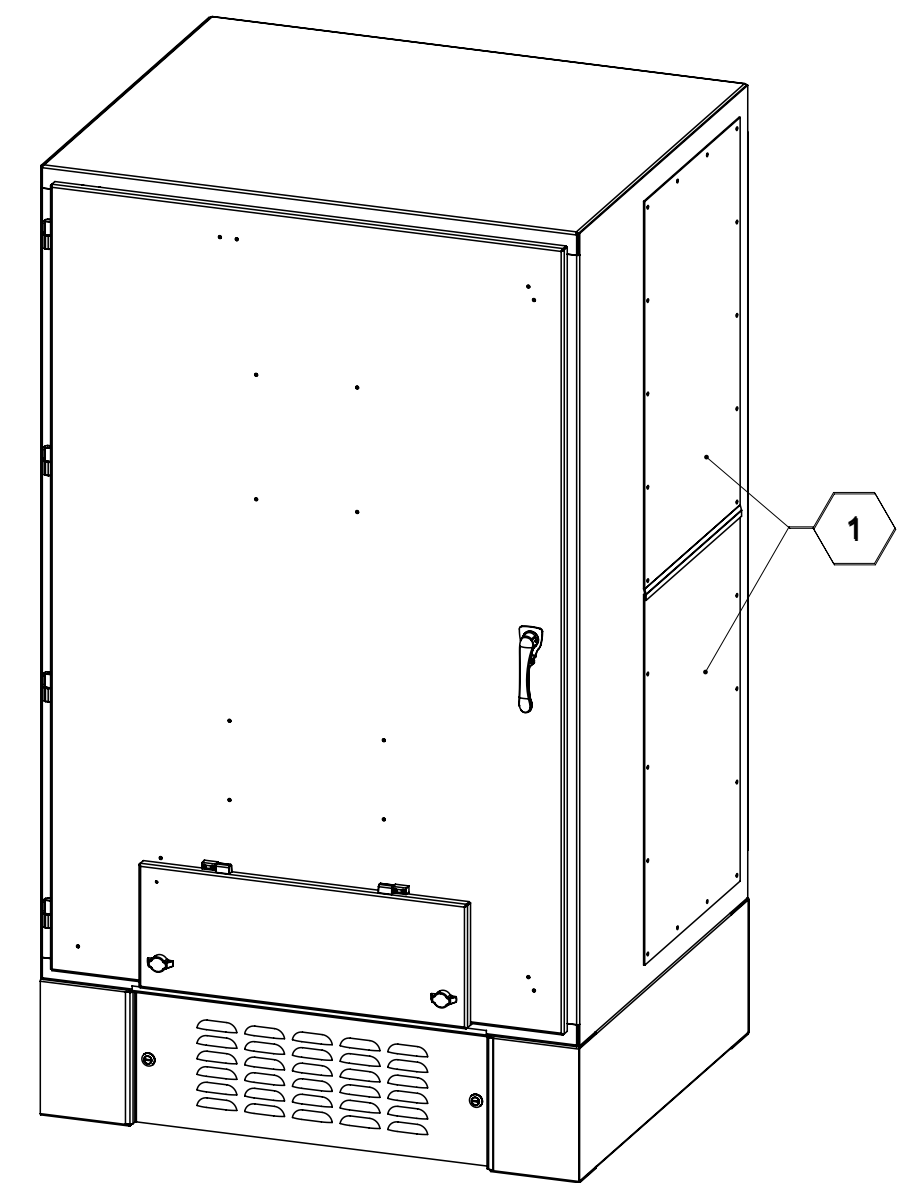
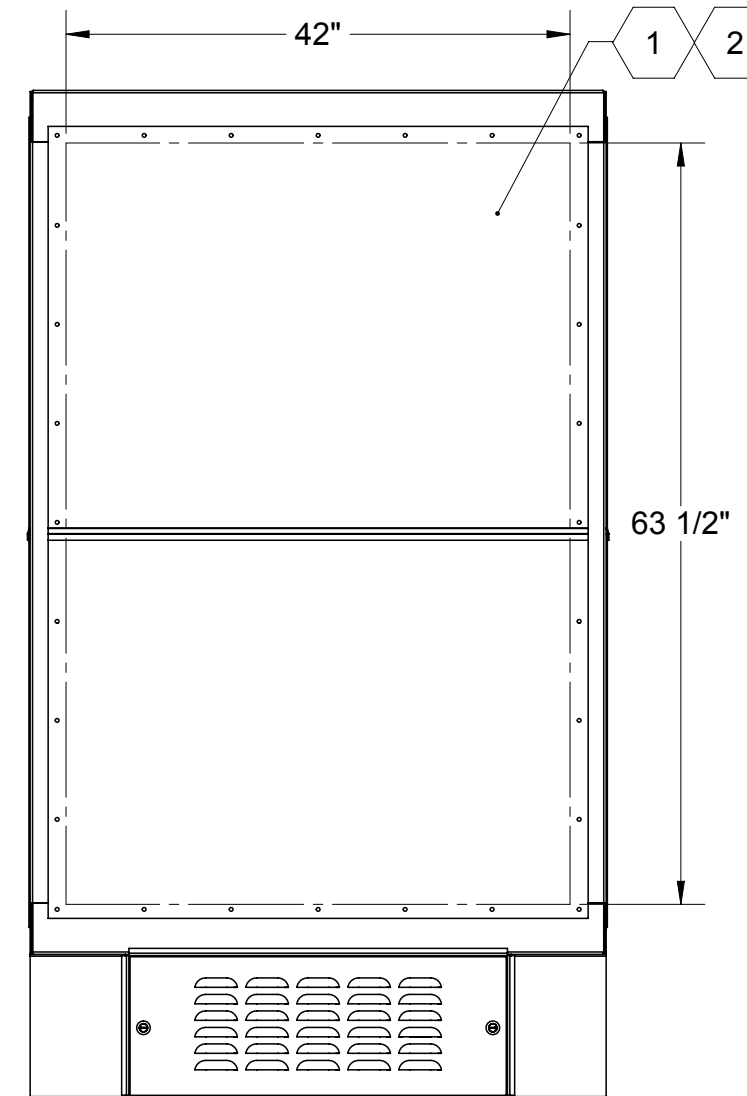
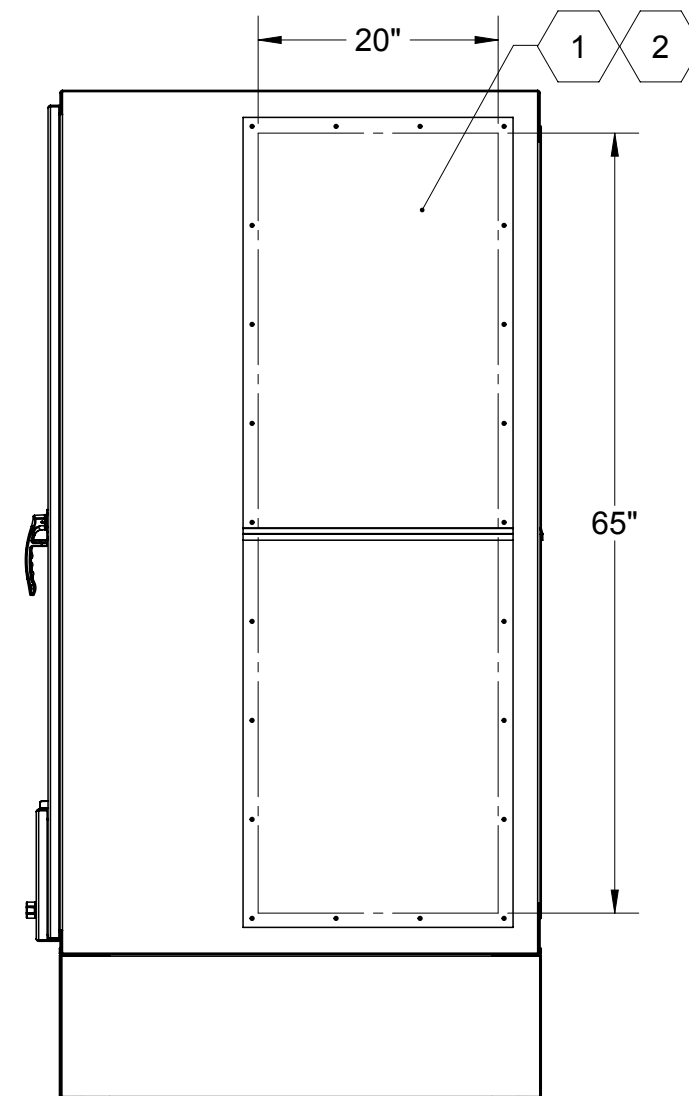
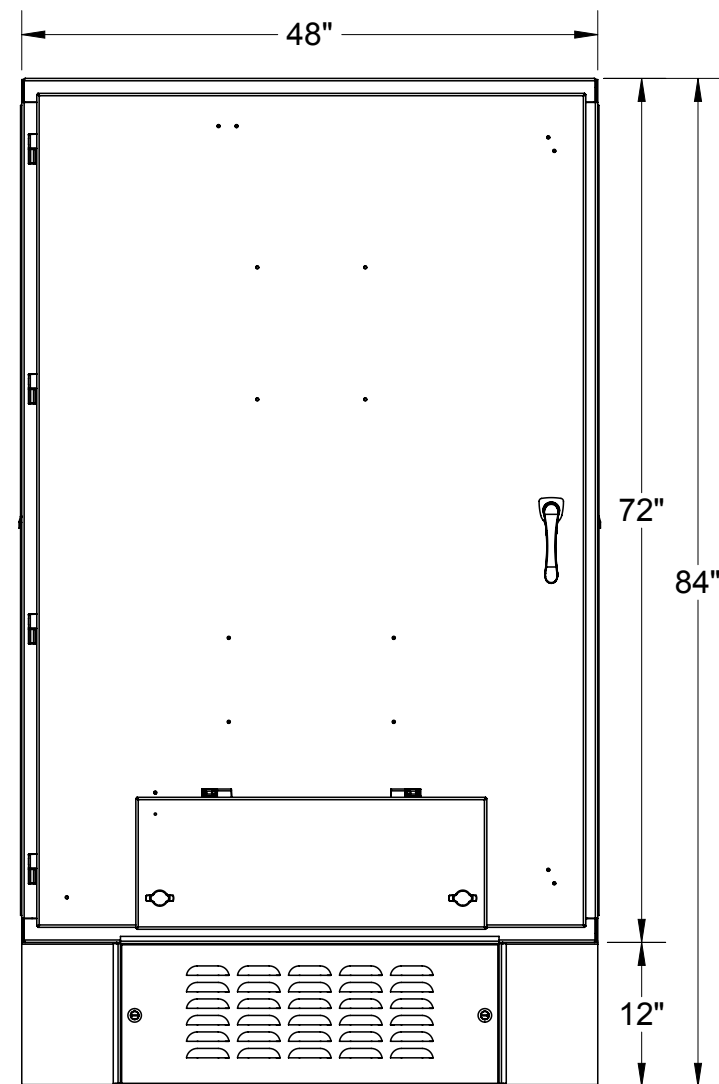
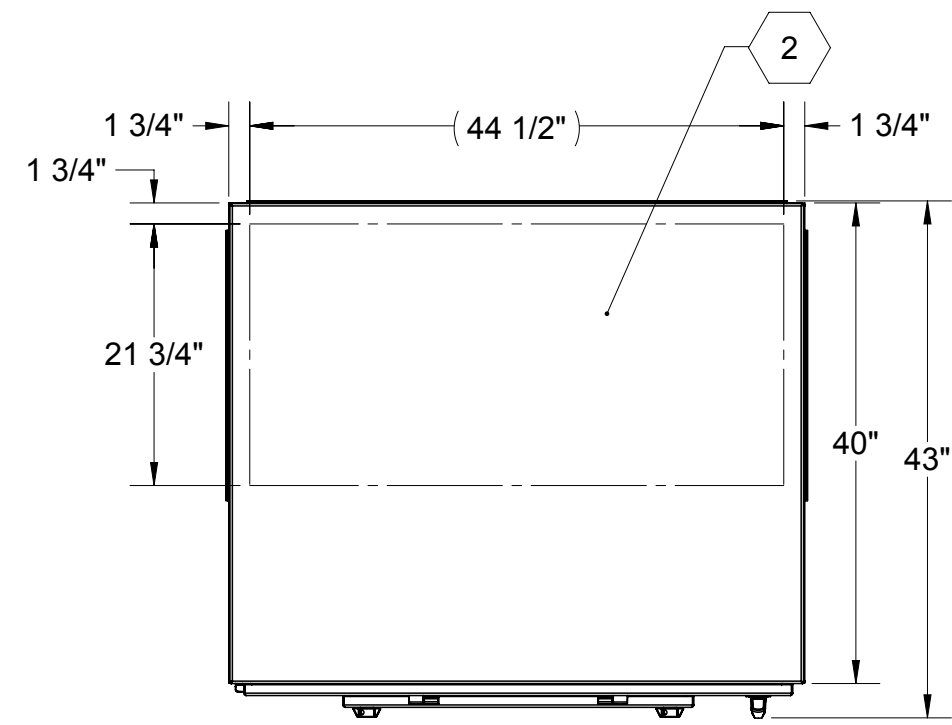


REVISION HISTORY				
REV	DESCRIPTION	ECO	BY	DATE
-01	RELEASED FOR CUSTOMER INQUIRIES	N/A	CWS	02/01/2017

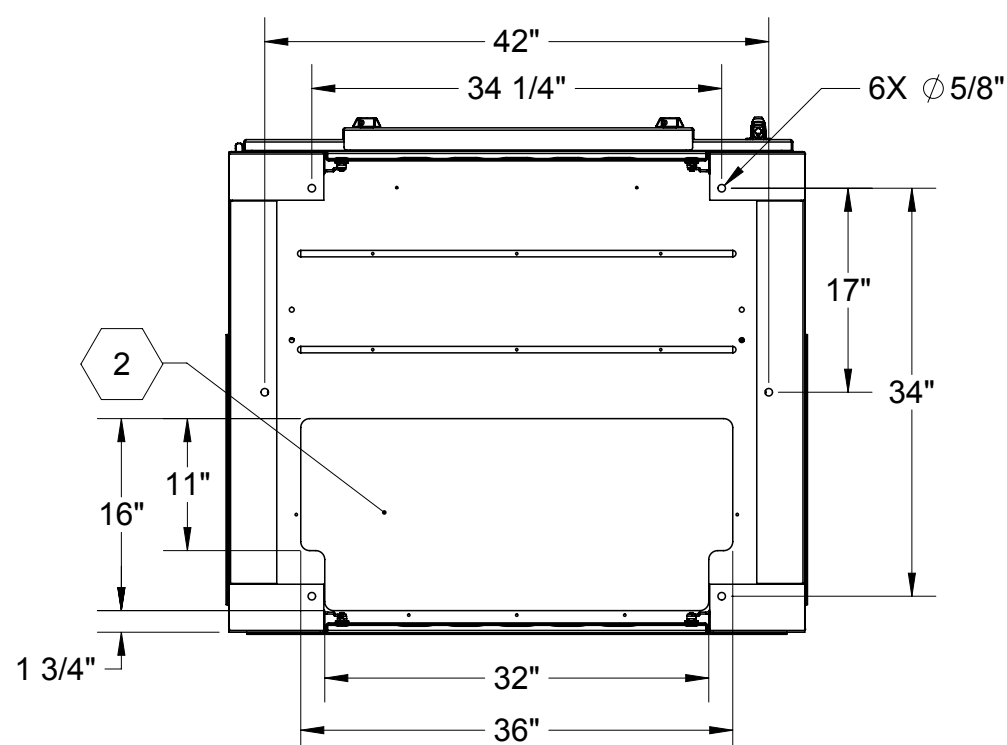
# Padmount Docking Station

ONE-LINES AVAILABLE UPON REQUEST



DIMETRIC VIEW CLOSED  
SCALE 1:16

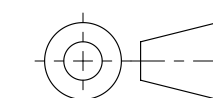
- NOTES:
1. REMOVABLE ACCESS PANEL
  2. CONDUIT ENTRY AREA - SIZE & LOCATION SUBJECT TO CHANGE WITH ADDITION OF FEATURES



**PROPRIETARY AND CONFIDENTIAL**  
THE INFORMATION CONTAINED IN THIS DRAWING IS THE SOLE PROPERTY OF TRYSTAR, INC. ANY REPRODUCTION IN PART OR AS A WHOLE WITHOUT THE WRITTEN PERMISSION OF TRYSTAR, INC. IS PROHIBITED.

UNLESS OTHERWISE SPECIFIED DIM ARE IN INCHES  
TOL ON ANGLE  $\pm 1^\circ$  FRACTION  $\pm 1/16$   
1 PL  $\pm 1/32$  2 PL  $\pm .015$  3 PL  $\pm .010$   
INTERPRET DIM AND TOL PER ASME Y14.5M-1994

THIRD ANGLE PROJECTION



MATERIAL  
FINISH

APPROVALS	
DRAWN: CWS	DRAWN DATE: 2/1/2017
CHECKED:	CHECKED DATE:
ENG:	DATE:
MFG:	DATE:
QA:	DATE:

TRYSTAR, INC. 2917 INDUSTRIAL DRIVE, FARIBAULT, MN 55021 (507) 333-3990 - (866) TRYSTAR - TRYSTAR.COM			
TITLE: PADMOUNT DOCKING STATION; DIMENSIONS & CONDUIT ENRTY AREA			
SIZE C	CAGE CODE 1N5J6	DWG. NO. Pdmt xDS-aavP-xxx(x)	REV -01
SCALE: 1:16		WEIGHT:	SHEET 1 OF 1