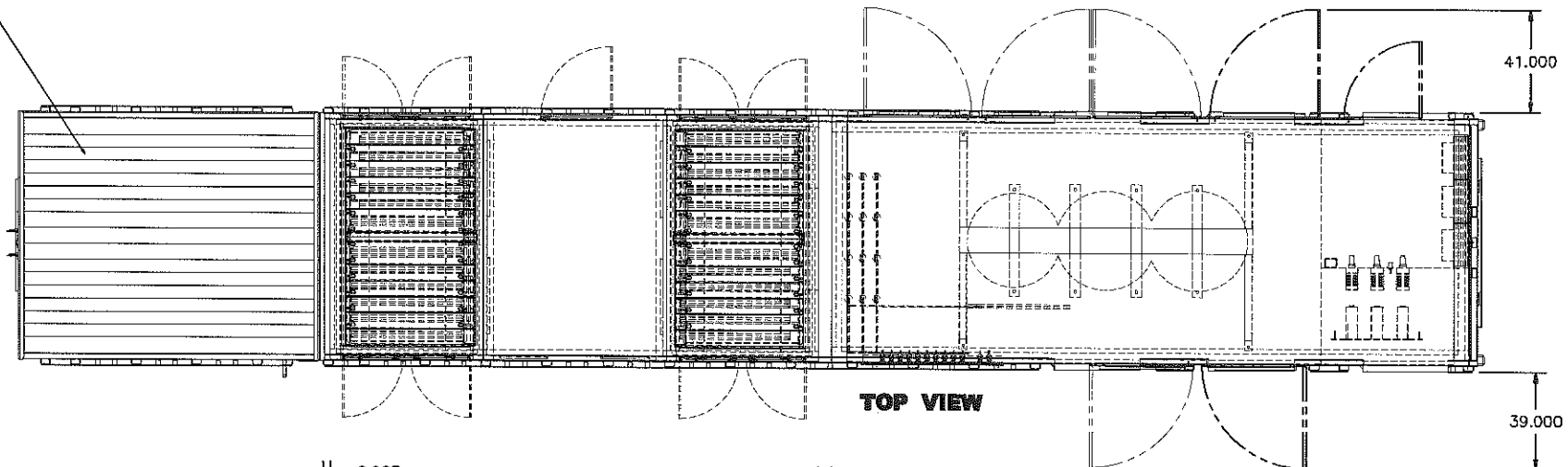
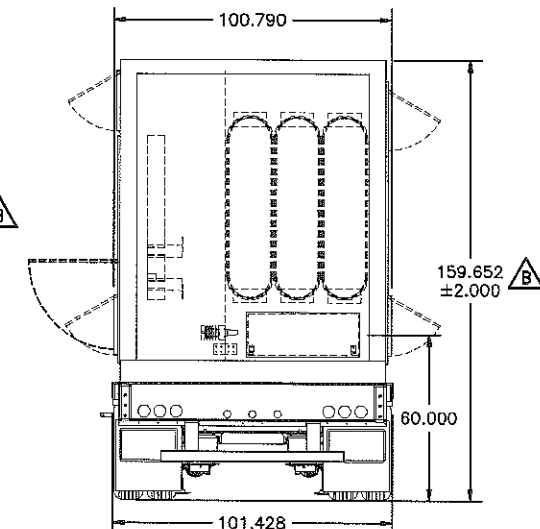
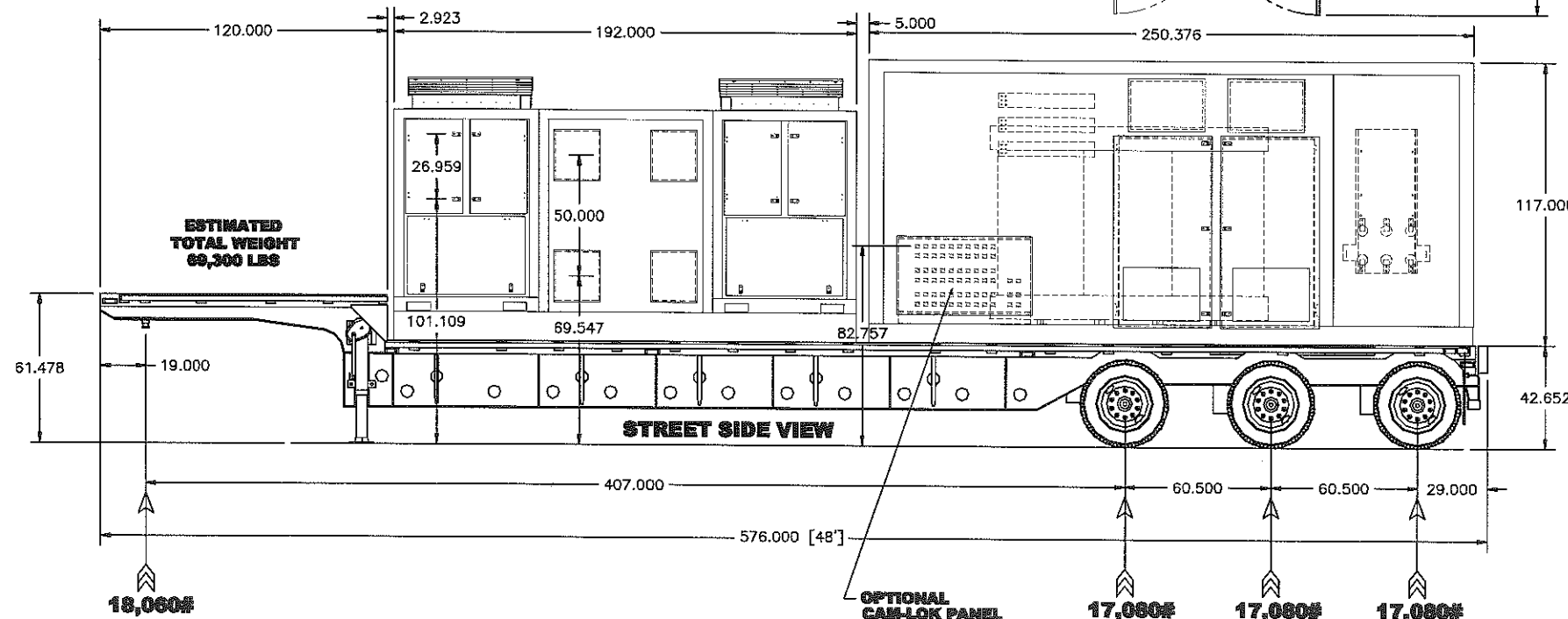


UPPER DECK WOOD SLATS



CONCEPT DRAWING - FOR ILLUSTRATIVE PURPOSES



THE INFORMATION HEREON IS THE PROPERTY OF SIMPLEX, INC., AND/OR ITS SUBSIDIARIES. WITHOUT WRITTEN PERMISSION ANY COPYING, TRANSMITTAL TO OTHERS AND USE EXCEPT THAT FOR WHICH IT IS LOANED IS PROHIBITED.
© 2013 SIMPLEX, INC. ALL RIGHTS RESERVED

SIMPLEX		SPRINGFIELD, ILLINOIS	
SCALE : -	APPROVED BY :	DRAWN BY : RY	
DATE : 4/1/13		REVISED :	
RESISTIVE LOAD BANK SYSTEM 48' LOW BOY TRAILER			
W.O. #		DRAWING NUMBER	