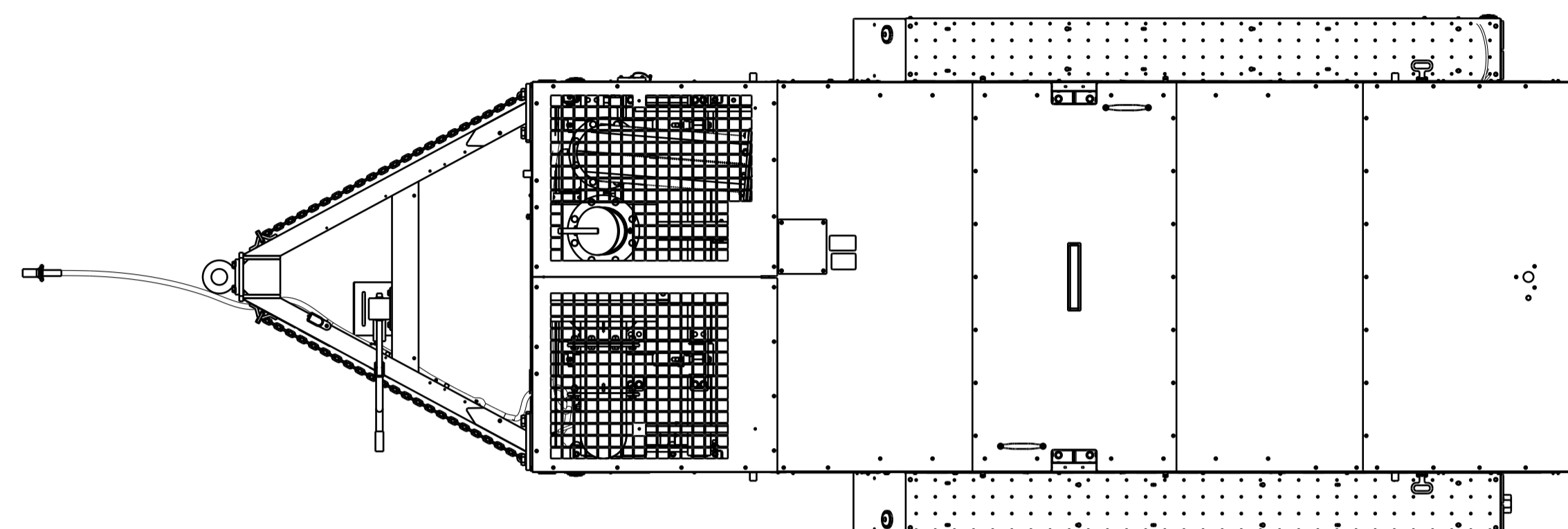


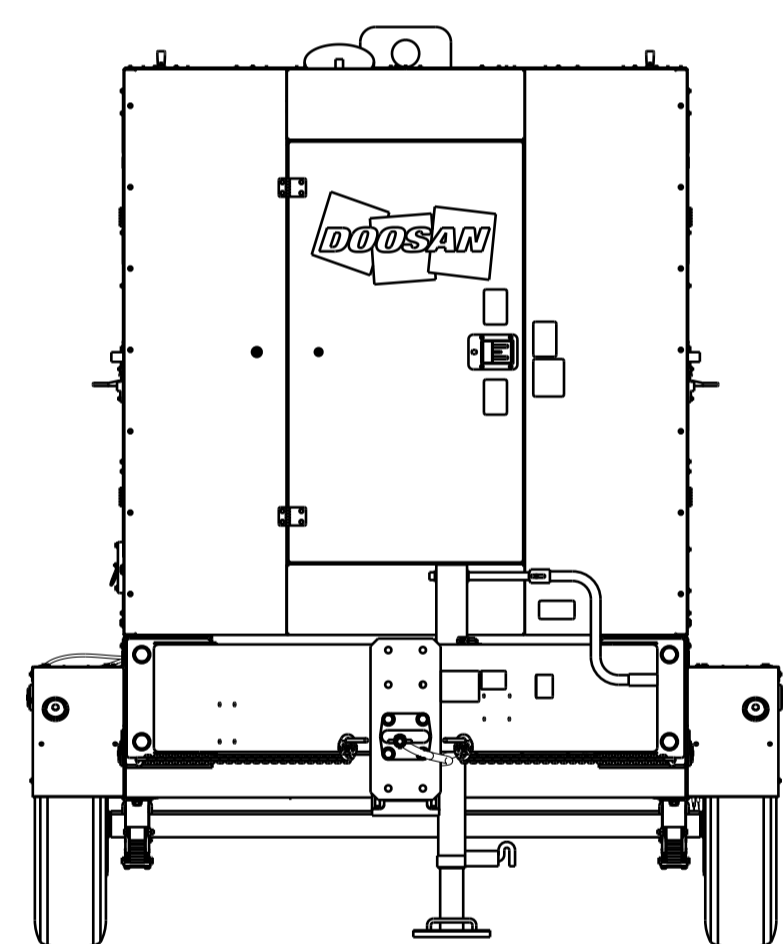
REVISIONS							
ZONE	REV	ECN	DESCRIPTION	DATE	DRAWN	CHECKED	APP'D
-	A	-	RELEASED FOR PRODUCTION	2020SEP21	TTR	FTC	DNC

NOTES:

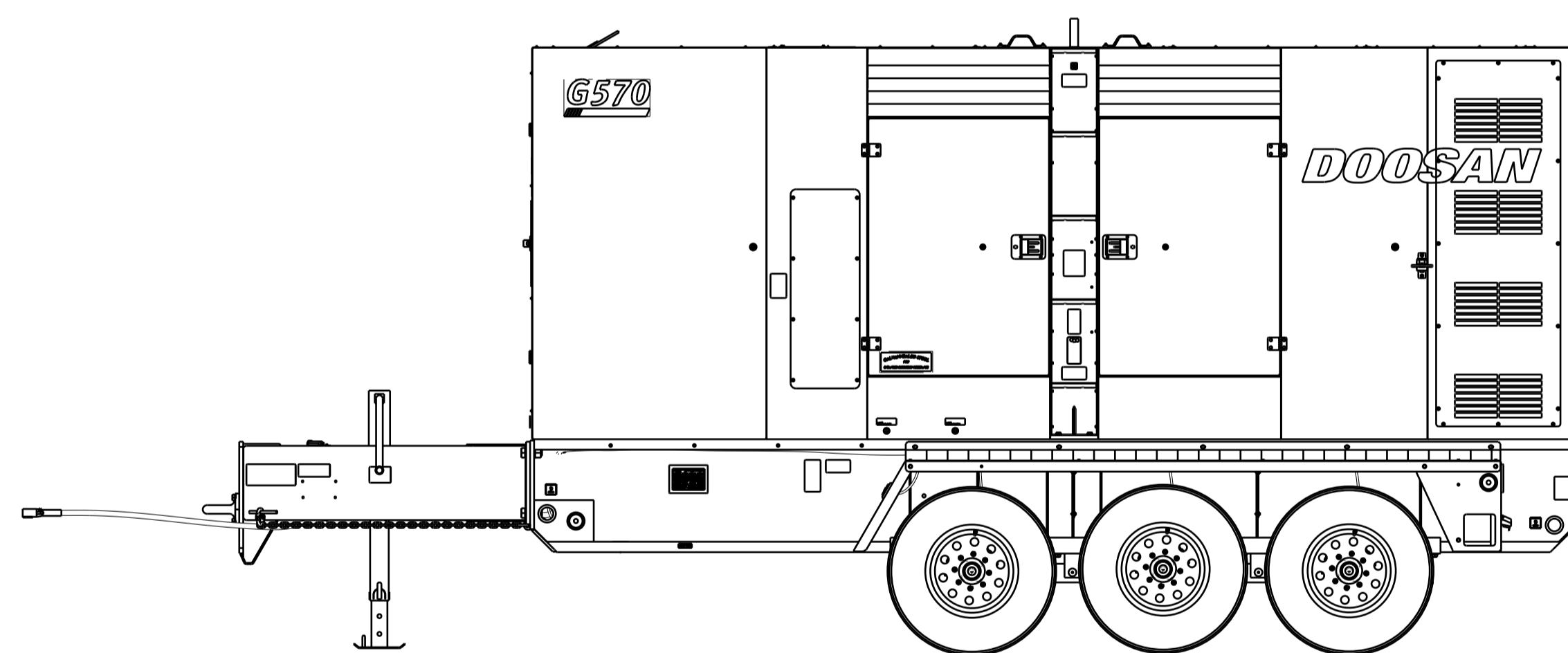
- MINIMUM CLEARANCE OF 36 INCHES FROM OPPOSING SURFACES IS TO BE MAINTAINED ON THE SIDES AND OVERHEAD DURING OPERATION.
- MINIMUM CLEARANCE OF 48 INCHES FROM THE REAR IS TO BE MAINTAINED DURING OPERATION.
- DIMENSIONS ON DRAWING ARE DUAL WITH METRIC VALUE ON TOP AND INCH VALUE PLACED BELOW IN BRACKETS.
- TOTAL FUEL VOLUME: 682.3 GAL
USEABLE FUEL VOLUME: 656.2 GAL
TOTAL DEF VOLUME: 48.6 GAL
USEABLE DEF VOLUME: 46.4 GAL
- AIR FLOW:
 - TOTAL INTAKE AREA: 4925.2 M² [53014.4 FT²]
 - TOTAL EXHAUST AREA: 1104.7 M² [11890.9 FT²]



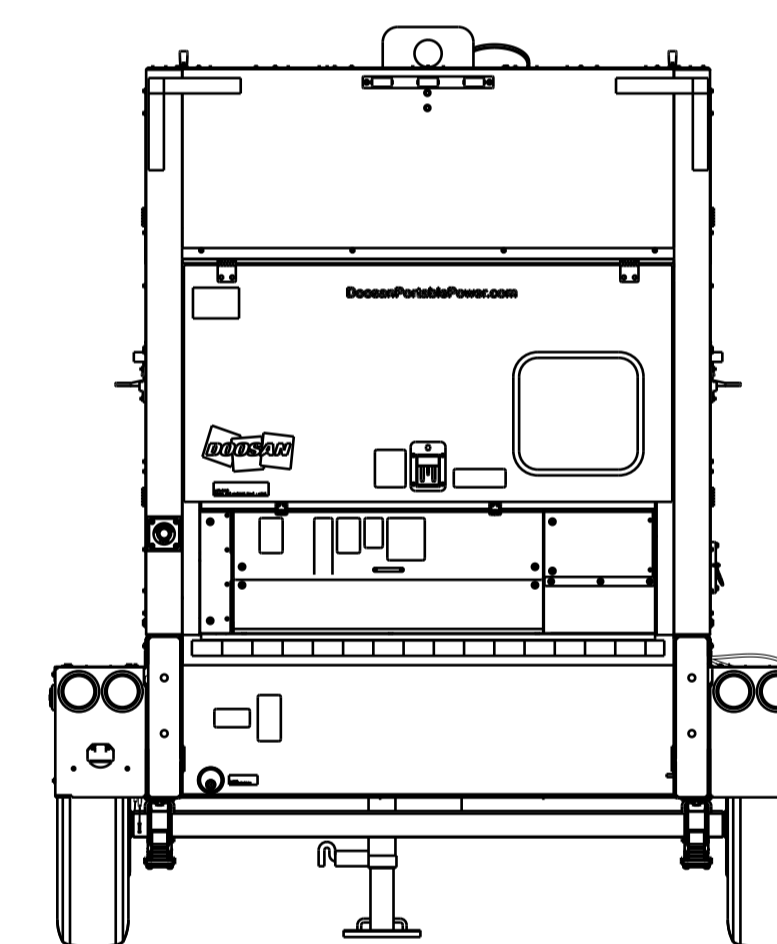
TOP VIEW
(SHEET 4)



FRONT VIEW
(SHEET 5)



LEFT SIDE VIEW
(SHEET 2)



REAR VIEW
(SHEET 5)

MODEL	OPERATING WEIGHT		CENTER OF GRAVITY		
	NO OPTIONS	FULL OPTIONS	X - LOC	Y - LOC	Z - LOC
RG (WITH FUEL)	10693 KG [23574 LB]	10897 KG [24024 LB]	2618.0 [103.07]	-2.0 [-0.08]	214.0 [8.43]
RG (WITHOUT FUEL)	8544 KG [18836 LBS]	8748 KG [19286 LB]	2588.0 [101.89]	-3.0 [-0.12]	345.0 [13.58]
LRG (WITH FUEL)	9836 KG [21686 LB]	10041 KG [22136 LBS]	2668.0 [105.04]	-2.0 [-0.08]	286.0 [11.26]
LRG (WITHOUT FUEL)	7687 KG [16948 LB]	7892 KG [17398 LB]	2649.0 [104.29]	-2.0 [-0.08]	456.0 [17.95]

TOLERANCES	PROPRIETARY NOTICE
UNLESS OTHERWISE SPECIFIED, TOLERANCES ON DIMENSIONS ARE AS SPECIFIED ON DRAWING 36865731	THIS DRAWING CONTAINS CONFIDENTIAL AND TRADE SECRET INFORMATION, IS THE PROPERTY OF DOOSAN PORTABLE POWER AND IS GIVEN TO THE RECEIVER IN CONFIDENCE. THE RECEIVER BY RECEPTION AND RETENTION OF THE DRAWING ACCEPTS THE DRAWING IN CONFIDENCE AND AGREES THAT, EXCEPT AS AUTHORIZED IN WRITING BY DOOSAN PORTABLE POWER IT WILL (1) NOT USE THE DRAWING COPY THEREOF OR THE CONFIDENTIAL OR TRADE SECRET OR ANY INFORMATION THEREIN; (2) NOT COPY THE DRAWING; (3) NOT DISCLOSE TO OTHERS EITHER THE DRAWING OR THE CONFIDENTIAL OR TRADE SECRET INFORMATION THEREIN; AND (4) UPON COMPLETION OF THE NEED TO RETAIN THE DRAWING, OR UPON DEMAND, RETURN THE DRAWING, ALL COPIES THEREOF, AND ALL MATERIAL COPIED THEREFROM.
UNLESS OTHERWISE SPECIFIED, ALL DIMENSIONS ARE IN MILLIMETERS.	

WARNING: THE EXPORT OR REEXPORT OF THIS DRAWING OR A PRODUCT PRODUCED BY THIS DRAWING IS SUBJECT TO U.S. EXPORT ADMINISTRATION REGULATIONS AND OTHER APPLICABLE GOVERNMENT RESTRICTIONS OR REGULATIONS.

COPYRIGHT © 2020 DOOSAN PORTABLE POWER ALL RIGHTS RESERVED

DO NOT SCALE DRAWING

DOOSAN
Portable Power

DRAWING CONFORMS TO ASME Y14.5 - 2009

THIRD ANGLE PROJECTION

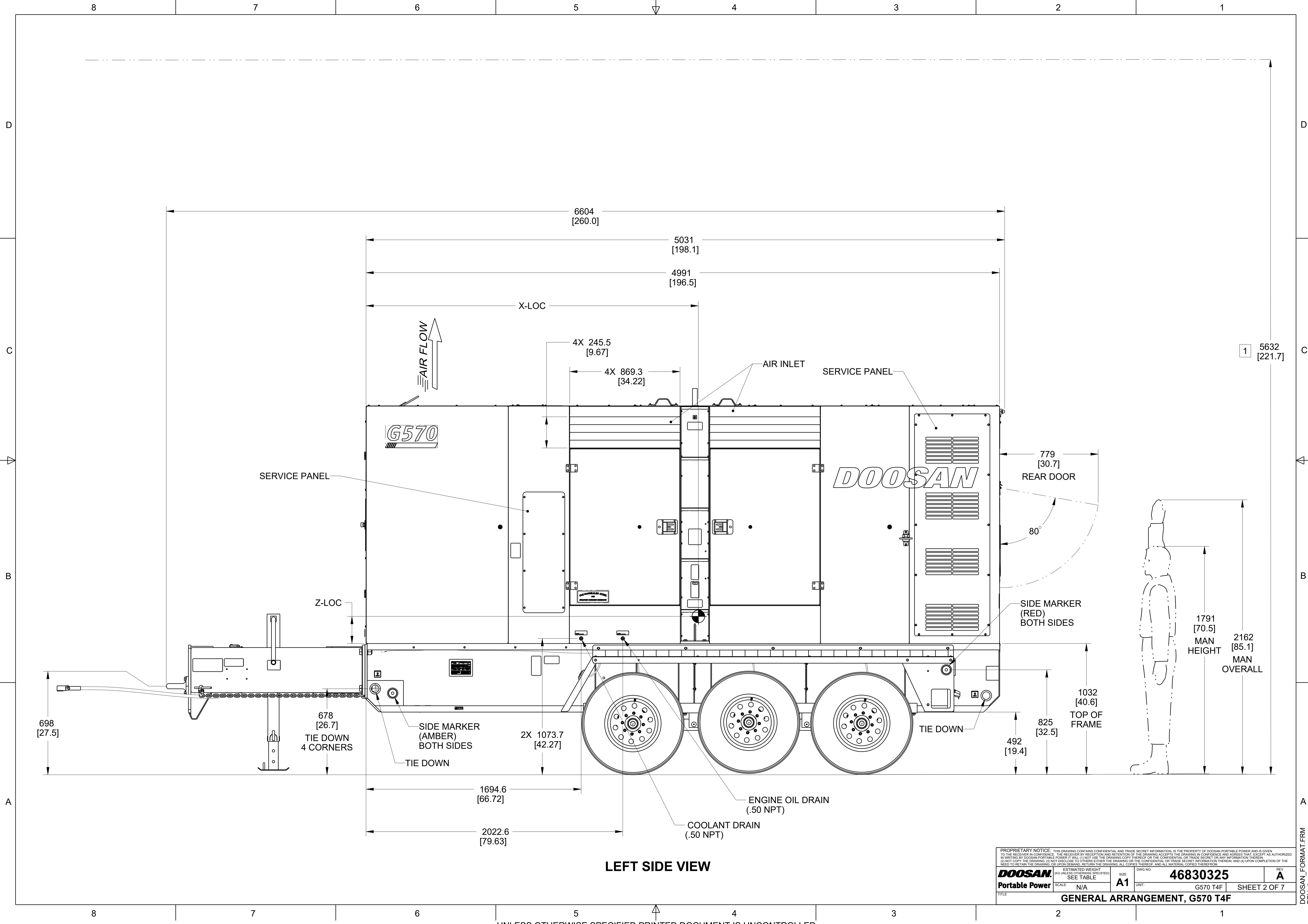
WELD SYMBOLS PER ANSI/AWS A2.4

CAD GENERATED DRAWING, NO MANUAL REVISIONS ALLOWED

UNLESS OTHERWISE SPECIFIED, REMOVE ALL BURRS AND SHARP CORNERS

SIZE: A1	ESTIMATED WEIGHT (KG UNLESS OTHERWISE SPECIFIED): SEE TABLE	DWG NO.: 46830325	REV: A
SCALE: N/A	UNIT: G570 T4F	SHEET 1 OF 7	

GENERAL ARRANGEMENT, G570 T4F

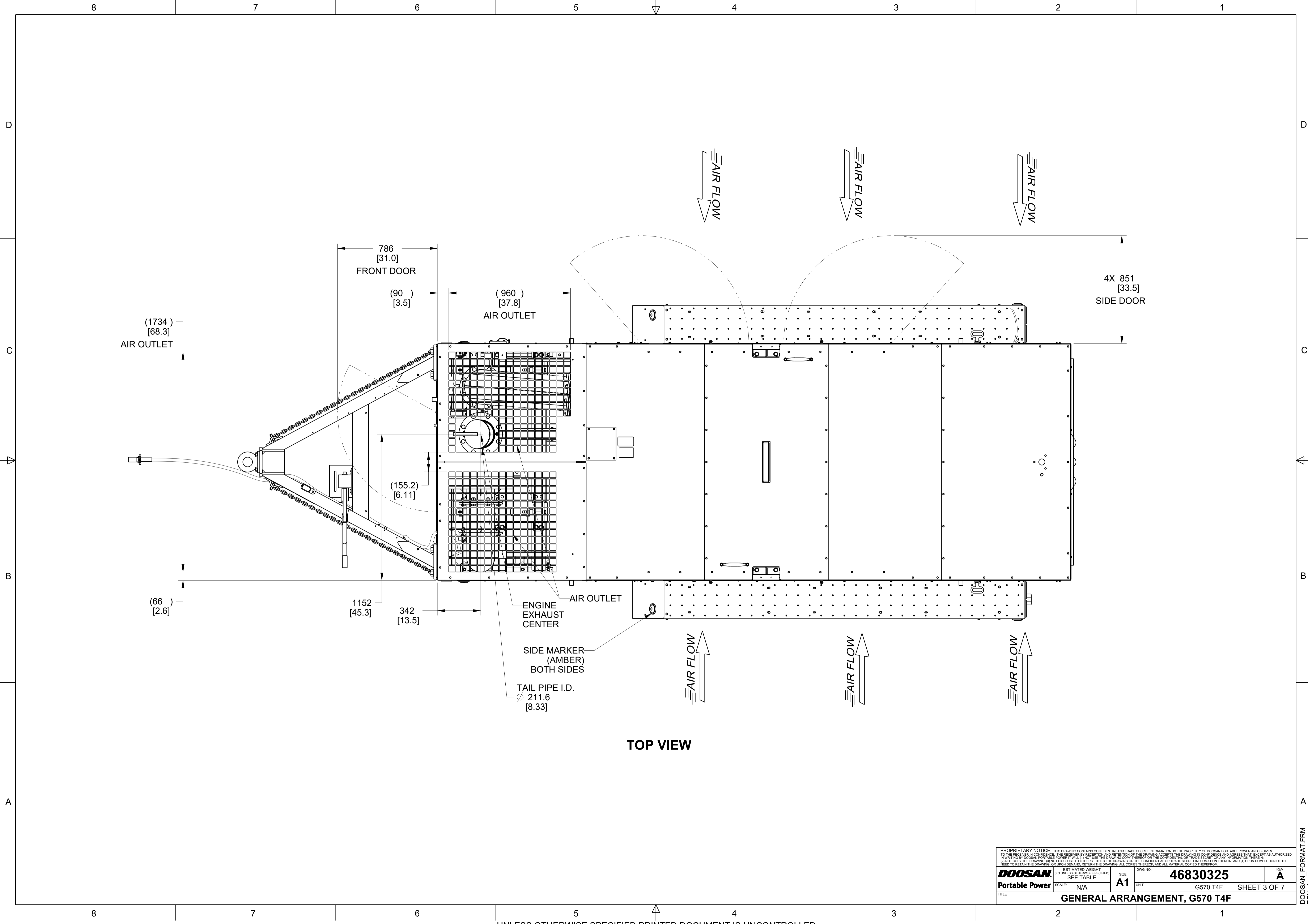


LEFT SIDE VIEW

PROPRIETARY NOTICE: THIS DRAWING CONTAINS CONFIDENTIAL AND TRADE SECRET INFORMATION. IS THE PROPERTY OF DOOSAN PORTABLE POWER AND IS GIVEN TO THE RECEIVER IN CONFIDENCE. THE RECEIVER BY RECEIPT AND RETENTION OF THE DRAWING ACCEPTS THE DRAWING IN CONFIDENCE AND AGREES THAT, EXCEPT AS AUTHORIZED IN WRITING BY DOOSAN PORTABLE POWER IT WILL (1) NOT USE THE DRAWING COPY THEREOF OR THE CONFIDENTIAL OR TRADE SECRET OR ANY INFORMATION THEREIN; (2) NOT COPY THE DRAWING; (3) NOT DISCLOSE TO OTHERS EITHER THE DRAWING OR THE CONFIDENTIAL OR TRADE SECRET INFORMATION THEREIN; AND (4) UPON COMPLETION OF THE NEED TO RETAIN THE DRAWING, OR UPON DEMAND, RETURN THE DRAWING, ALL COPIES THEREOF, AND ALL MATERIAL COPIED THEREFROM.

DOOSAN Portable Power	ESTIMATED WEIGHT SEE TABLE	SCALE: N/A	SIZE A1	DWG NO. 46830325	REV A
TITLE GENERAL ARRANGEMENT, G570 T4F			UNIT: G570 T4F	SHEET 2 OF 7	

DOOSAN_FORMAT.FRM
REV. J



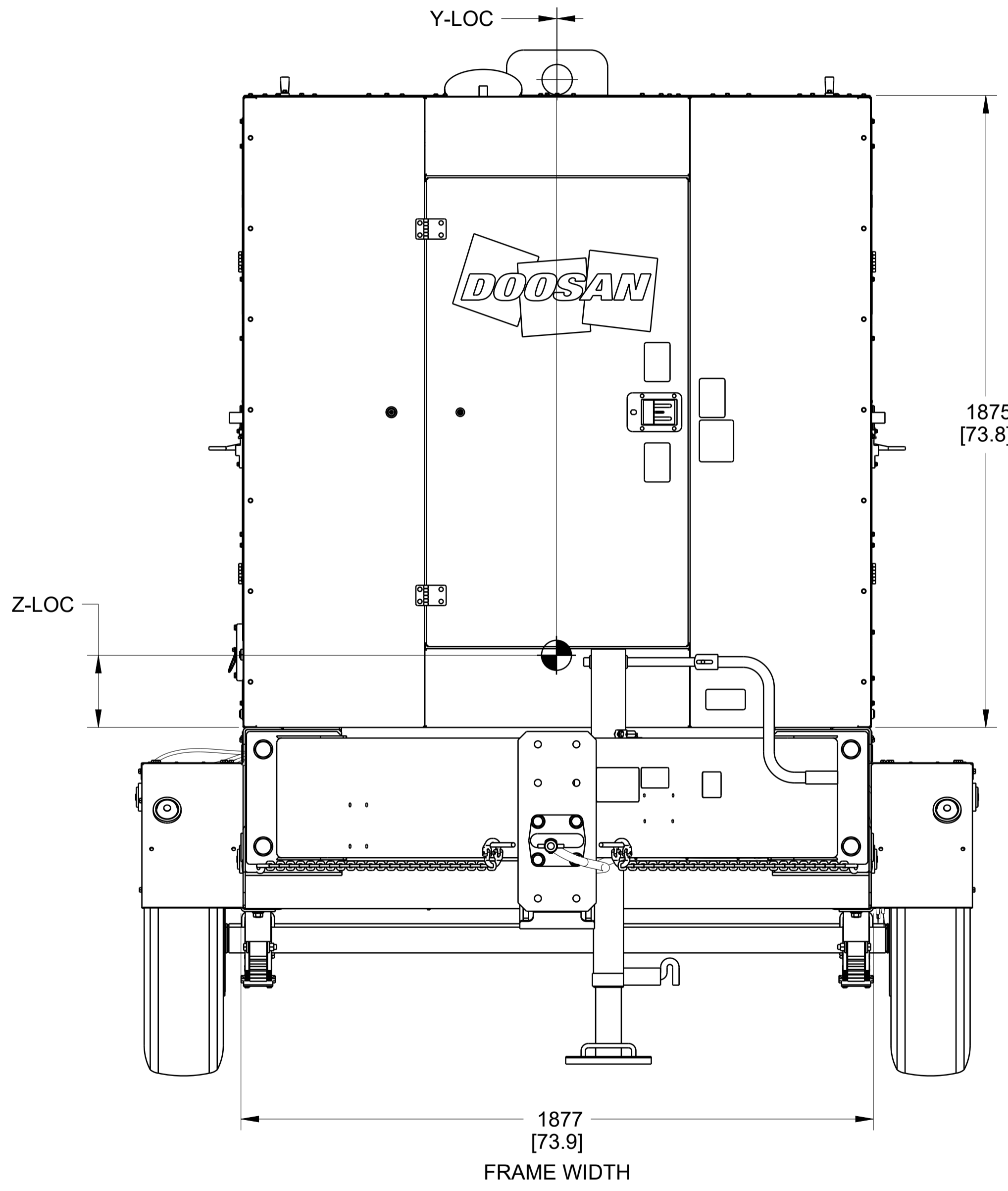
TOP VIEW

PROPRIETARY NOTICE: THIS DRAWING CONTAINS CONFIDENTIAL AND TRADE SECRET INFORMATION. IT IS THE PROPERTY OF DOOSAN PORTABLE POWER AND IS GIVEN TO THE RECEIVER IN CONFIDENCE. THE RECEIVER BY RECEPTION AND RETENTION OF THE DRAWING ACCEPTS THE DRAWING IN CONFIDENCE AND AGREES THAT, EXCEPT AS AUTHORIZED IN WRITING BY DOOSAN PORTABLE POWER IT WILL (1) NOT USE THE DRAWING COPY THEREOF OR THE CONFIDENTIAL OR TRADE SECRET OR ANY INFORMATION THEREIN; (2) NOT COPY THE DRAWING; (3) NOT DISCLOSE TO OTHERS EITHER THE DRAWING OR THE CONFIDENTIAL OR TRADE SECRET INFORMATION THEREIN; AND (4) UPON COMPLETION OF THE NEED TO RETAIN THE DRAWING, OR UPON DEMAND, RETURN THE DRAWING, ALL COPIES THEREOF, AND ALL MATERIAL COPIED THEREFROM.

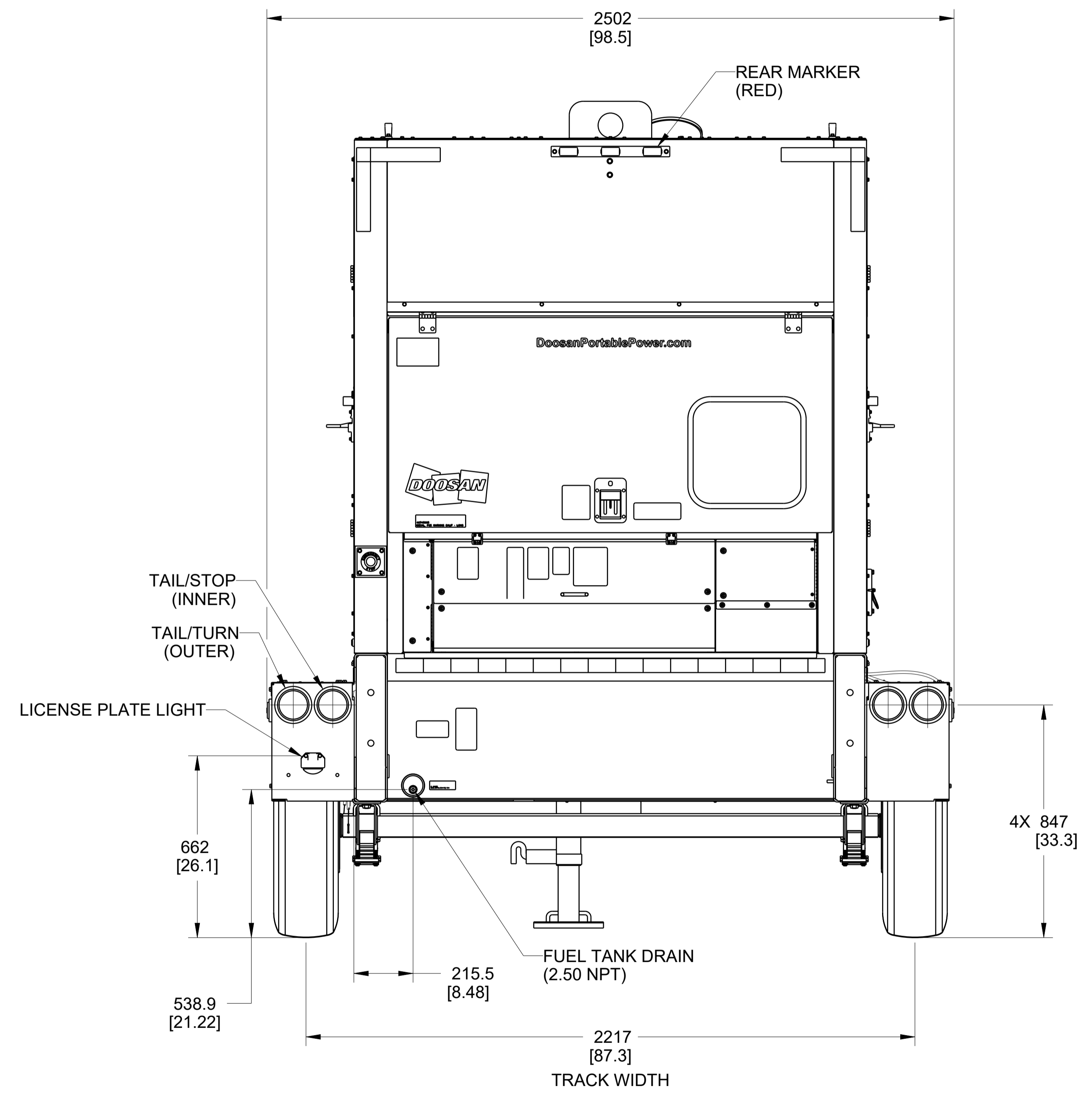
ESTIMATED WEIGHT (KG UNLESS OTHERWISE SPECIFIED) DOOSAN Portable Power	SCALE: N/A	SIZE A1	DWG NO. 46830325	REV A
TITLE GENERAL ARRANGEMENT, G570 T4F		UNIT: G570 T4F	SHEET 3 OF 7	

8 7 6 5 4 3 2 1

D
C
B
A



FRONT VIEW



REAR VIEW

PROPRIETARY NOTICE: THIS DRAWING CONTAINS CONFIDENTIAL AND TRADE SECRET INFORMATION. IT IS THE PROPERTY OF DOOSAN PORTABLE POWER AND IS GIVEN TO THE RECEIVER IN CONFIDENCE. THE RECEIVER BY RECEIPT AND RETENTION OF THE DRAWING ACCEPTS THE DRAWING IN CONFIDENCE AND AGREES THAT, EXCEPT AS AUTHORIZED IN WRITING BY DOOSAN PORTABLE POWER IT WILL (1) NOT USE THE DRAWING COPY THEREOF OR THE CONFIDENTIAL OR TRADE SECRET OR ANY INFORMATION THEREIN; (2) NOT COPY THE DRAWING; (3) NOT DISCLOSE TO OTHERS EITHER THE DRAWING OR THE CONFIDENTIAL OR TRADE SECRET INFORMATION THEREIN; AND (4) UPON COMPLETION OF THE NEED TO RETAIN THE DRAWING, OR UPON DEMAND, RETURN THE DRAWING, ALL COPIES THEREOF, AND ALL MATERIAL COPIED THEREFROM.

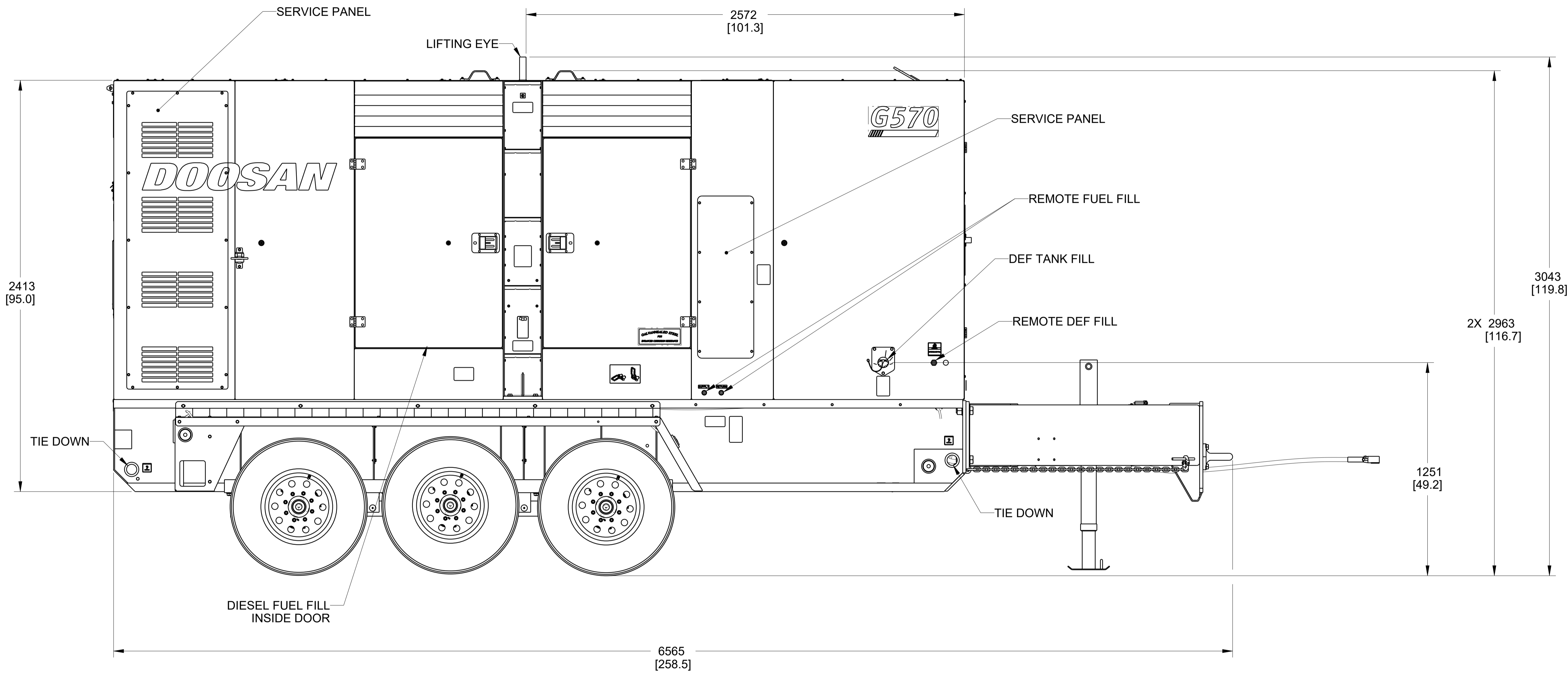
ESTIMATED WEIGHT (KG UNLESS OTHERWISE SPECIFIED)	SIZE	DWG NO.	REV
SEE TABLE	A1	46830325	A
SCALE: N/A	UNIT: G570 T4F	SHEET 4 OF 7	
TITLE: GENERAL ARRANGEMENT, G570 T4F			

8 7 6 5 4 3 2 1

DOOSAN_FORMAT.FRM
REV. J

8 7 6 5 4 3 2 1

D
C
B
A



RIGHT SIDE VIEW

8 7 6 5 4 3 2 1

UNLESS OTHERWISE SPECIFIED PRINTED DOCUMENT IS UNCONTROLLED

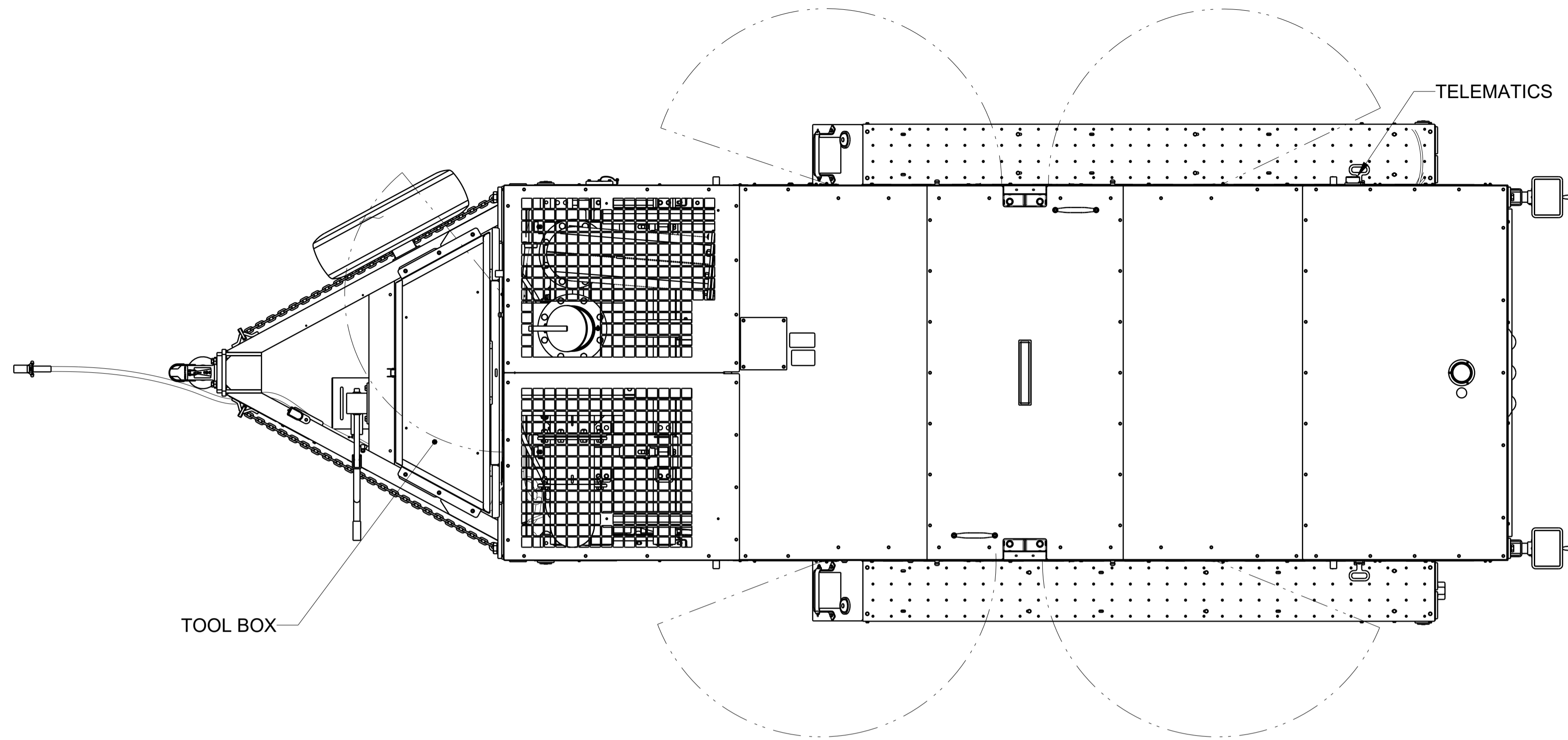
PROPRIETARY NOTICE: THIS DRAWING CONTAINS CONFIDENTIAL AND TRADE SECRET INFORMATION. IS THE PROPERTY OF DOOSAN PORTABLE POWER AND IS GIVEN TO THE RECEIVER IN CONFIDENCE. THE RECEIVER BY RECEIPT AND RETENTION OF THE DRAWING ACCEPTS THE DRAWING IN CONFIDENCE AND AGREES THAT, EXCEPT AS AUTHORIZED IN WRITING BY DOOSAN PORTABLE POWER IT WILL (1) NOT USE THE DRAWING COPY THEREOF OR THE CONFIDENTIAL OR TRADE SECRET OR ANY INFORMATION THEREIN; (2) NOT COPY THE DRAWING; (3) NOT DISCLOSE TO OTHERS EITHER THE DRAWING OR THE CONFIDENTIAL OR TRADE SECRET INFORMATION THEREIN; AND (4) UPON COMPLETION OF THE NEED TO RETAIN THE DRAWING, OR UPON DEMAND, RETURN THE DRAWING, ALL COPIES THEREOF, AND ALL MATERIAL COPIED THEREFROM.

DOOSAN Portable Power	ESTIMATED WEIGHT (KG UNLESS OTHERWISE SPECIFIED) SEE TABLE	SCALE: N/A	SIZE A1	DWG NO. 46830325	REV A
	TITLE GENERAL ARRANGEMENT, G570 T4F			UNIT: G570 T4F	SHEET 5 OF 7

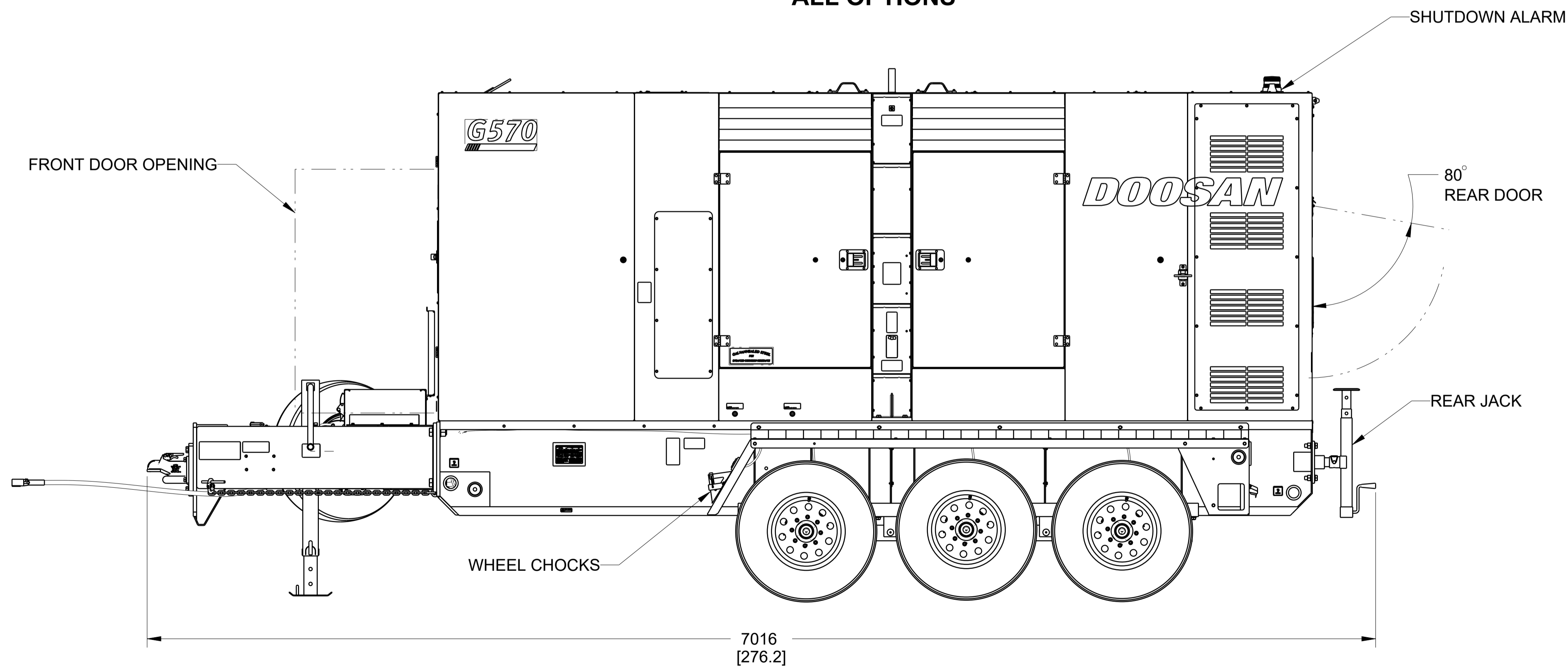
DOOSAN_FORMAT.FRM
REV. J

8 7 6 5 4 3 2 1

D
C
B
A



TOP VIEW
ALL OPTIONS



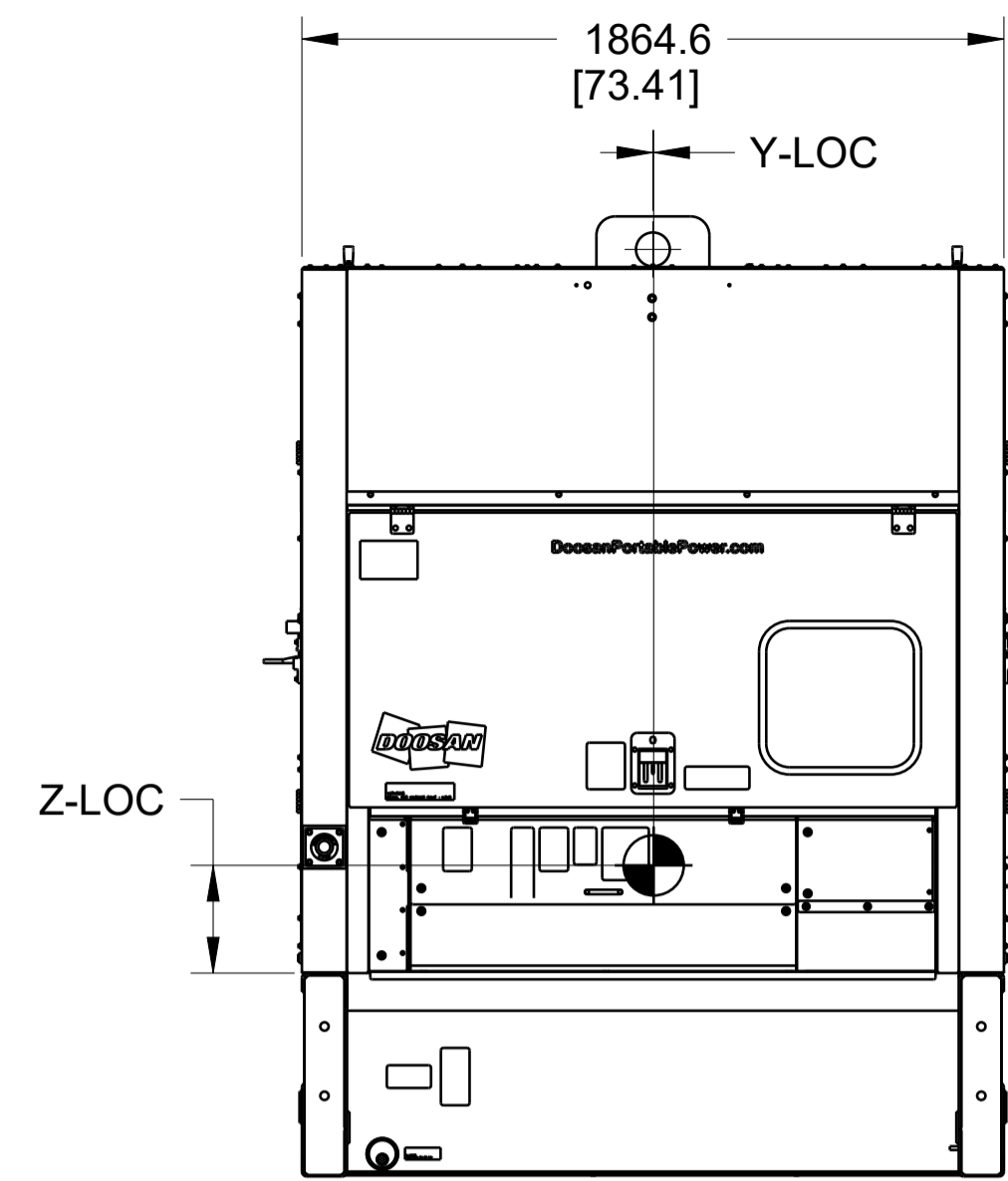
LEFT SIDE VIEW
ALL OPTIONS

PROPRIETARY NOTICE: THIS DRAWING CONTAINS CONFIDENTIAL AND TRADE SECRET INFORMATION. IT IS THE PROPERTY OF DOOSAN PORTABLE POWER AND IS GIVEN TO THE RECEIVER IN CONFIDENCE. THE RECEIVER BY RECEIPT AND RETENTION OF THE DRAWING ACCEPTS THE DRAWING IN CONFIDENCE AND AGREES THAT, EXCEPT AS AUTHORIZED IN WRITING BY DOOSAN PORTABLE POWER IT WILL (1) NOT USE THE DRAWING COPY THEREOF OR THE CONFIDENTIAL OR TRADE SECRET OR ANY INFORMATION THEREIN; (2) NOT COPY THE DRAWING; (3) NOT DISCLOSE TO OTHERS EITHER THE DRAWING OR THE CONFIDENTIAL OR TRADE SECRET INFORMATION THEREIN; AND (4) UPON COMPLETION OF THE NEED TO RETAIN THE DRAWING, OR UPON DEMAND, RETURN THE DRAWING, ALL COPIES THEREOF, AND ALL MATERIAL COPIED THEREFROM.

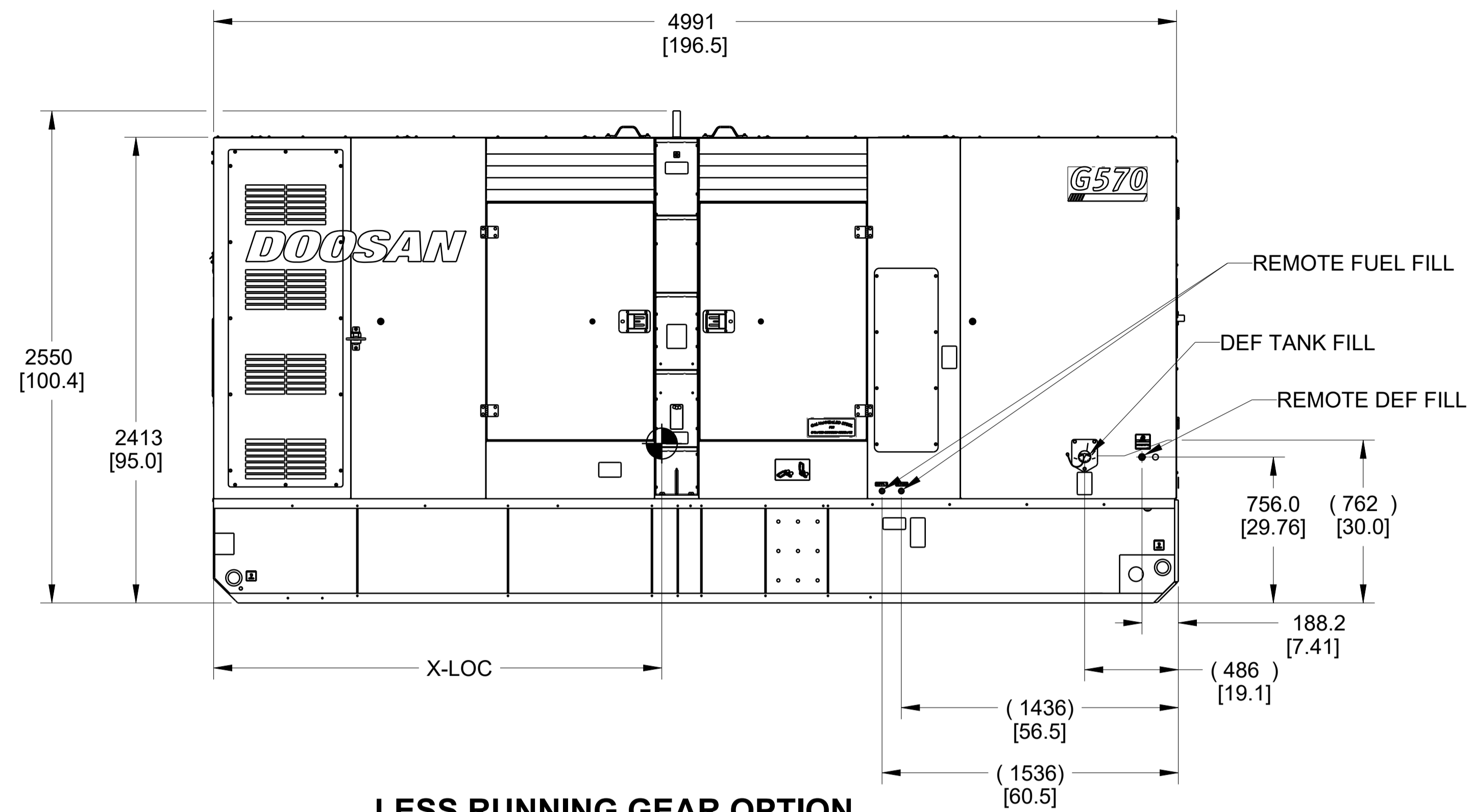
ESTIMATED WEIGHT SEE TABLE	SIZE A1	DWG NO. 46830325	REV A
SCALE N/A	UNIT G570 T4F	SHEET 6 OF 7	
TITLE GENERAL ARRANGEMENT, G570 T4F			

8 7 6 5 4 3 2 1

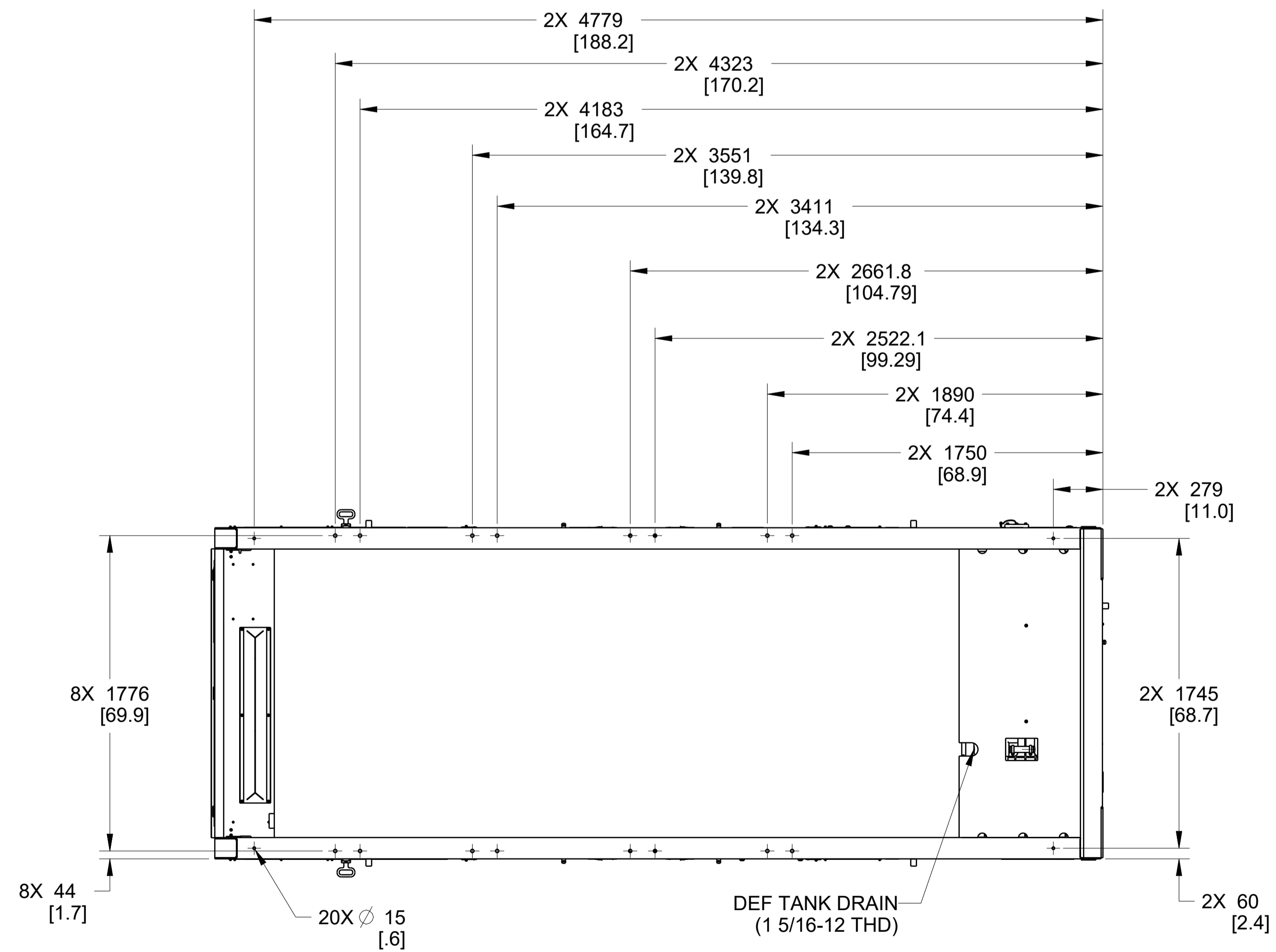
DOOSAN_FORMAT.FRM
REV. J



**LESS RUNNING GEAR OPTION
(CONTROLS VIEW)**



**LESS RUNNING GEAR OPTION
(LEFT VIEW)**



**LESS RUNNING GEAR OPTION
(BOTTOM VIEW)**

PROPRIETARY NOTICE: THIS DRAWING CONTAINS CONFIDENTIAL AND TRADE SECRET INFORMATION. IT IS THE PROPERTY OF DOOSAN PORTABLE POWER AND IS GIVEN TO THE RECEIVER IN CONFIDENCE. THE RECEIVER BY RECEIPT AND RETENTION OF THE DRAWING ACCEPTS THE DRAWING IN CONFIDENCE AND AGREES THAT, EXCEPT AS AUTHORIZED IN WRITING BY DOOSAN PORTABLE POWER IT WILL (1) NOT USE THE DRAWING COPY THEREOF OR THE CONFIDENTIAL OR TRADE SECRET OR ANY INFORMATION THEREIN; (2) NOT COPY THE DRAWING, OR NOT DISCLOSE TO OTHERS EITHER THE DRAWING OR THE CONFIDENTIAL OR TRADE SECRET INFORMATION THEREIN; AND (3) UPON COMPLETION OF THE NEED TO RETAIN THE DRAWING, OR UPON DEMAND, RETURN THE DRAWING, ALL COPIES THEREOF, AND ALL MATERIAL COPIED THEREFROM.

ESTIMATED WEIGHT (KG UNLESS OTHERWISE SPECIFIED)	SIZE	DWG NO.	REV
SEE TABLE	A1	46830325	A
SCALE: N/A	UNIT:	G570 T4F	SHEET 7 OF 7
TITLE: GENERAL ARRANGEMENT, G570 T4F			