

THE INDUSTRY'S LARGEST SELECTION OF GENERATOR DOCKING STATION SOLUTIONS

Trystar Generator Docking Stations are designed to safely connect and disconnect a portable generator to a building, lift station, or portable piece of equipment. During a power outage, a generator docking station allows you to quickly return power without an electrician, which helps protect your building from the risks and costs of power loss.

Generator Docking Stations can also be used to support temporary and emergency power needs for pandemic response, mass casualty disasters and other urgent needs, including medical testing/screening centers and temporary hospitals.

Usually, during a power failure or emergency, electricians are in high-demand, resulting in shortages and additional fees. Trystar generator docking stations makes it easy for you to restore power to your building with minimal delay.

KEY END USER BENEFITS

- Eliminate need to make costly modifications to accommodate temporary generator install
- Eliminate need for onsite electrician to make hardwire terminations
- Reduces wear and tear on mechanical components through industry standard camlok connections
- Minimize facility downtime by incorporating a fast, safe, and legal connection to temporary power
- Control placement of temporary generator to allow adequate space for fueling, cabling, and monitoring



STANDARD TRYSTAR SPECIFIC FEATURES:

- Standard phase rotation monitor on all three phase products
- Corrosion resistant powder coated aluminum construction
- ETL listed UL 1008 standards without need for fans for external cooling devices
- Tamper resistant cable rake system

GENERATOR DOCKING STATION

FEATURES AND OPTIONS



APPLICATION RANGE

- 100-4000A
- Up To 600V

STANDARD FEATURES

- Factory installed phase rotation monitor
- All aluminum NEMA 3R or stainless 4X construction
- Patented tamper-resistant rake system to prevent cable theft and unauthorized disconnection
- Industry standard 16 Series CamLok connections compatible with any rental generator or load bank for facility backup and permanent generator testing



AVAILABLE OPTIONS

- Strip heater & unit thermostat (375 Watt)
- Secondary convenience receptacles for added power options
- Patented solenoid safety interlock door to comply with NEC 702.12C
- Utility indicator lights
- Visit trystar.com for a full list of additional options and features

LISTINGS

- Listed to UL 1008 standards
- UL 50 listed enclosure
- NEC 702.12C compliant with safety interlock door adder



SAMPLE INDUSTRIES

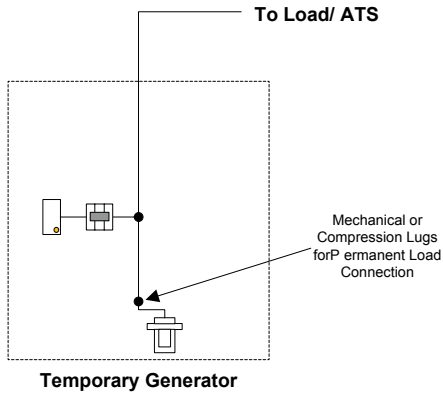


GENERATOR DOCKING STATION

ONE LINES

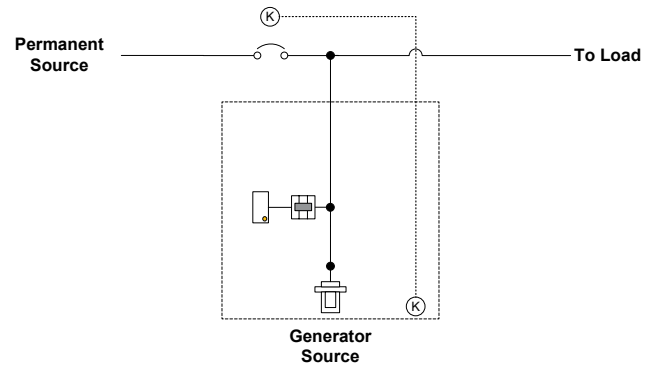


GDS-1



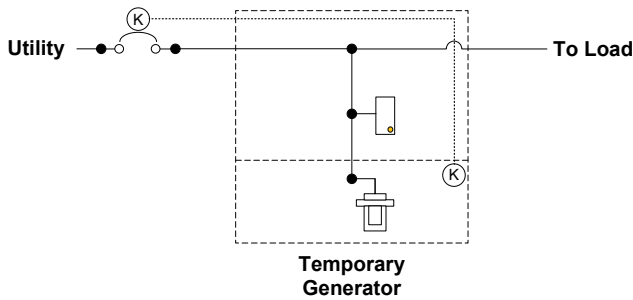
Generator Docking Station with male Camlocks to connect a temporary power source

GDS-2



Generator Docking Station with male Camlocks behind a Kirk Key door interlocked with an existing circuit breaker

GDS-3



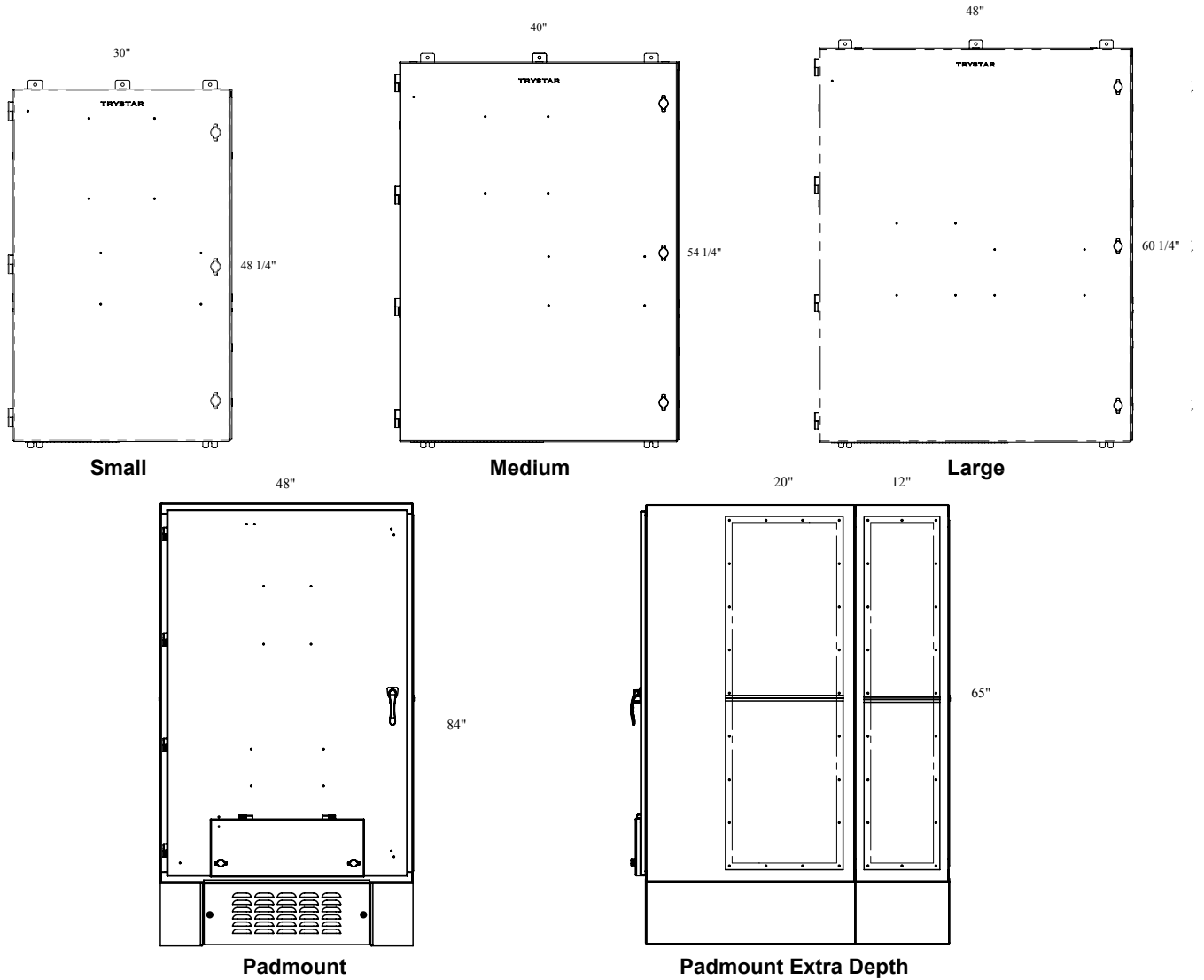
Generator Docking Station with male Camlocks behind a Kirk Key door interlocked with an existing circuit breaker, includes pass thru lugs to land permanent line connections

Key

Hardware Lug	Load Center	Male Cam Lock	Female Cam Lock	Automatic Transfer Switch	Kirk Key Interlock System	Connection Point
Class CC Fuse Holder	Circuit Breaker	Phase Rotation Monitor	Auto Start Terminals	Terminal Block	Strip Heater	Silver Plated Busbar

GENERATOR DOCKING STATION

DIMENSIONS



GDS Line	Small	Medium	Large	Padmount	Padmount Extra Depth
GDS-1	100-600A	601-1200A	1201-2000A	800-4000A	
GDS-2	100-600A	601-1200A	1201-2000A	800-4000A	
GDS-3	100-400A	401-800A	801-1200A	800-2500A	2501-4000A
Dimensions	48" x 30" x 16"	54" x 40" x 16"	60" x 48" x 16"	84" x 48" x 43"	84" x 48" x 43"
Approx. Weight	150lb	250lb	350lb	750lb	750lb