

WINCO[®] GENERATORS



An American Company

We produce our products in our 200,000ft² facility located in Le Center, Minnesota, equipped with modern engineering, fabrication and assembly capabilities.



3.4L Engine

We all know the saying that "there is no replacement for displacement." A lot of engine manufacturers are pushing really small engines into this range for TIER IV final. We think a little more engine is key for long life and quick responses to load changes

Cummins Industrial Genend

With automatic voltage regulation

Fork Pockets

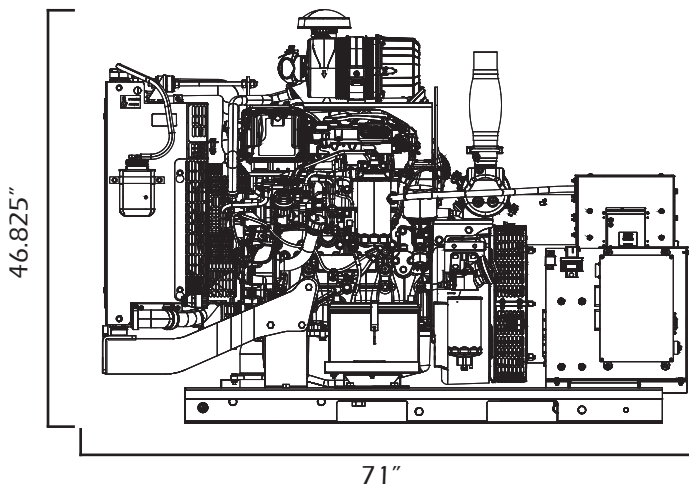
Convenient fork pockets integrated into the unit, giving you the ability to lift from all directions

Battery Charger

Smart trickle battery charger standard

Key Start

The key start assembly can easily be rotated to three sides of the unit. Allowing the unit to be installed in a convenient position according to your specs.

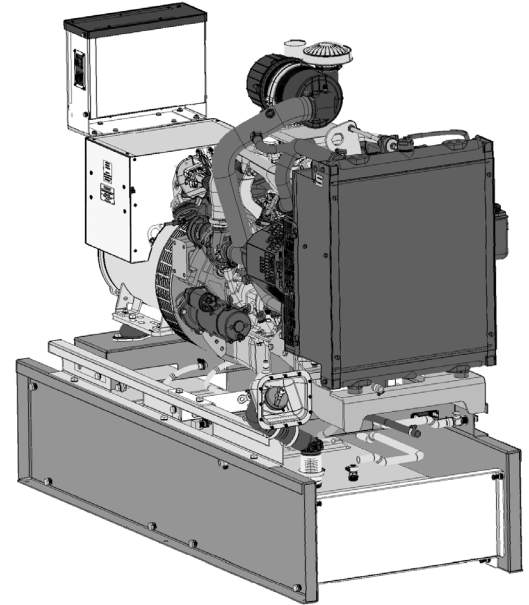


Tank adds 15" to the height

DE30F4

GENERATION 4 30,000 WATTS

Rugged Design

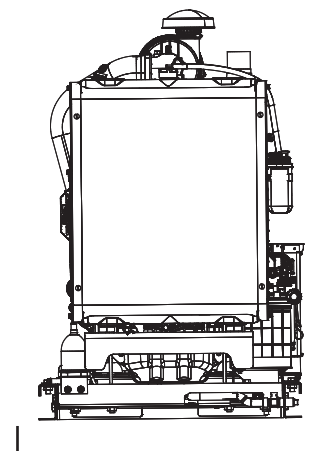


New FPT Tier IV Engine

With DOC-PMCAT

✓ NO Urea

✓ NO Shutdowns for regens



29.9"



SPECIFICATIONS

ELECTRICAL

VOLTS	POWER FACTOR	STANDBY			PRIME			RECOMMENDED CB ⁽²⁾
		WATTS	KVA	AMPS	WATTS	KVA	AMPS	
120/240 1-PH	1.0	30,000	30.0	125	30,000	30.0	125	125 - 150
120/208 3-PH	0.8	30,000	37.5	104	30,000	37.5	104	100 - 130
120/240 3-PH	0.8	30,000	37.5	90	30,000	37.5	90	90 - 110
277/480 3-PH	0.8	30,000	37.5	45	30,000	37.5	45	45 - 60
346/600 3-PH	0.8	30,000	37.5	36	30,000	37.5	36	35 - 45

ENGINE

ENGINE BRAND	FPT
ENGINE MODEL	F5 C
TIER	IV FINAL
ENGINE STARTER	12V ELECTRIC
ENGINE SPEED	1800 RPM
ENGINE CYLINDERS	4
ENGINE HP	50
FREQUENCY	60 HZ
ALTERNATOR	95 AMPS 12V
FLYWHEEL	11 1/2"
ROTATION	CCW
ASPIRATION/COOLING	TURBOCHARGED
COOLANT	5.1 GAL
BORE/STROKE	99 mm x 110 mm
DISPLACEMENT/TYPE	3.4 L
LOW OIL PROTECTION	STANDARD
RECOMMENDED OIL ⁽²⁾	5W-40 SAE
OIL CAPACITY	8.5 QT
INJECTION PUMP	BOSCH CP4.1
GOVERNOR	ELECTRONIC
COMPRESSION RATIO	16.5:1
FAN TYPE	PUSHER
INTAKE AIR CONSUMPTION	0.36 CFM
RADIATOR COOLING AIR	6,865 CFM
EXHAUST FLOW	0.41 CFM
EXHAUST OUTLET SIZE	4"
STARTING AIDES	GLOW PLUGS
STARTING TEMP NATURAL W/ AIDES	5° F
STARTING TEMP W/BLOCK HEATER	-13° F

NOTES: (1) Steady state frequency regulation. (2) The recommended oil is for normal applications. See operator's manual for the recommended oil for your needs. (3) Battery not included.

DE30

MOTOR STARTING (CODE G)	10 HP
DBA @ 7 METERS	--
TOTAL HARMONIC DISTORTION	< 5%
MAIN CIRCUIT BREAKER	OPTIONAL
BONDED NEUTRAL	YES
FORKLIFT POCKETS	STANDARD
ASSEMBLED IN	USA
EPA APPROVED	TIER IV FINAL
CARB APPROVED	TIER IV FINAL
TÜV CSA CERTIFICATION	YES
UNIT WARRANTY ⁽¹⁾	1 YEAR/2,000 HOURS

NOTES: (1) For more generator warranty, see operator's manual.

GENERATOR END

WINDING	12 LEAD
WINDING NUMBER	711
VOLTAGE REGULATION	AVR +/- 1%
AVR TYPE	AS540
TEMPERATURE RISE	125/40°C
TYPE	REVOLVING FIELD
BRUSHLESS	YES
SPEED	1800 RPM
ROTOR	2/3 PITCH
WINDINGS	100% COPPER
STATOR WINDING	DOUBLE LAYER CONCENTRIC
COUPLING	DIRECT/FLEXIBLE DISC
BEARINGS	SINGLE (MAINTENANCE FREE)
EFFICIENCY PEAK	89.3
INSULATION	CLASS H
INGRESS PROTECTION	IP23

SPECIFICATIONS

DERATES

ABOVE SEA LEVEL	
> 3,280 FT	3% EVERY 1,640 FT
> 9,842 FT	6% EVERY 1,640 FT
AMBIENT TEMPERATURE	
>104°F	2% EVERY 9°F

BLOCK HEATER

VOLTS	120
WATTS	1,500
AMPS	12.5 AMPS
THERMOSTAT	
ON	100° F
OFF	120° F

FUEL

TYPE	ASTM D975 NO-2D DIESEL
FUEL TANK	47 GAL 110% CONTAINMENT
FULL LOAD RUN TIME ⁽¹⁾	12 HOURS
FUEL CONSUMPTION	GAL/HR
100%	3.90
75%	2.55
50%	1.54
25%	1.34

NOTES: (1) Run time is estimated.

SHIPPING

SHIPPING DIMENSIONS (L x W x H)	87" x 40" x 68"
SHIP WEIGHT	
WITHOUT TANK	2,020 LBS
WITH TANK	2,230 LBS
FREIGHT CLASS	70

OPTIONAL ACCESSORIES

MIMIC PANEL
REMOTE MONITORING
SOLAR BATTERY CHARGER
MAIN LINE CIRCUIT BREAKER
DSE7310 DIGITAL CONTROLLER

DSE 7310 MKII CONTROLLER (OPTIONAL)

ENGINE DISPLAY/PROTECTION

ENGINE RPM	YES
LOW OIL PRESSURE	YES
HIGH COOLANT TEMP	YES
LOW COOLANT	YES
OVER/UNDER SPEED	YES
OVER CRANK	YES
CAN ECU SHUTDOWN	YES

GENSET DISPLAY/PROTECTION

VOLTAGE (L-N & L-L)	YES
OVER/UNDER VOLTAGE	YES
FREQUENCY	YES
OVER/UNDER FREQUENCY	YES
AMP DISPLAY/SHUTDOWN	YES
PHASE IMBALANCE	DISABLED
KW, KVA, KVARH DISPLAY	YES
KWH, KVAH, KVARH DISPLAY	YES
GENERATOR PHASE SEQUENCE	OPTIONAL

ADDITIONAL DISPLAYS/PROTECTIONS

EXTERNAL E-STOP	YES
BATTERY VOLTAGE	YES
BATTERY OVER/UNDER VOLTAGE	YES

COMMUNICATIONS

USB CONNECTABLE	YES
RS232/RS485	YES
NFPA ANNUNCIATOR	OPTIONAL
REMOTE DISPLAY PANEL	OPTIONAL
ETHERNET/MODEM	OPTIONAL

ADDITIONAL FEATURES

AUDIBLE ALARM	YES
ENGINE EXERCISER	YES
MAINTENANCE INTERVAL TIMER	OPTIONAL
LOAD SHEDDING/DUMMY	OPTIONAL
CONFIGURABLE INPUTS	4 (EXPANDABLE)
CONFIGURABLE OUTPUTS	4 (EXPANDABLE)
EVENT LOG	250

Specifications are subject to change without notice.

