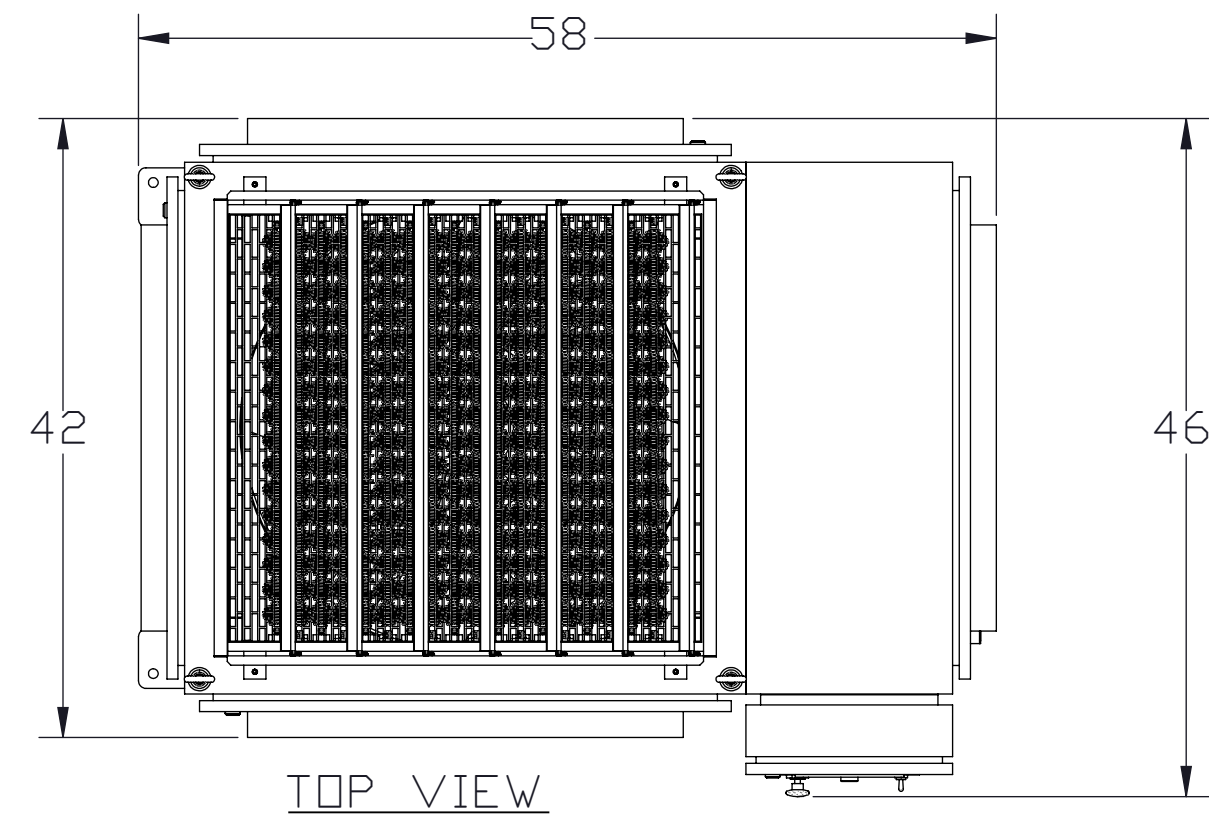


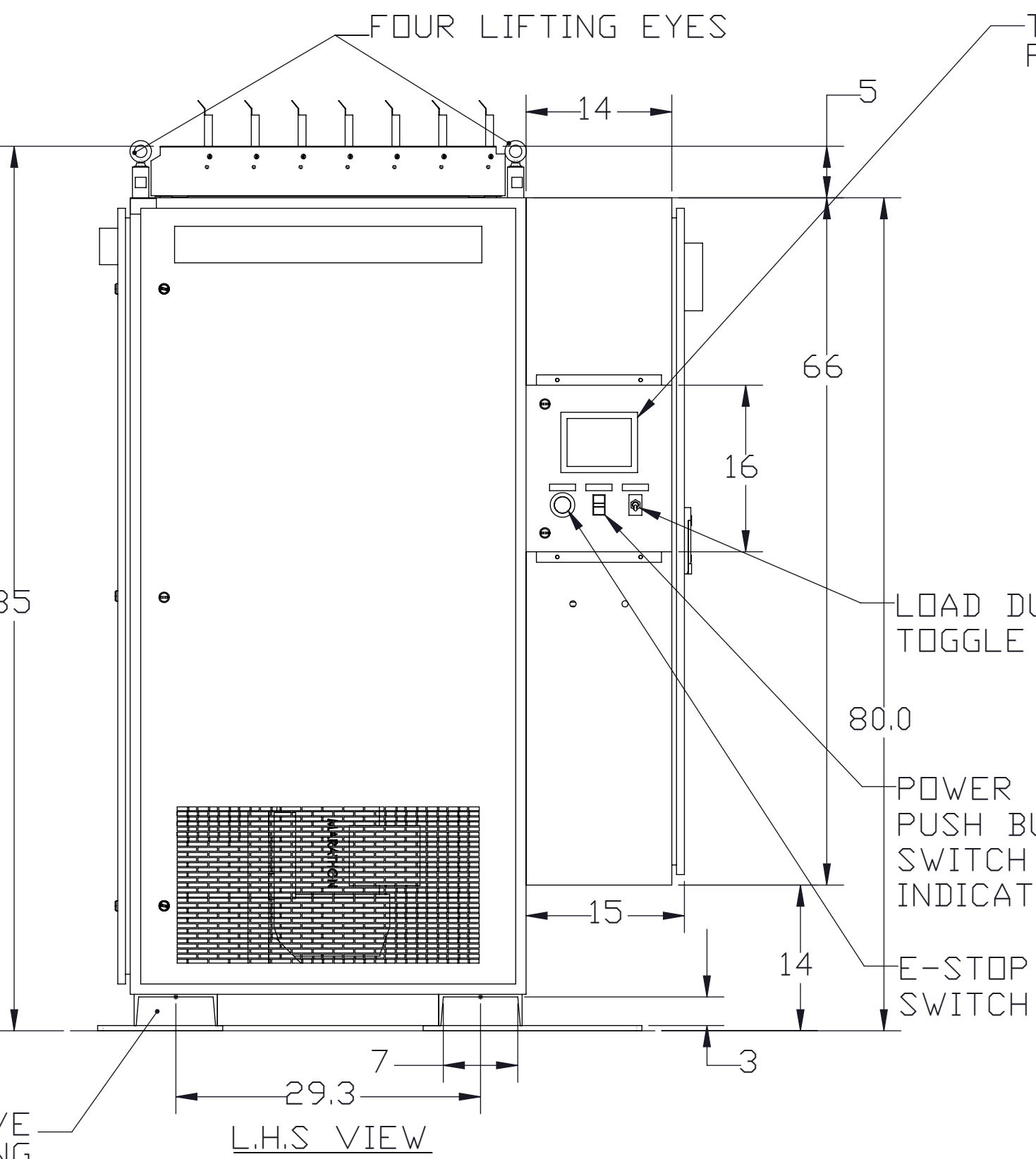
REVISIONS				
ZONE	REV.	DESCRIPTION	DATE	APPROVED
	A-01		08/17/15	VF

SPECIFICATION: MODEL NUMBER TLB-R1000-480-DS SHOWN

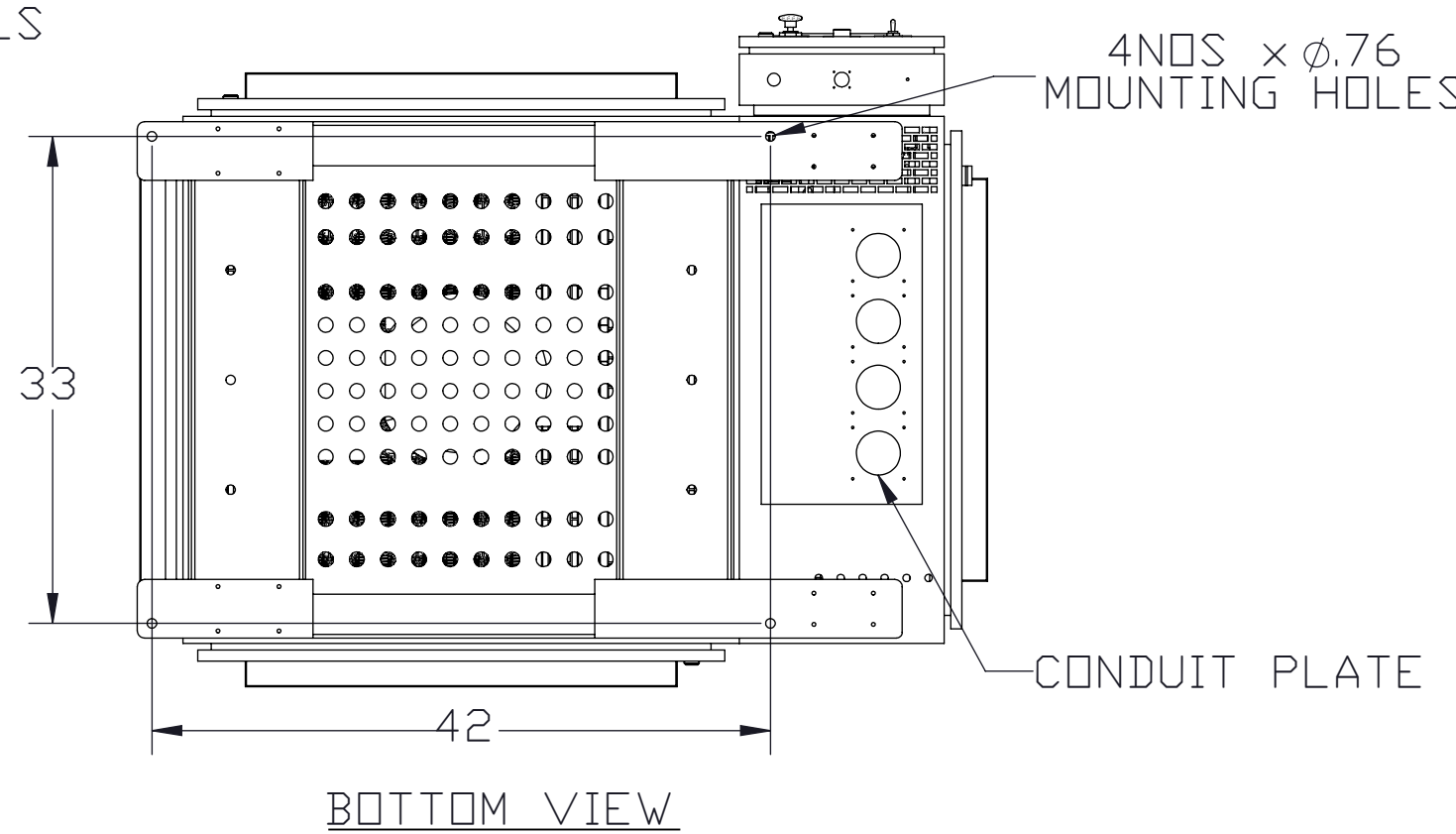
CAPACITY	1000KW, RESISTIVE, 1.0 POWER FACTOR
VOLTAGE	480 VAC
FREQUENCY	60HZ
LOAD STEPS	25KW RESOLUTION STANDARD
DUTY CYCLE	CONTINUOUS
MAX. AMBIENT TEMPERATURE	120 F
MAX EXHAUST TEMP. RIZE	150-200 F, HDT SPOTS 550 F
AIR FLOW	20000CFM, 10HP
FAN/CONTROL VOLTAGE	FAN OPERATES AT 3-PHASE LINE VOLTAGE, LOAD AND MOTOR CONTROL CIRCUITS OPERATE AT 120V VIA INTERNAL TRANSFORMER
APPROX WEIGHT	2160LBS / 980KG



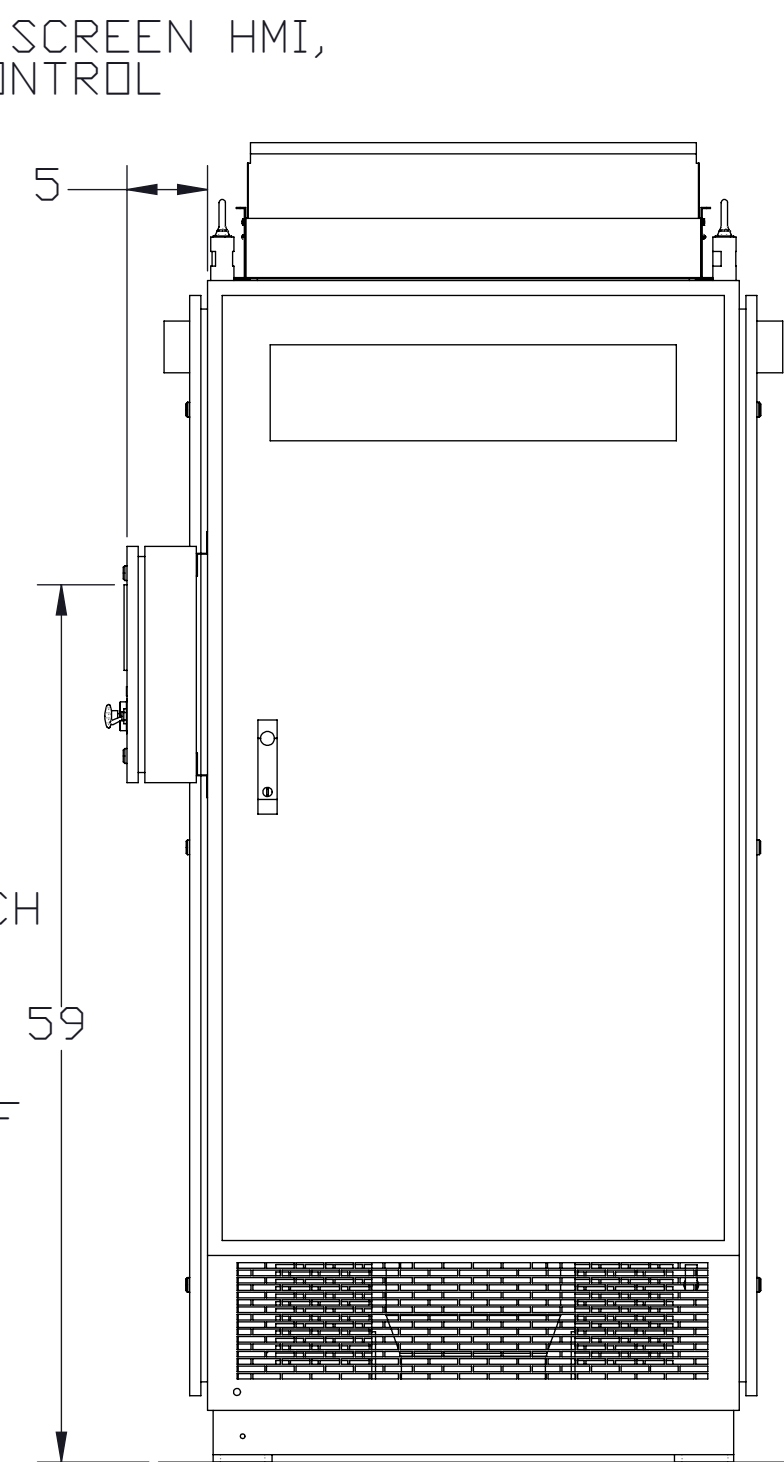
TOP VIEW



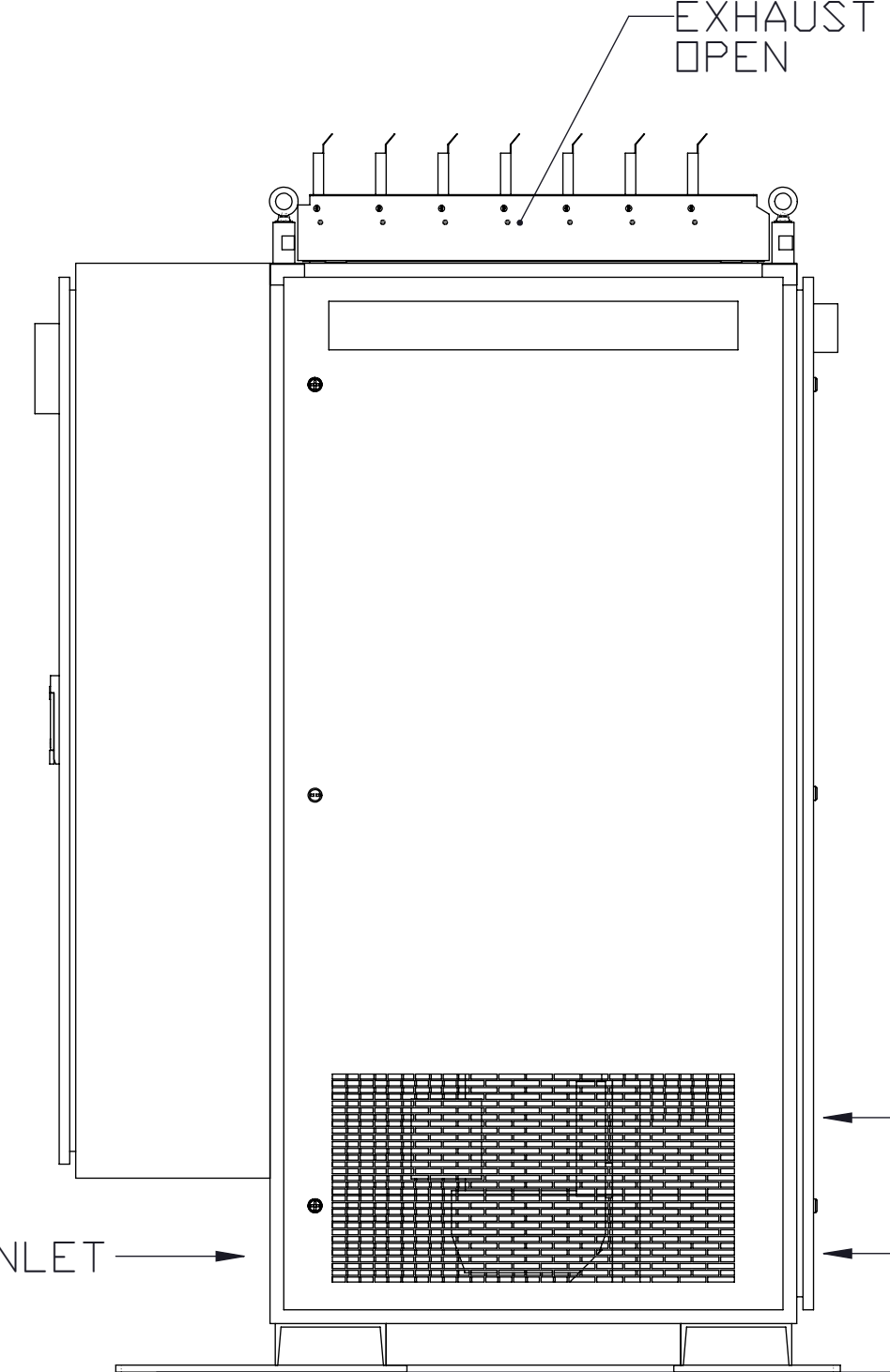
L.H.S VIEW



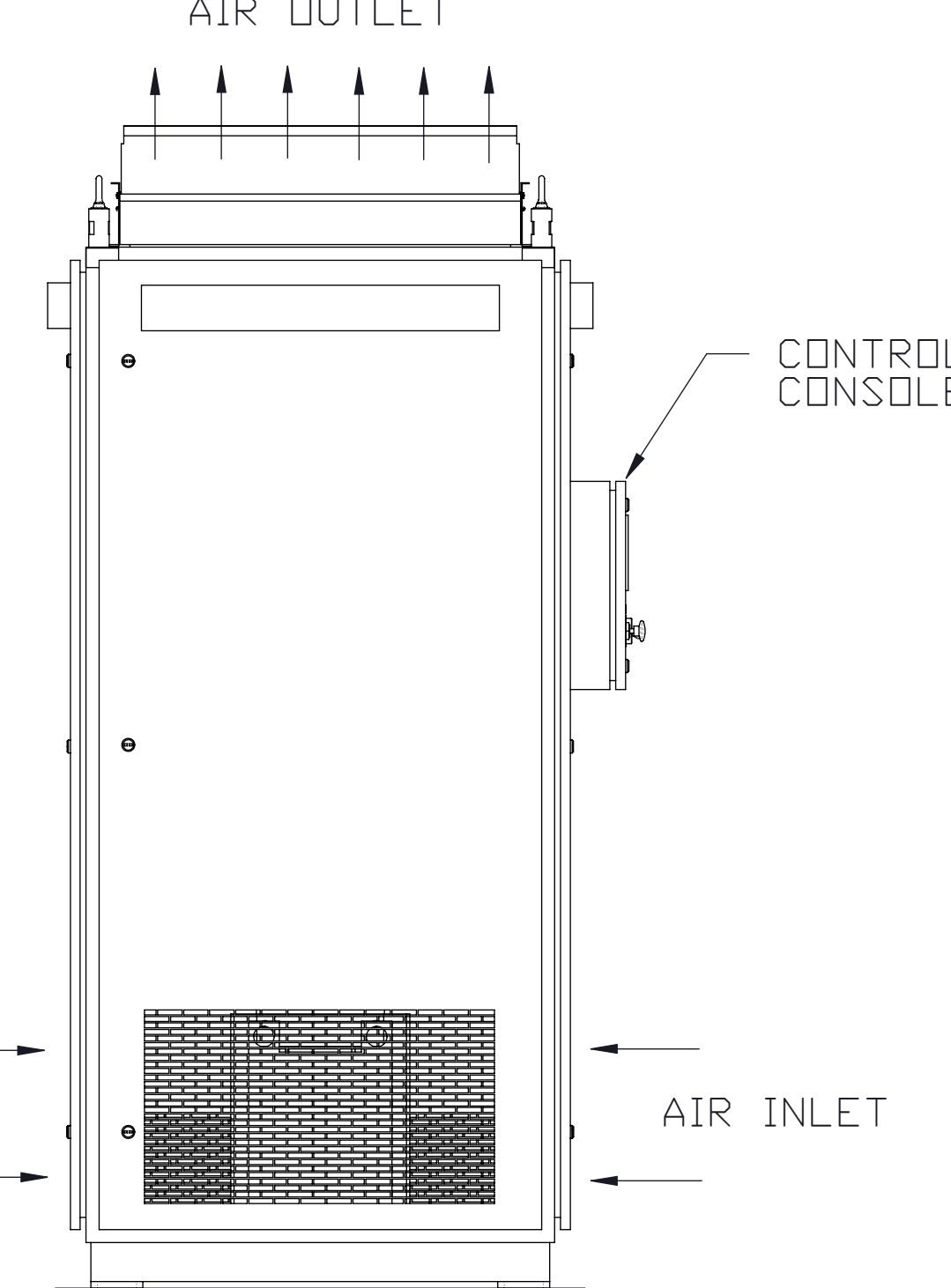
BOTTOM VIEW



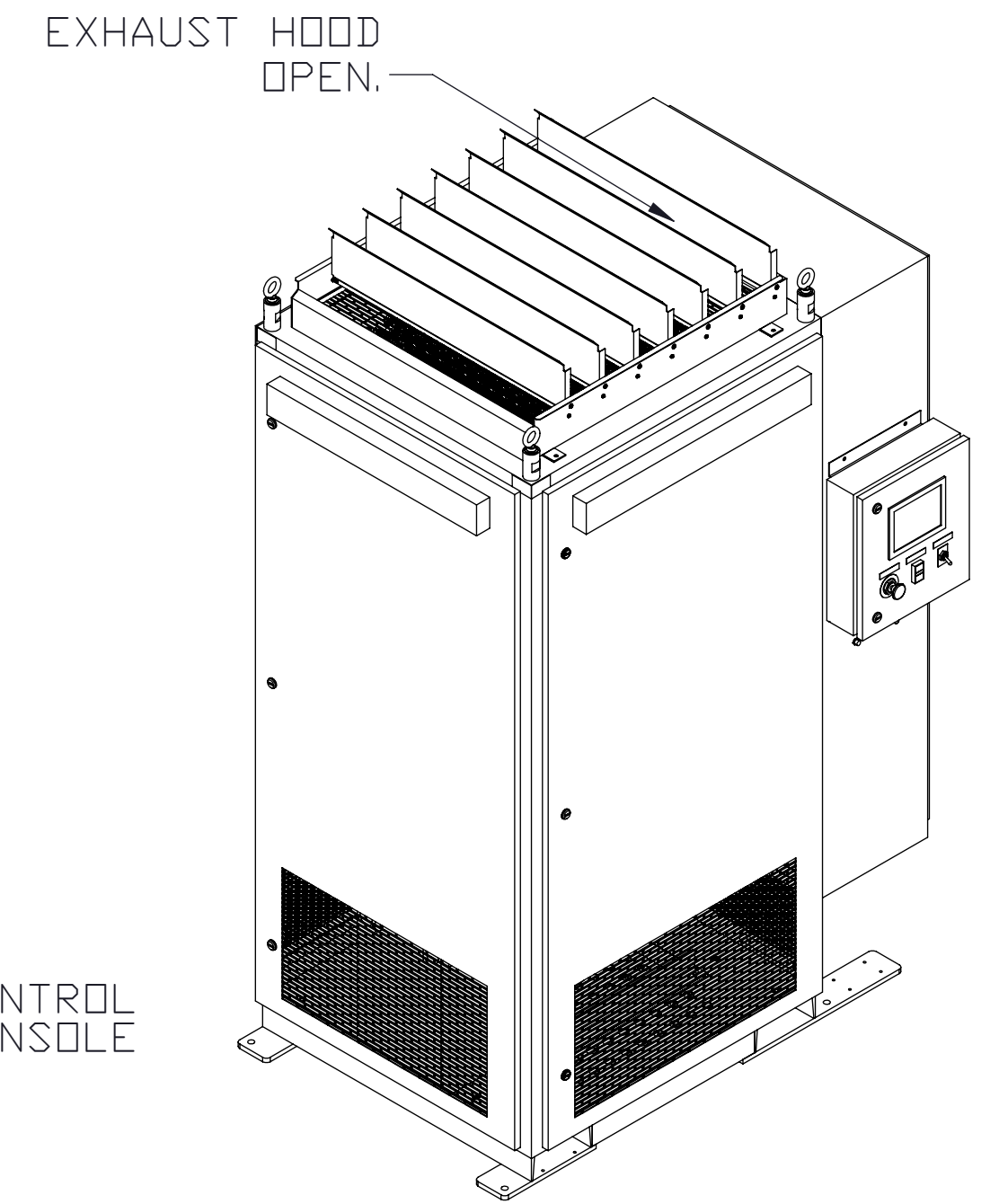
FRONT VIEW



R.H.S VIEW



BACK VIEW



DESCRIPTION:

THIS IS A MODERN LARGE CAPACITY RESISTIVE LOAD BANK SYSTEM INTENDED FOR FIELD USE IN TESTING AND MAINTENANCE EXERCISE OF GENERATORS, UPS AND OTHER AC POWER SOURCES. ULB/TLB SERIES LOAD BANKS ARE DESIGNED FOR OUTDOOR OR INDOOR INSTALLATION AVAILABLE IN 200KW-1000KW SIZES, DIGITALLY CONTROLLED VIA AN ON-BOARD PLC WITH TOUCH SCREEN DISPLAY, CAPABLE OF DATA MONITORING AND DATA ACQUISITION. CONTROL CONSOLE CAN BE MOUNTED ON THE LOAD BANK OR AT REMOTE LOCATION.

NOTE:

1. USE ATLANTIC GASKET AG141B, 1-1/2" WIDE X 3/8" X THICK FOR SEALING ON ALL LARGE DOORS AND 1" WIDE X 3/8" THICK FOR CONTROL ENCLOSURE.
2. POWDER COAT USING AKZONOBEL INTERPON 600 OR TIGER DRYLAC SERIES 39 OR TIGER DRYLAC SEREIS 49 POWDER.

MODEL NUMBER TLB-R1000-480-DS SHOWN

MODEL NUMBER CODE: TLB-RXXXX-VOLTAGE-OPTION

TLB - TEST LOAD BANK
R - RESISTIVE
XXXX - MAX. CAPACITY 1000 KW

VOLTAGE - NOMINAL VOLTAGE

D - OPTION: FOR OUTDOOR USE
I - OPTION: FOR INDOOR USE
S - OPTION: STATIONARY
P - OPTION: PORTABLE ON CASTERS

FINISH	RAL-7042	MATERIAL	ASSEMBLY	UNLESS OTHERWISE SPECIFIED DIMENSIONS ARE IN INCHES TOLERANCES:FRACTIONS ± 1/8 ANGLES ± 0° 30' 2 PLACE DECIMALS ± .03 3 PLACE DECIMALS ± .010	APPROVALS	DATE		
DRAWN	PPM	CHECKED	KP	08/07/15	<p>CONFIDENTIAL/PROPRIETARY</p> <p>THIS DOCUMENT CONTAINS THE CONFIDENTIAL AND PROPRIETARY INFORMATION OF ULB. YOU MAY NOT POSSESS, USE, COPY OR DISCLOSE THIS DOCUMENT OR ANY INFORMATION IN IT FOR ANY PURPOSE WITHOUT EXPRESS WRITTEN PERMISSION. NEITHER RECEIPT, FROM ANY SOURCE, NOR POSSESSION OF THIS DOCUMENT, CONSTITUTES SUCH PERMISSION. POSSESSION, USE, COPYING OR DISCLOSURE BY ANYONE WITHOUT EXPRESS WRITTEN PERMISSION OF ULB IS NOT AUTHORIZED AND MAY RESULT IN CRIMINAL AND/OR CIVIL LIABILITY.</p>			
ENGR.		QUAL.			CONTRACT NUMBER			
REL.					JOB# 1075	SCALE - WEIGHT: - SHEET: 1 of 1		
					1000KW RESISTIVE LOAD BANK, MODEL TLB-R1000-480-DS	SIZE	CAGE CODE	A102583-P0
					DO NOT SCALE DRAWING	D	8LKM0	