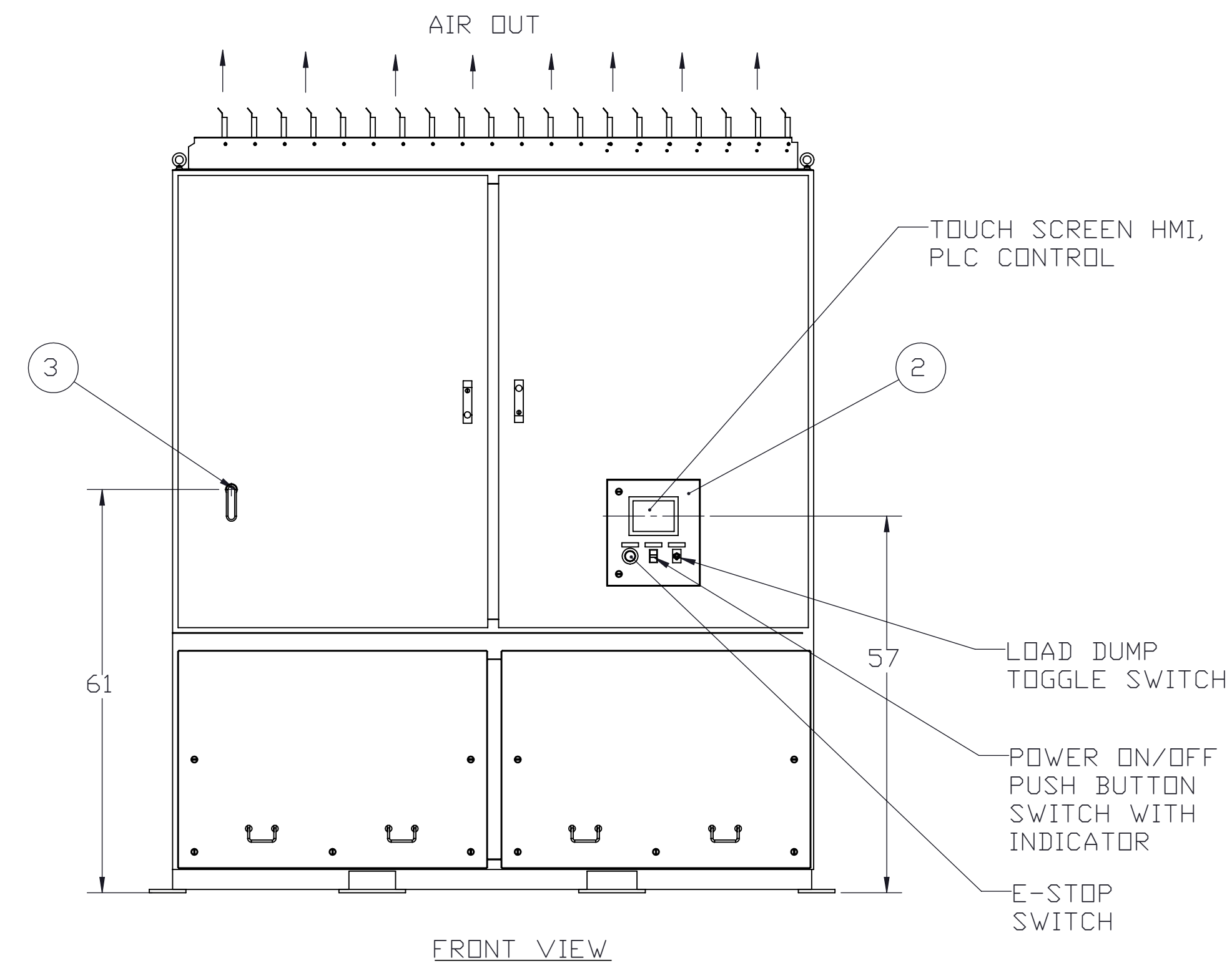
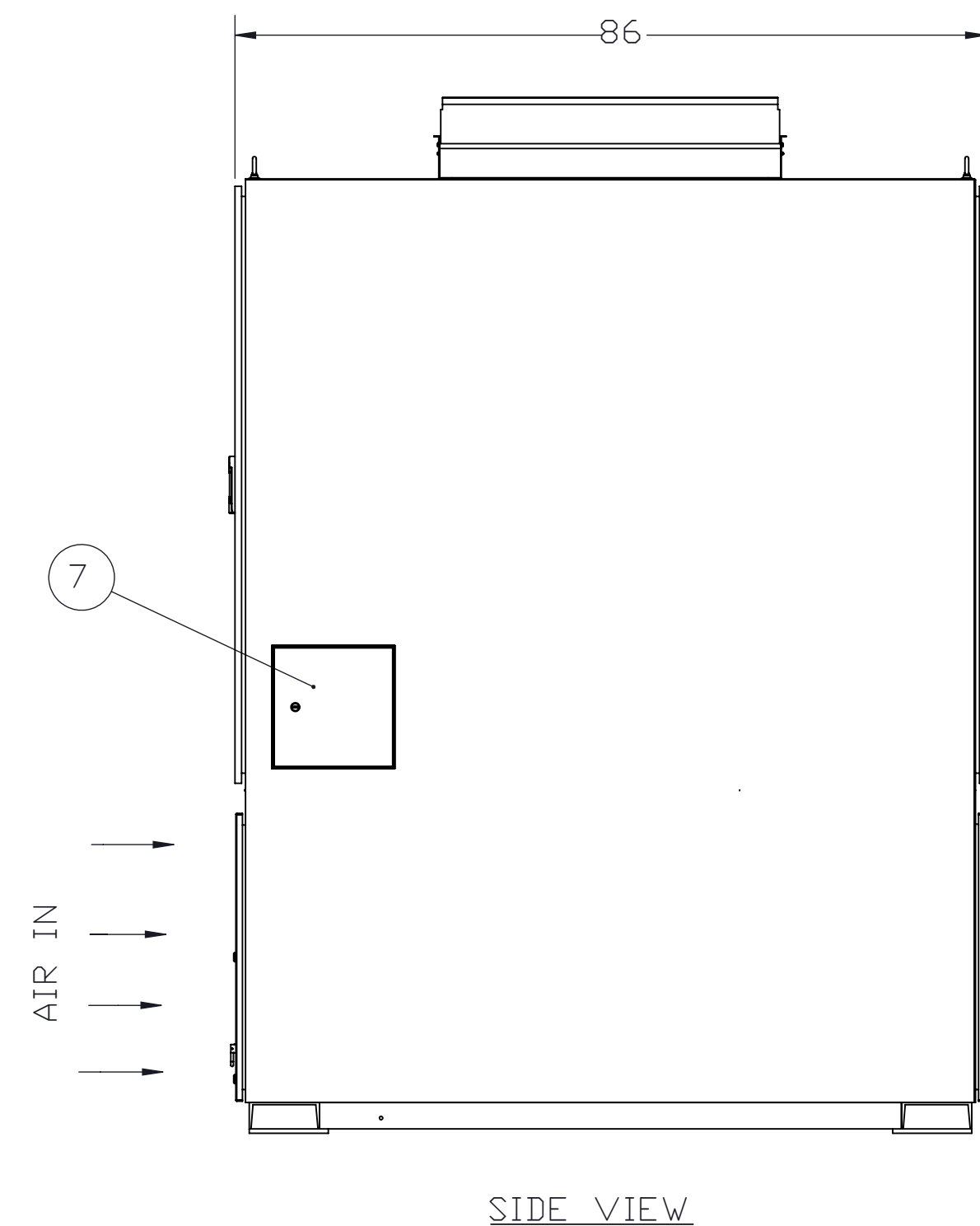
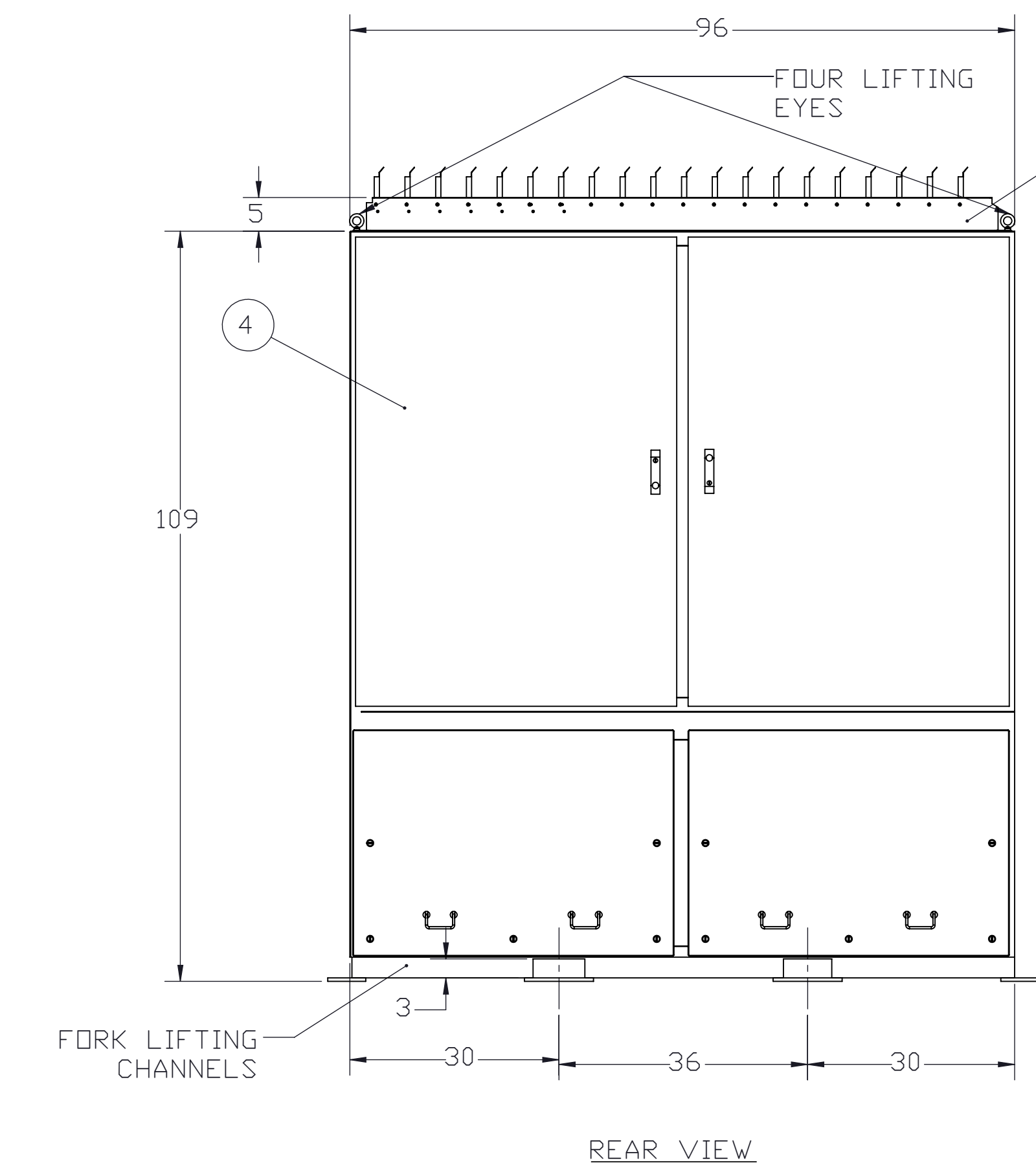
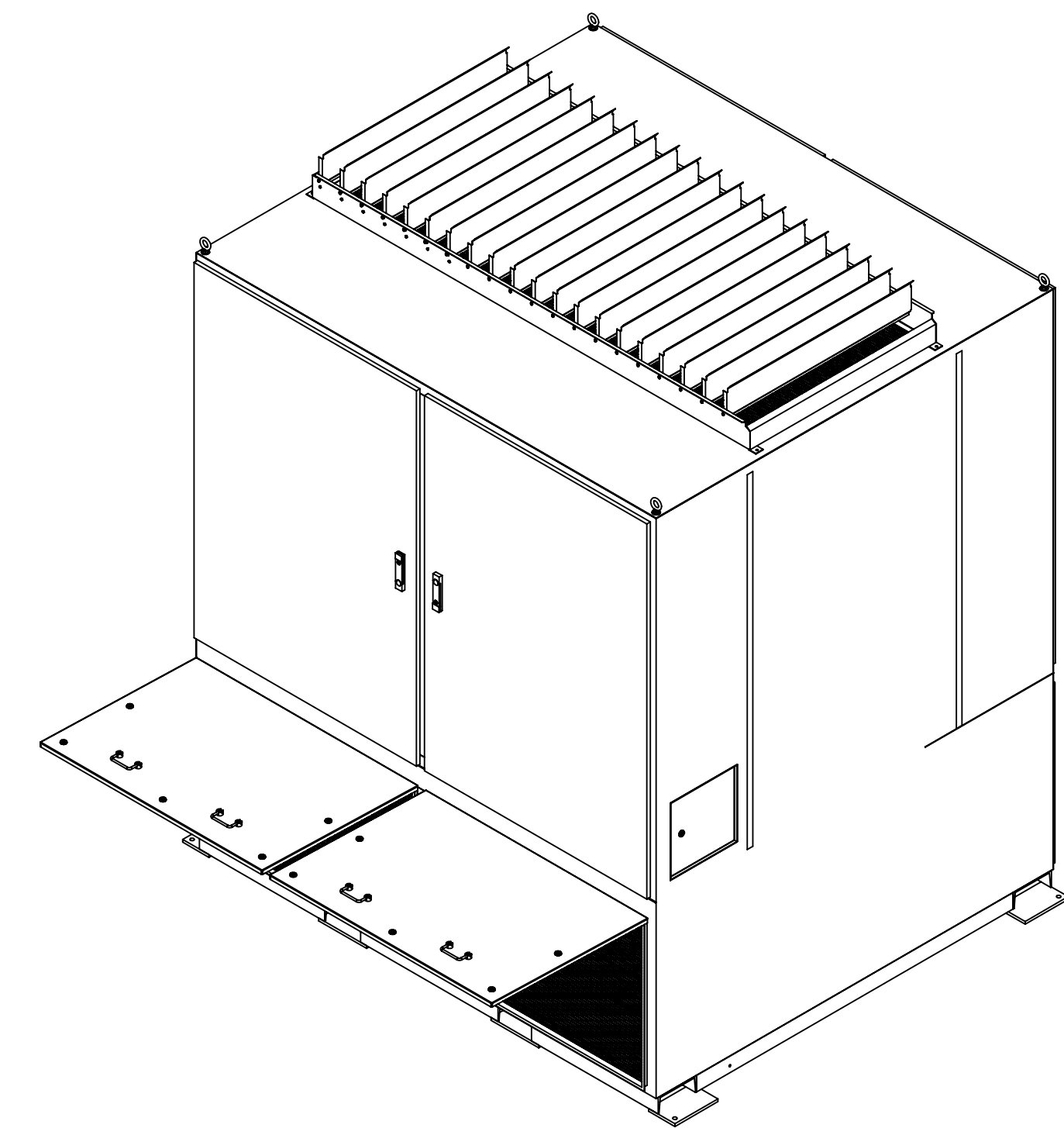


**SPECIFICATION :** MODEL NUMBER ULB-R2500-480-OS SHOWN

CAPACITY	2500KW, RESISTIVE, 1.0 POWER FACTOR (MAX. 3600 KW)
VOLTAGE	480 VAC
FREQUENCY	60HZ
LOAD STEPS	25KW RESOLUTION STANDARD
DUTY CYCLE	CONTINUOUS
MAX. AMBIENT TEMPERATURE	120 F
MAX EXHAUST TEMP. RIZE	150-200 F, HOT SPOTS 550 F
AIR FLOW	60,000 CFM
FAN/CONTROL VOLTAGE	FAN OPERATES AT 3-PHASE LINE VOLTAGE. LOAD AND MOTOR CONTROL CIRCUITS OPERATE AT 120V VIA INTERNAL TRANSFORMER

**NOTE :-**

- 1) GRAVITY STAINLESS STEEL AIR EXHAUST LOUVERS.
- 2) OPERATOR CONTROL, HMI BEHIND DOOR W/ PLEXIGLASS WINDOW.
- 3) 480V, 3 $\phi$ , POWER MAIN DISCONNECT W/ LOCK OUT.
- 4) DOORS (QTY. 4) FOR ELECTRICAL PANEL/CONTROL W/ DOOR LIMIT SWITCHES.
- 5) 480V, POWER/120V CONTROLS/PLC/CONTROL PANEL.
- 6) LOAD SELECT BUS BAR, FUSES CONTACTORS PANEL.
- 7) 480V, AC LOAD POWER CABLES, 400A EACH QTY. 24 (8 PER PHASE) & GROUND ACCESS DOOR TO BUSBAR CONNECTIONS 8 PER PHASE W/ RUBBER OR CANVAS FLAPS.
- 8) CAN BE SHIPPED IN A STANDARD 40FT. HIGH CUBE OPEN CONTAINER.



**DESCRIPTION:**

ULB IS A MODERN LARGE CAPACITY RESISTIVE LOAD BANK SYSTEM INTENDED FOR FIELD USE IN TESTING AND MAINTENANCE EXERCISE OF GENERATORS, UPS AND OTHER AC POWER SOURCES. ULB SERIES LOAD BANKS ARE DESIGNED FOR OUTDOOR OR INDOOR INSTALLATION AVAILABLE IN 2000KW-3600KW SIZES, DIGITALLY CONTROLLED VIA AN ON-BOARD PLC WITH TOUCH SCREEN DISPLAY, CAPABLE OF DATA MONITORING AND DATA ACQUISITION. CONTROL CONSOLE CAN BE MOUNTED ON THE LOAD BANK OR AT REMOTE LOCATION.

FINISH	MATERIAL ASSEMBLY	UNLESS OTHERWISE SPECIFIED DIMENSIONS ARE IN INCHES TOLERANCES:FRACTIONS ± 1/8 ANGLES ± 0° 30' 2 PLACE DECIMALS ± .03 3 PLACE DECIMALS ± .010	APPROVALS		DATE				
			DRAWN	JP	07-08-2021				
<p align="center"><b>CONFIDENTIAL/PROPRIETARY</b></p> <p>THIS DOCUMENT CONTAINS THE CONFIDENTIAL AND PROPRIETARY INFORMATION OF ULB. YOU MAY NOT POSSESS, USE, COPY OR DISCLOSE THIS DOCUMENT OR ANY INFORMATION IN IT FOR ANY PURPOSE WITHOUT EXPRESS WRITTEN PERMISSION. NEITHER RECEIPT, FROM ANY SOURCE, NOR POSSESSION OF THIS DOCUMENT, CONSTITUTES SUCH PERMISSION. POSSESSION, USE, COPYING OR DISCLOSURE BY ANYONE WITHOUT EXPRESS WRITTEN PERMISSION OF ULB IS NOT AUTHORIZED AND MAY RESULT IN CRIMINAL AND/OR CIVIL LIABILITY.</p>			CHECKED	KP	07-08-2021	<p align="center"><b>R2500 LOAD BANK</b> MODEL : ULB-R2500-480-OS</p>			
			ENGR.	KP	07-08-2021				
			<p align="center"><b>DO NOT SCALE DRAWING</b></p>			<p align="center">CONTRACT NUMBER</p> <p align="center">-</p>		<p>SIZE</p> <p><b>D</b></p>	<p>CAGE CODE</p> <p>-</p>
			<p align="center">S.O. XXXX</p>		<p align="center">SCALE</p> <p align="center">-</p>		<p align="center">WEIGHT:</p> <p align="center">1</p>		
						<p align="center">A403001-P0</p>			
						<p align="center">SHEET: 1 of 2</p>			