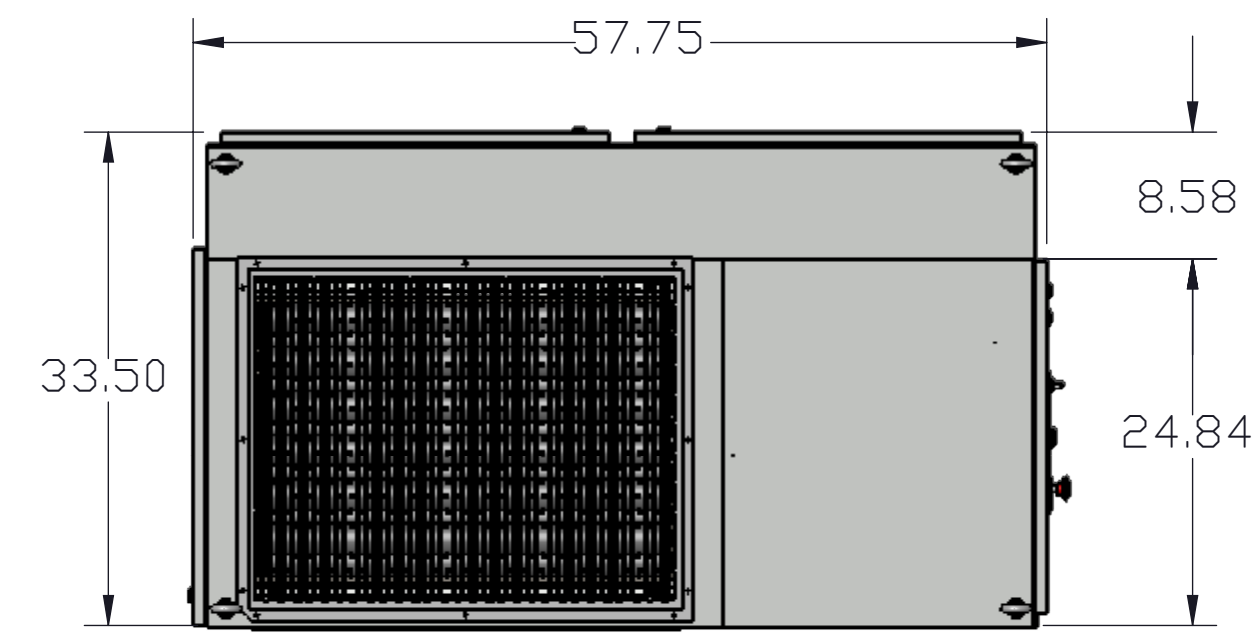
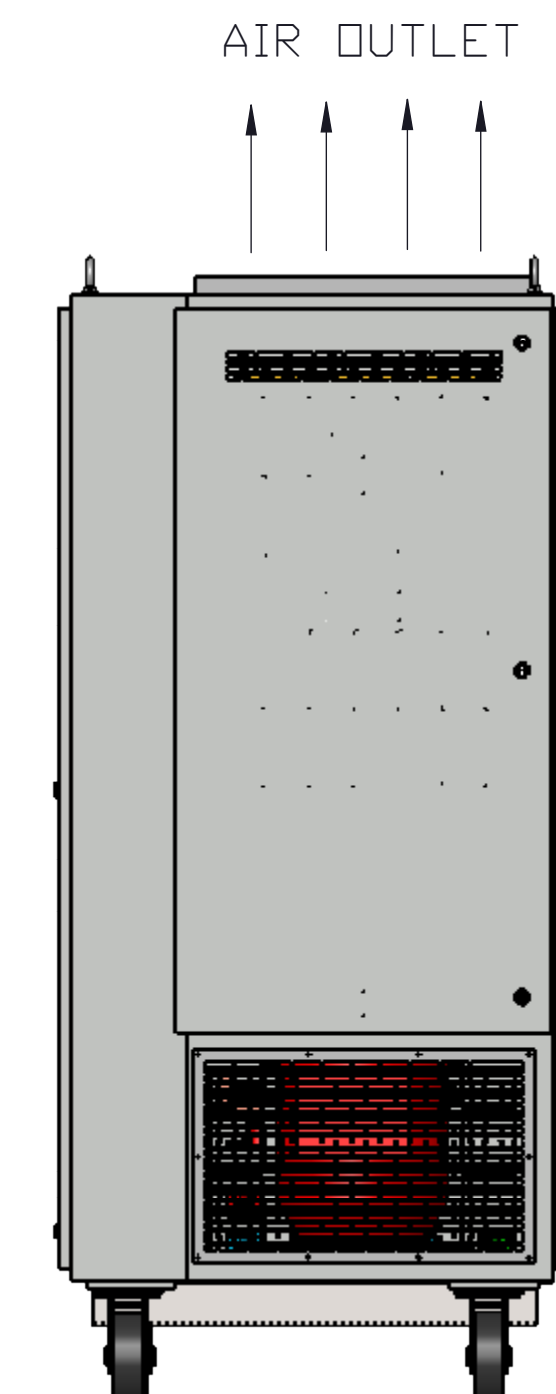
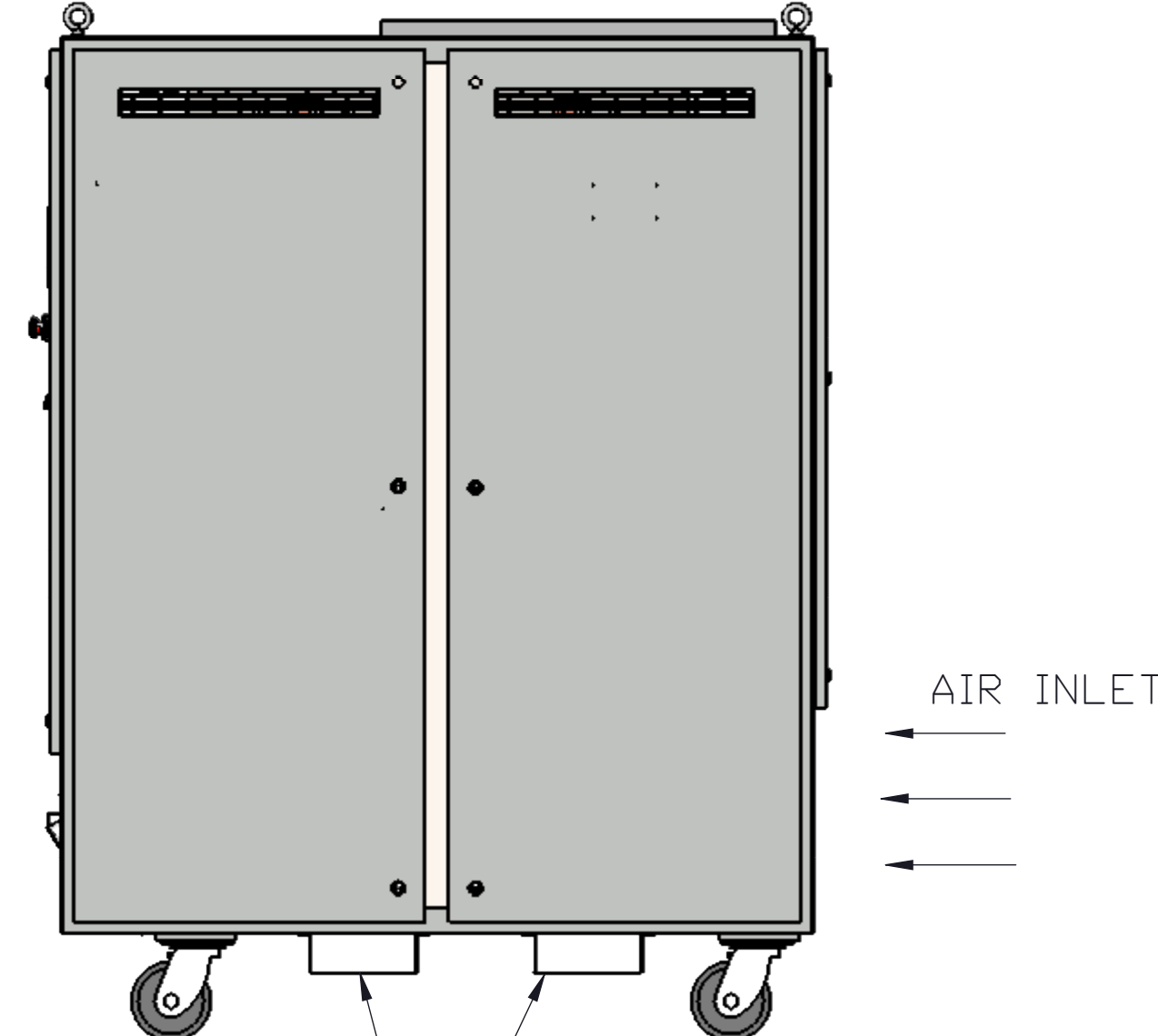
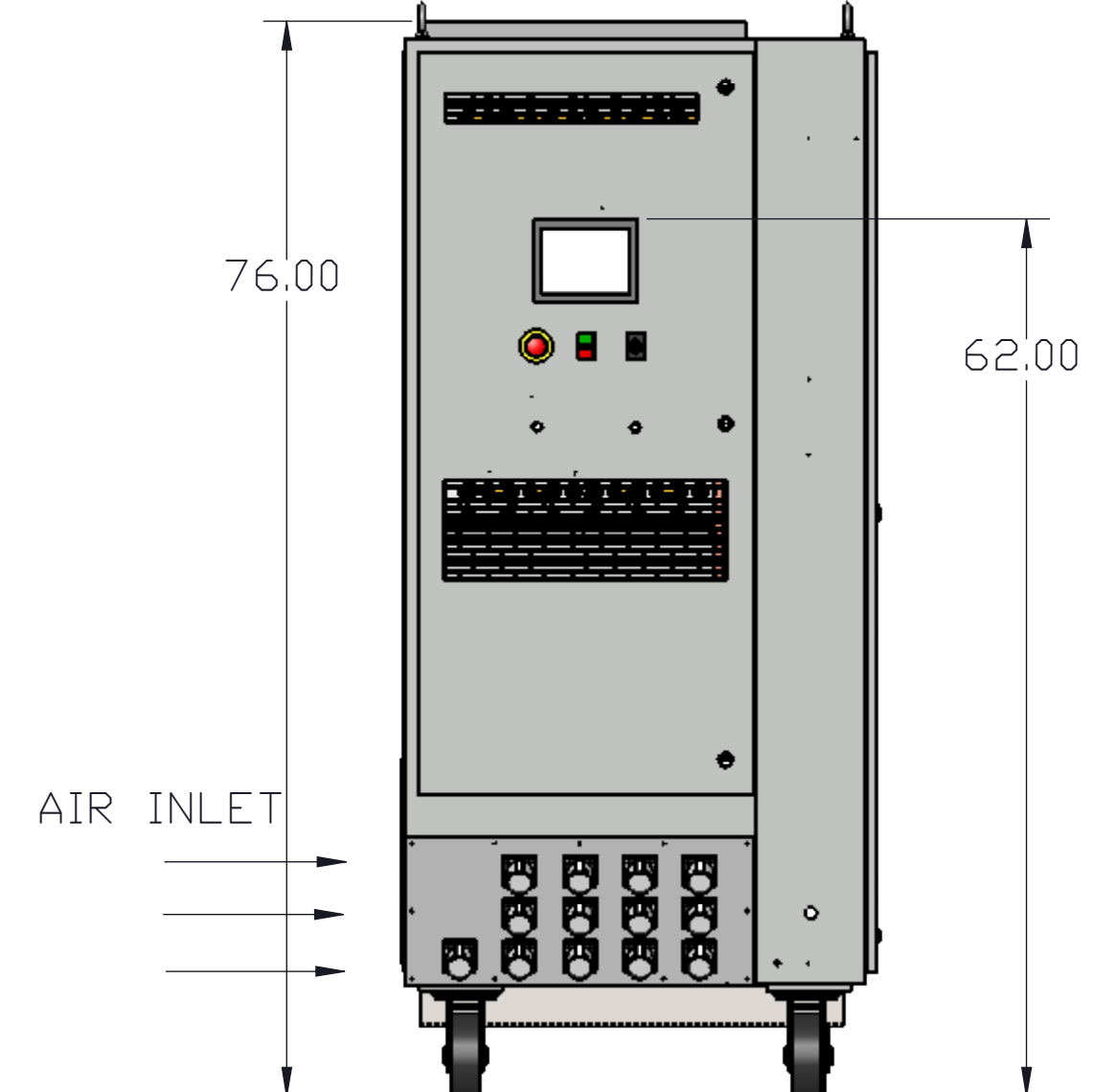
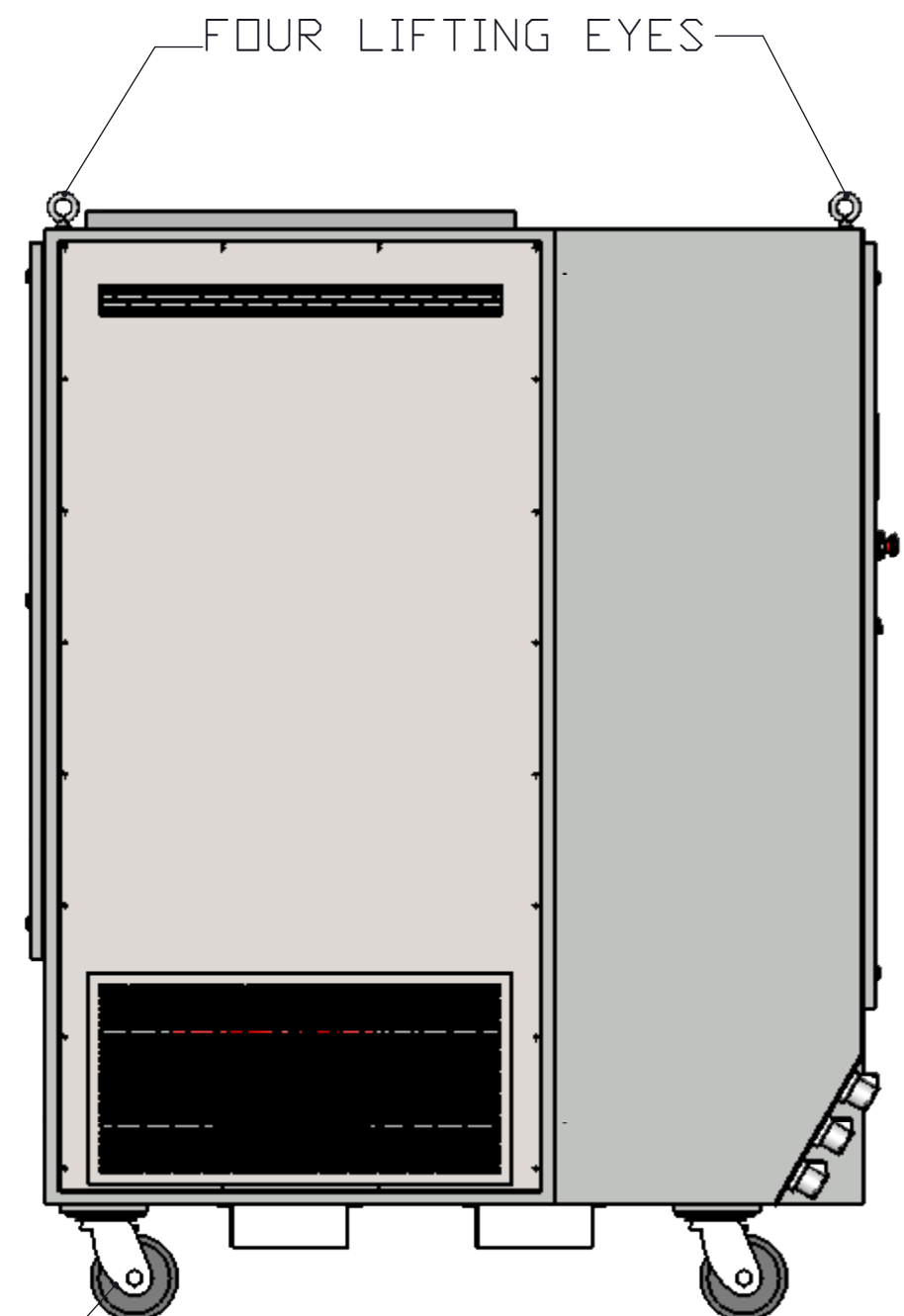
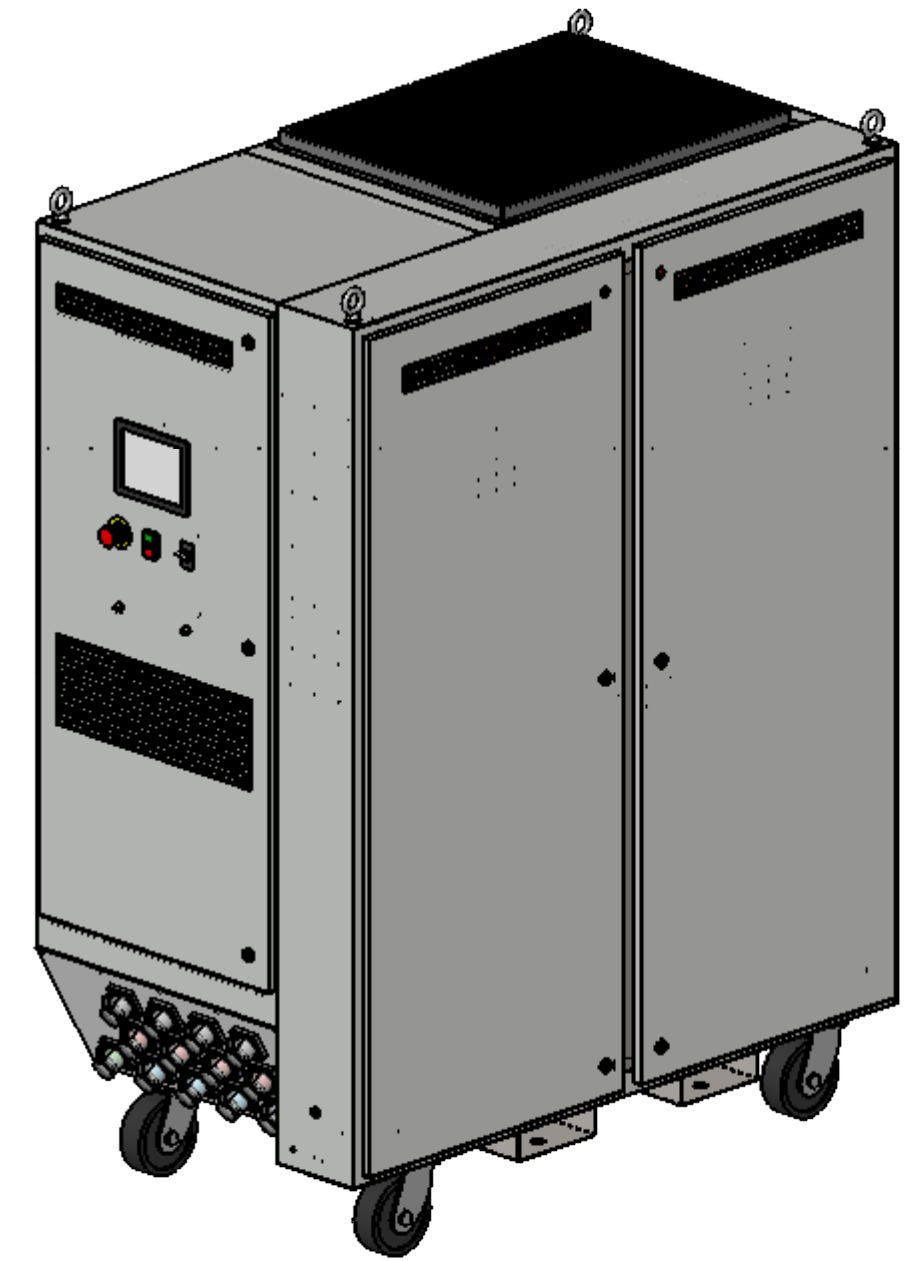


| REVISIONS | | | | |
|-----------|------|-------------|----------|----------|
| ZONE | REV. | DESCRIPTION | DATE | APPROVED |
| | A-01 | | 08/17/15 | VF |

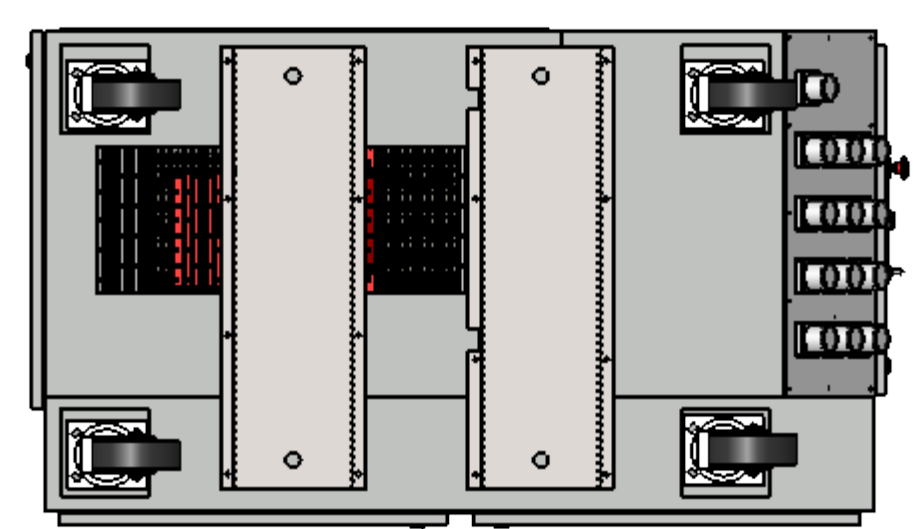


SPECIFICATION: MODEL NUMBER TLB-R650-480-240-IP

| | |
|--------------------------|--|
| CAPACITY | 650KW, RESISTIVE, 1.0 POWER FACTOR |
| VOLTAGE | 480 VAC / 240 VAC |
| FREQUENCY | 60HZ |
| LOAD STEPS | 5KW RESOLUTION STANDARD |
| DUTY CYCLE | CONTINUOUS |
| MAX. AMBIENT TEMPERATURE | 120 F |
| MAX EXHAUST TEMP. RIZE | 150-200 F, HOT SPOTS 550 F |
| AIR FLOW | 17000 CFM |
| FAN/CONTROL VOLTAGE | FAN OPERATES AT 3-PHASE LINE VOLTAGE. LOAD AND MOTOR CONTROL CIRCUITS OPERATE AT 120V VIA INTERNAL TRANSFORMER |
| APPROX WEIGHT | 1852LBS/840KG |



4" SWIVEL
CASTER WITH
BRAKE
QTY: 4 NOS



DESCRIPTION:

THIS IS A MODERN LARGE CAPACITY RESISTIVE LOAD BANK SYSTEM INTENDED FOR FIELD USE IN TESTING AND MAINTENANCE EXERCISE OF GENERATORS, UPS AND OTHER AC POWER SOURCES. ULB/TLB SERIES LOAD BANKS ARE DESIGNED FOR OUTDOOR OR INDOOR INSTALLATION AVAILABLE IN 200KW-1000KW SIZES, DIGITALLY CONTROLLED VIA AN ON-BOARD PLC WITH TOUCH SCREEN DISPLAY, CAPABLE OF DATA MONITORING AND DATA ACQUISITION. CONTROL CONSOLE CAN BE MOUNTED ON THE LOAD BANK OR AT REMOTE LOCATION.

NOTE:

1. USE NITRILE GASKET 1" WIDE X 0.125" THICK FOR SEALING ON ALL THE DOORS.
2. POWDER COAT USING AKZONOBEL INTERPON 600 OR TIGER DRYLAC SERIES 39 & TIGER DRYLAC SERIES 49 POWDER.

MODEL NUMBER TLB-R650-480-240-IP SHOWN
MODEL NUMBER CODE: TLB-RXXXX-VOLTAGE-OPTION

- TLB - TEST LOAD BANK
- R - RESISTIVE
- XXXX - MAX. CAPACITY 1000 KW
- EXAMPLE:
- 1000 - MAX. CAPACITY 1000KW
- 750 - MAX. CAPACITY 750KW
- 500 - MAX. CAPACITY 500KW
- VOLTAGE - NOMINAL VOLTAGE

- O - OPTION: FOR OUTDOOR USE
- I - OPTION: FOR INDOOR USE
- S - OPTION: STATIONARY
- P - OPTION: PORTABLE ON CASTERS

| | | | | | | | |
|---|----------|---|----------------------|----------|---|-----------------|--------|
| FINISH | MATERIAL | UNLESS OTHERWISE SPECIFIED DIMENSIONS ARE IN INCHES TOLERANCES: FRACTIONS: ± 1/8 ANGLES: ± 0° 30' 2 PLACE DECIMALS: ± .03 3 PLACE DECIMALS: ± .010 | APPROVALS | DATE | | | |
| RAL 7042 | ASSEMBLY | | DRAWN PPM | 06/12/21 | | | |
| <p style="text-align: center;">CONFIDENTIAL/PROPRIETARY</p> <p>THIS DOCUMENT CONTAINS THE CONFIDENTIAL AND PROPRIETARY INFORMATION OF ULB. YOU MAY NOT POSSESS, USE, COPY OR DISCLOSE THIS DOCUMENT OR ANY INFORMATION IN IT FOR ANY PURPOSE WITHOUT EXPRESS WRITTEN PERMISSION. NEITHER RECEIPT, FROM ANY SOURCE, NOR POSSESSION OF THIS DOCUMENT, CONSTITUTES SUCH PERMISSION. POSSESSION, USE, COPYING OR DISCLOSURE BY ANYONE WITHOUT EXPRESS WRITTEN PERMISSION OF ULB IS NOT AUTHORIZED AND MAY RESULT IN CRIMINAL AND/OR CIVIL LIABILITY.</p> | | | CHECKED KP | 06/12/21 | <p>650KW RESISTIVE LOAD BANK, MODEL TLB-R650-480-240-IP</p> | | |
| | | | ENGR. | | | | |
| | | | QUAL. | | | CONTRACT NUMBER | |
| | | | REL. | | | JOB# 11184 | SIZE D |
| | | | DO NOT SCALE DRAWING | SCALE - | WEIGHT: | SHEET: 1 of 1 | |