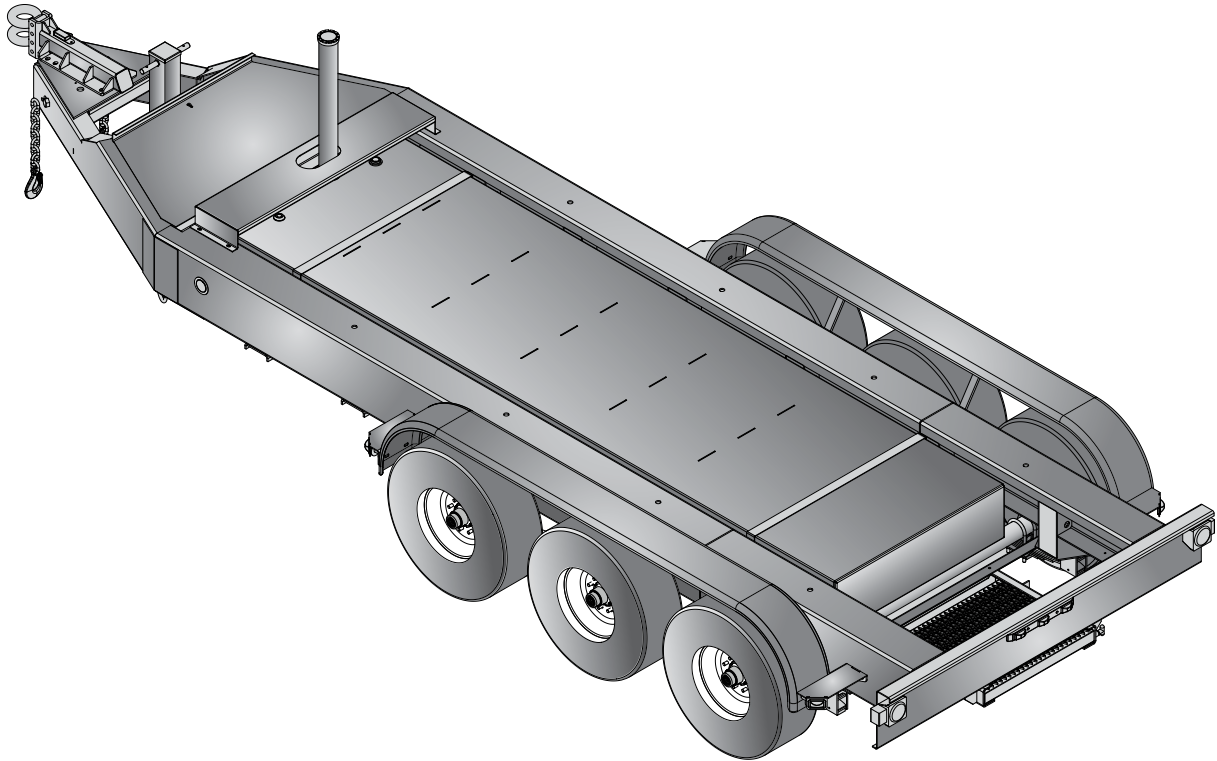




# TRLR400XF3DAE

## Triple Axle Trailer



### TRLR400XF3DAE Technical Data

|  |   |
|--|---|
| Gross Vehicle Weight Rating (GVWR) — 21,000 lbs (9,525 kg)   | Tire Size — ST235/80R16 LR-E                |
| Gross Axle Weight Rating (GAWR) — 7,000 lbs (3,175 kg) (ea.) | Wheel Bolt Pattern — 8 x 6.5                |
| Coupler Rating — See coupler options on back page            | Tire Load Rating — 3,500 lbs (1,588 kg) ea. |
|  | Dimensions (LxWxH) - See back page          |

### STANDARD TRAILER EQUIPMENT

- Fits MQ Power Generator Models DCA400SSI4F, DCA400SSI4F3, DCA400SSI4F3PD, and DCA400SSI4F3PB.
- Triple Drop-Axle Design with Slipper Spring Suspension
- Heavy-Duty Welded Steel Frame Construction
- Formed Channel for Generator Mounting and Support
- Integral Diesel Fuel Cell; Single-wall Steel Design, 350-gallon/1,325-liter Capacity; UN31A Certified
- 4-hole Channel Allows 3-position, Adjustable Coupler Height; 4-inches O/A
- Bolt-on Electric Brake Coupler Plate with Electric-actuated Drum Brakes (All axles - self-adjusting brake actuators)
- Heavy-duty Tongue Mounted, Drop-leg Jack (rated 10,000 lbs. lift capacity)
- Replaceable Bolt-on Steel Fenders
- Rugged Textured Black Enamel Coated Frame, Channel, Actuator and Fenders
- D.O.T. Approved Tail Lamps, Stop Lamps, Turn Signal Lamps, Side Marker Lamps
- Weatherproof, Rubber Armored, 2-piece Trailer Light Wiring Harness

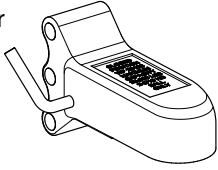
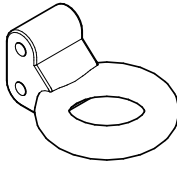


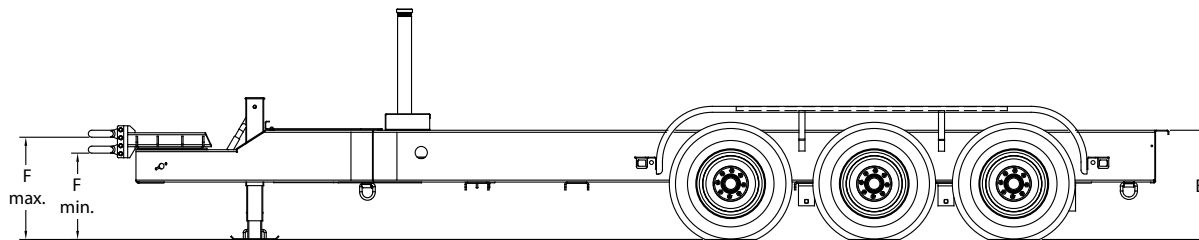
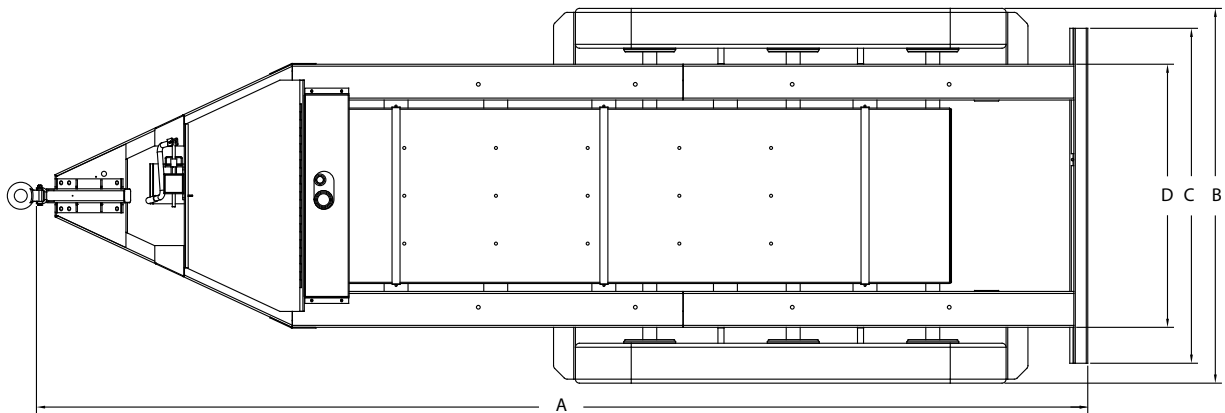
# TRLR400XF3DAE

## Triple Axle Trailer

### OPTIONAL TRAILER EQUIPMENT

- Anti-Theft Wheel Lock
- Front and Rear Stabilizer Stands
- Spare Tire with Locking Mount

| Coupler Options                                 |   |
|---|---|
| 2-5/16" Ball Coupler<br>25,000 lbs.<br>#EE62300 |  |
| 3" Pintle Eye<br>25,000 lbs.<br>#EE36264        |  |



| Trailer Dimensions |        |        |        |          |           |           |
|--------------------|--------|--------|--------|----------|-----------|-----------|
| A                  | B      | C      | D      | E        | F         |           |
|                    |        |        |        |          | Min       | Max       |
| 263.69 in.         | 94 in. | 84 in. | 66 in. | 27.4 in. | 21.66 in. | 25.66 in. |

| Trailer Weight         |                        |
|------------------------|------------------------|
| Without Fuel           | With Fuel              |
| 3,978 lbs. (1,804 kg)* | 6,467 lbs (2, 933 kg)* |

\*Weight is approximate

