

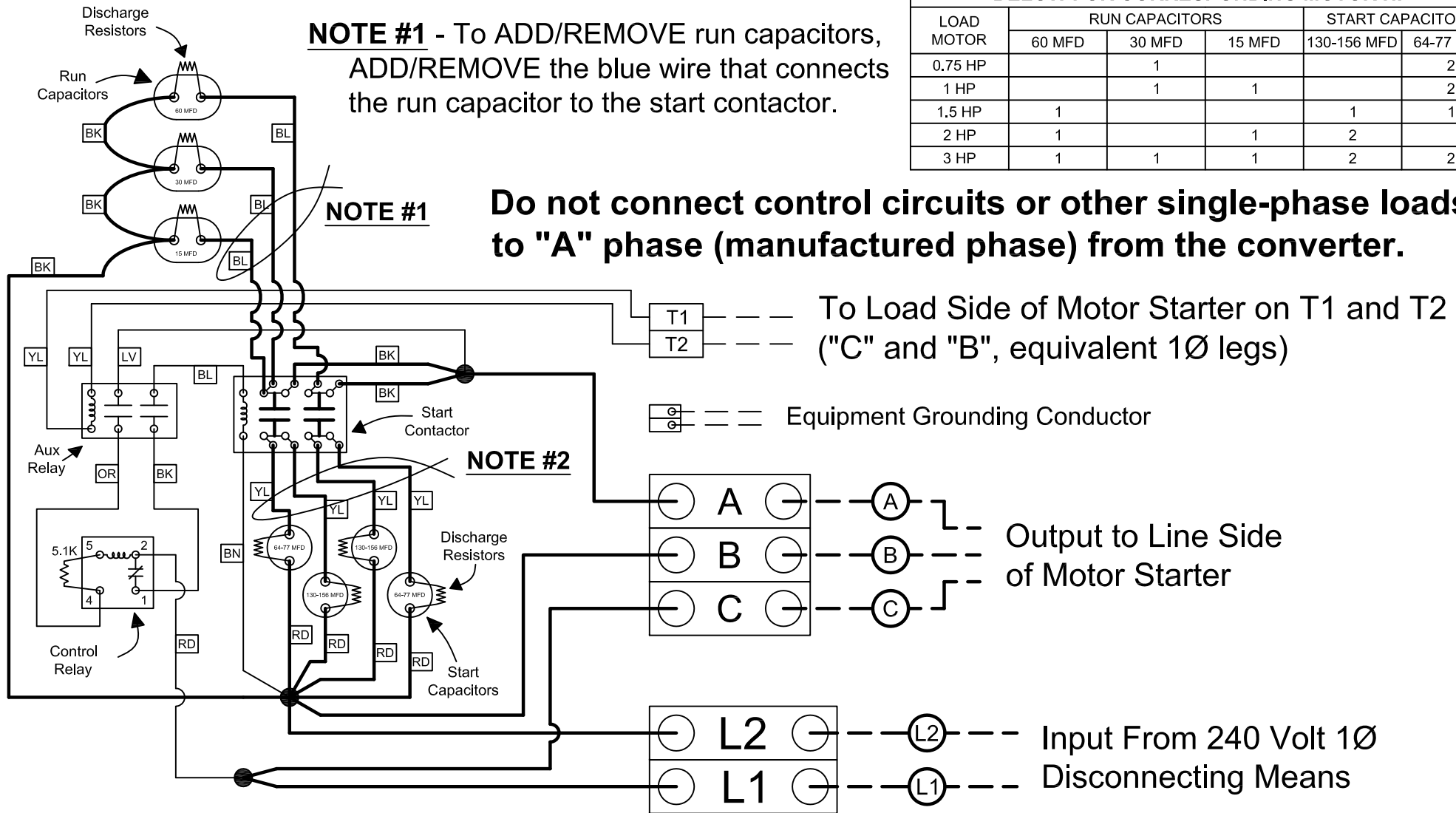
ADJUST CONNECTED CAPACITORS TO VALUES SHOWN BELOW FOR CORRESPONDING MOTOR HP.

LOAD MOTOR	RUN CAPACITORS			START CAPACITORS	
	60 MFD	30 MFD	15 MFD	130-156 MFD	64-77 MFD
0.75 HP		1			2
1 HP		1	1		2
1.5 HP	1			1	1
2 HP	1		1	2	
3 HP	1	1	1	2	2

NOTE #1 - To ADD/REMOVE run capacitors, ADD/REMOVE the blue wire that connects the run capacitor to the start contactor.

NOTE #1

Do not connect control circuits or other single-phase loads to "A" phase (manufactured phase) from the converter.



NOTE #2 - To ADD/REMOVE start capacitors, ADD/REMOVE the yellow wire that connects the start capacitor to the start contactor.

DISCONNECT CAPACITORS TO OPERATE MOTORS SMALLER THAN 3 HP

ECONO-PHASE® SHIFTER				3 HP TYPE 2PS-OF MODEL 96A	
REVISIONS				RONK ELECTRICAL INDUSTRIES, INC. NOKOMIS, ILLINOIS	
	DATE	BY		DATE	BY
A	1/5/15	NCL	F		
B			G		
C			H		
D			I		
E			J		
DRAWN - NCL				DRWG. NO.	
DATE - 6/26/2014				2-5510A	
APP'D - NCL					

WIRE COLOR LEGEND

BK = BLACK
BL = BLUE
BN = BROWN
LV = LAVENDER
OR = ORANGE
RD = RED
YL = YELLOW

This diagram shows internal wiring only. See Interconnection Diagram, Drwg. No. 2-5345, for installation and balancing instructions for the converter and 240 volt motor.