

ROTO-CON® Type CP Rotary Phase Converters



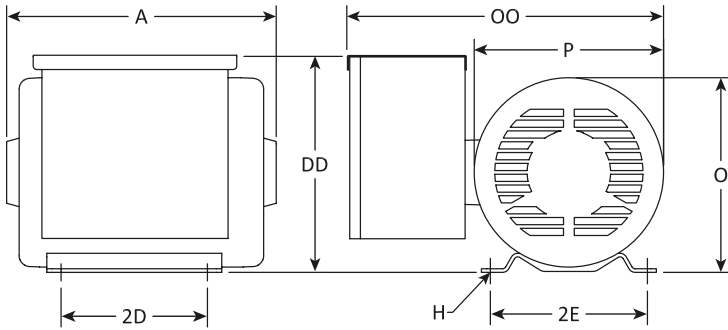
For Center Pivot Irrigation Systems

To select the ROTO-CON CP size

1. Record the code letter of the total FLA ratings of the CP drive motors.
2. In the appropriate code letter column at right, find the maximum amps allowed for the ROTO-CON rating.
3. If additional motors exceed the listed HP, select the next size ROTO-CON.

If you have any questions or need assistance selecting a unit, please call toll free: 1-800-221-7665.

Open drip-proof (ODP) models, illustrated below, are standard for most environments. Order totally enclosed fan-cooled (TEFC) models for use in areas with severe dust, sand, or water.



Maximum Total Pivot Motor Amps

Converter Size	Locked Rotor Code Letter			Max. Rating of Additional Motors
	A - L	M - R	S - V	
CP-3	6.3 A	5.4 A	3.6 A	1 HP
CP-5	10.3 A	8.9 A	5.7 A	2 HP
CP-7.5	14.9 A	12.8 A	8.3 A	3 HP
CP-10	21.6 A	18.6 A	12.0 A	5 HP
CP-15	29.7 A	25.6 A	16.5 A	7.5 HP
CP-20	43.2 A	37.1 A	24.0 A	10 HP
CP-25	54.0 A	46.4 A	30.0 A	10 HP

ROTO-CON CP Full-Load Amperage and Shipping Weights

Converter Size	1Ø FLA @480V	Approx. Weight	
		ODP	TEFC
CP-3	10 A	72 lbs.	
CP-5	15 A	100 lbs.	157 lbs.
CP-7.5	24 A	120 lbs.	180 lbs.
CP-10	31 A	190 lbs.	265 lbs.
CP-15	47 A	240 lbs.	282 lbs.
CP-20	63 A	335 lbs.	430 lbs.
CP-25	78 A	360 lbs.	440 lbs.

A single-phase (1Ø) step-up transformer is required for power sources less than 460 V.

Dimensions of Rotary Base and Panel Control – Mounted Units (in inches)

ODP									
Converter Size	Frame	A	2F	2E	H	O	P	DD	OO
CP-3	184	11-1/2	5-1/2	7-1/2	13/32	8-7/16	7-7/8	12	14-3/4
CP-5	213	12-1/2	4-1/2	8-1/2	13/32	10-1/16	9-9/16	11-1/4	15
CP-7.5	215	12-1/2	6-1/2	8-1/2	13/32	10-1/16	9-9/16	11-1/4	15
CP-10	254	15-1/4	8-1/4	10	17/32	12	11-1/2	14	18
CP-15	256	14-1/4	10	10	17/32	12	11-1/2	14	18
CP-20	286	19	11	11	17/32	13-5/8	13-1/4	15-1/4	22-1/4
CP-25	286	19	11	11	17/32	13-5/8	13-1/4	15-1/4	22-1/4

TEFC									
Converter Size	Frame	A	2F	2E	H	O	P	DD	OO
CP-5 TEFC	213	14-1/8	4-1/2	8-1/2	13/32	10-1/4	9-9/16	14	16-1/2
CP-7.5 TEFC	215	15-1/4	6-1/2	8-1/2	13/32	10-1/4	9-9/16	14	16-1/2
CP-10 TEFC	254	16-1/2	8-1/4	10	17/32	12-7/8	12-15/16	15	20
CP-15 TEFC	256	19-1/4	10	10	17/32	12-7/8	12-15/16	15	21-1/2
CP-20 TEFC	286	19	11	11	17/32	13-5/8	13-1/4	15-1/4	22-1/4
CP-25 TEFC	286	19	11	11	17/32	13-5/8	13-1/4	15-1/4	22-1/4



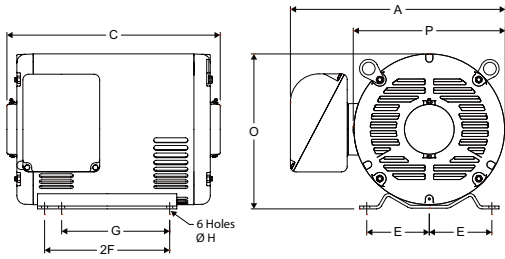
Sales Information: 1-800-221-7665 • Service and Support: 1-217-563-8333

PO Box 160, 106 E State Street, Nokomis, IL 62075-0160 • sales@ronkelectrical.com • www.ronkelectrical.com

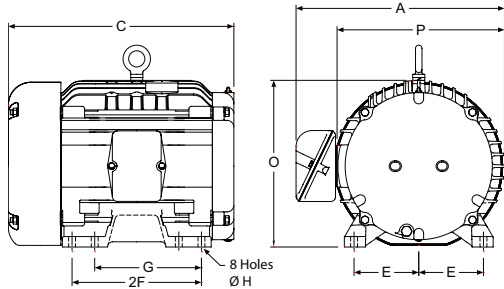
ROTO-CON® Type CP Rotary Phase Converters

For Center Pivot Irrigation Systems

Dimensions of Unmounted Rotary Base (in inches)

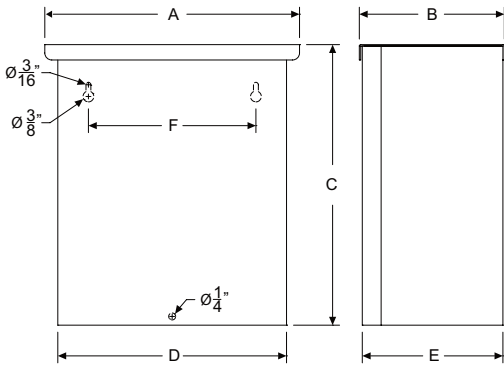


ODP										
Converter Size	Frame	A	C	E	2F	G	H	O	P	Panel Enclosure
CP-3U	184	9-7/8	11-1/2	3-3/4	5-1/2	4-1/2	13/32	8-1/2	7-7/8	600
CP-5U	213	12-3/4	12-1/2	4-1/4	7	5-1/2	13/32	10-1/8	9-5/8	600
CP-7.5U	215	12-3/4	12-1/2	4-1/4	7	5-1/2	13/32	10-1/4	9-5/8	601
CP-10U	254	15-3/8	15-3/8	5	8-1/4		17/32	12	11-3/4	601
CP-15U	256	15-3/8	15-3/8	5	10	8-1/4	17/32	12	11-3/4	602
CP-20U	286	18-7/8	18-3/4	5-1/2	11	9-1/2	17/32	13-5/8	13-1/4	602
CP-25U	286	18-7/8	18-3/4	5-1/2	11	9-1/2	17/32	13-5/8	13-1/4	602

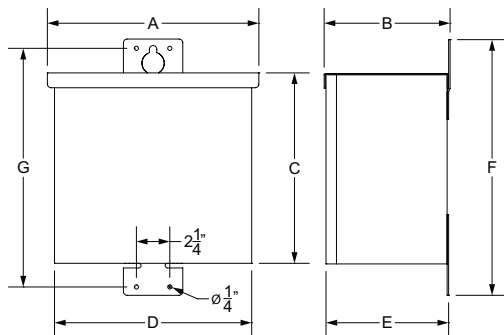


TEFC										
Converter Size	Frame	A	C	E	2F	G	H	O	P	Panel Enclosure
CP-5U TEFC	213	12-7/8	14	4-1/4	7	5-1/2	13/32	10	9-5/8	600
CP-7.5U TEFC	215	12-7/8	15-7/8	4-1/4	7	5-1/2	13/32	10	9-5/8	601
CP-10U TEFC	254	15-9/16	19	5	10	8-1/4	17/32	12-7/8	12-3/8	601
CP-15U TEFC	256	16-1/8	17-7/16	5	10	8-1/4	17/32	12-7/8	13	602
CP-20U TEFC	286	20-1/2	22-11/16	5-1/2	11	9-1/2	17/32	14-7/16	15-5/16	602
CP-25U TEFC	286	20-1/2	22-11/16	5-1/2	11	9-1/2	17/32	14-7/16	15-5/16	602

Dimensions of Unmounted NEMA 3R Control Panel (in inches)



Enclosure	A	B	C	D	E	F
600	9-1/8	5-3/16	10-1/16	8-3/16	5-1/16	6



Enclosure	A	B	C	D	E	F	G
601	12	6-1/2	12-13/16	11-1/16	6-3/16	17-7/16	16-1/4
602	14-1/4	8-1/2	12-13/16	13-5/16	8-1/4	17-1/4	16-1/16



Sales Information: 1-800-221-7665 • Service and Support: 1-217-563-8333

PO Box 160, 106 E State Street, Nokomis, IL 62075-0160 • sales@ronkelectrical.com • www.ronkelectrical.com