

# ROTO-CON® Types P & D-1 Rotary Phase Converters



## Section I – Types 2P and 4P

For the majority of applications, ROTO-CON is sized to the largest 3Ø motor (based on FLA rating) or *total* motor HP to be operated at one time. For some applications, however, it is recommended that ROTO-CON be oversized to operate correctly.

If you have questions about which ROTO-CON model is required, please call toll free at 1-800-221-7665 for a recommendation

**When ordering,  
specify KVA rating and type**

### Type 2P or 2D-1

240 Volt Input  
240 Volt Output

### Type 4P or 4D-1

480 Volt Input  
480 Volt Output

| Section I – Types 2P and 4P |                               |                               |                 |                |                 |                 |
|-----------------------------|-------------------------------|-------------------------------|-----------------|----------------|-----------------|-----------------|
| Converter Size              | Largest 3Ø Motor – Easy Start | Largest 3Ø Motor – Hard Start | Total 3Ø Motors | Approx. Weight | 1Ø FLA          |                 |
|                             |                               |                               |                 |                | Type 2P (240 V) | Type 4P (480 V) |
| 2 KVA                       | 1 HP                          | 0.75 HP                       | 2 HP            | 65 lbs.        | 10 A            | 5 A             |
| 4 KVA                       | 2 HP                          | 1 HP                          | 4 HP            | 66 lbs.        | 20 A            | 10 A            |
| 6 KVA                       | 3 HP                          | 2 HP                          | 6 HP            | 72 lbs.        | 30 A            | 15 A            |
| 10 KVA                      | 5 HP                          | 3 HP                          | 10 HP           | 101 lbs.       | 48 A            | 24 A            |
| 15 KVA                      | 7.5 HP                        | 5 HP                          | 15 HP           | 125 lbs.       | 72 A            | 36 A            |
| 20 KVA                      | 10 HP                         | 7.5 HP                        | 20 HP           | 198 lbs.       | 96 A            | 48 A            |
| 30 KVA                      | 15 HP                         | 10 HP                         | 30 HP           | 254 lbs.       | 135 A           | 68 A            |
| 40 KVA                      | 20 HP                         | 15 HP                         | 40 HP           | 386 lbs.       | 180 A           | 90 A            |
| 50 KVA                      | 25 HP                         | 20 HP                         | 50 HP           | 387 lbs.       | 225 A           | 113 A           |
| 60 KVA                      | 30 HP                         |                               | 60 HP           | 418 lbs.       | 265 A           | 133 A           |
| 80 KVA                      | 40 HP                         |                               | 80 HP           | 448 lbs.       | 350 A           | 175 A           |
| 100 KVA                     | 50 HP                         |                               | 100 HP          | 497 lbs.       | 440 A           | 220 A           |
| 120 KVA*                    | 60 HP                         |                               | 120 HP          | 543 lbs.       | 530 A           | 265 A           |

## Section II – Types 2D-1 and 4D-1

For single hard-starting motors, multiple small motors up to nameplate of converter, or non-motor loads. For non-motor loads, complete the appropriate application form (found at ronkelectrical.com under “Applications”) and submit to Ronk for custom guided product selection.

| Section II – Types 2D-1 and 4D-1 |                         |                 |                |                   |                   |
|----------------------------------|-------------------------|-----------------|----------------|-------------------|-------------------|
| Converter Size                   | Largest Single 3Ø Motor | Total 3Ø Motors | Approx. Weight | 1Ø Input FLA      |                   |
|                                  |                         |                 |                | Type 2D-1 (240 V) | Type 4D-1 (480 V) |
| 5.3 KVA                          | 5 HP                    | 5.3 HP          | 126 lbs.       | 30 A              | 15 A              |
| 8 KVA                            | 7.5 HP                  | 8 HP            | 199 lbs.       | 42 A              | 21 A              |
| 12 KVA                           | 10 HP                   | 12 HP           | 255 lbs.       | 54 A              | 27 A              |
| 16 KVA                           | 15 HP                   | 16 HP           | 388 lbs.       | 70 A              | 35 A              |
| 21 KVA                           | 20 HP                   | 21 HP           | 392 lbs.       | 90 A              | 45 A              |
| 28 KVA                           | 25 HP                   | 28 HP           | 418 lbs.       | 120 A             | 60 A              |
| 35 KVA                           | 30 HP                   | 35 HP           | 454 lbs.       | 150 A             | 75 A              |
| 42 KVA*                          | 40 HP                   | 42 HP           | 494 lbs.       | 180 A             | 90 A              |

It may be necessary to furnish auxiliary starting panels for better starting acceleration with high torque or inertia loads. All listed units come with 3-pole power distribution blocks to simplify wiring connections. There are optional configurations available to meet your needs. Call Ronk toll-free at 1-800-221-7665 for information regarding these optional configurations.

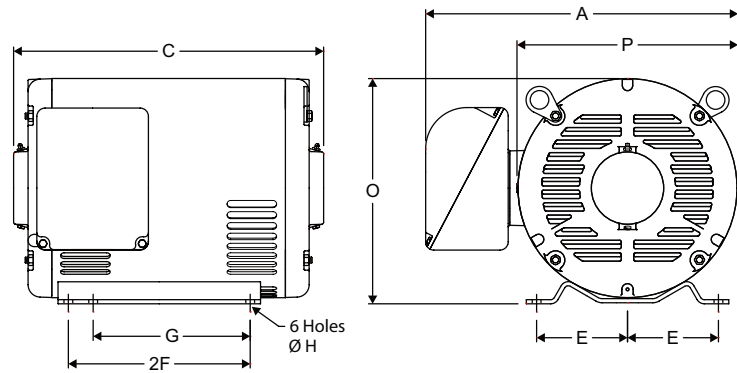


**Sales Information:** 1-800-221-7665 • **Service and Support:** 1-217-563-8333

PO Box 160, 106 E State Street, Nokomis, IL 62075-0160 • sales@ronkelectrical.com • www.ronkelectrical.com

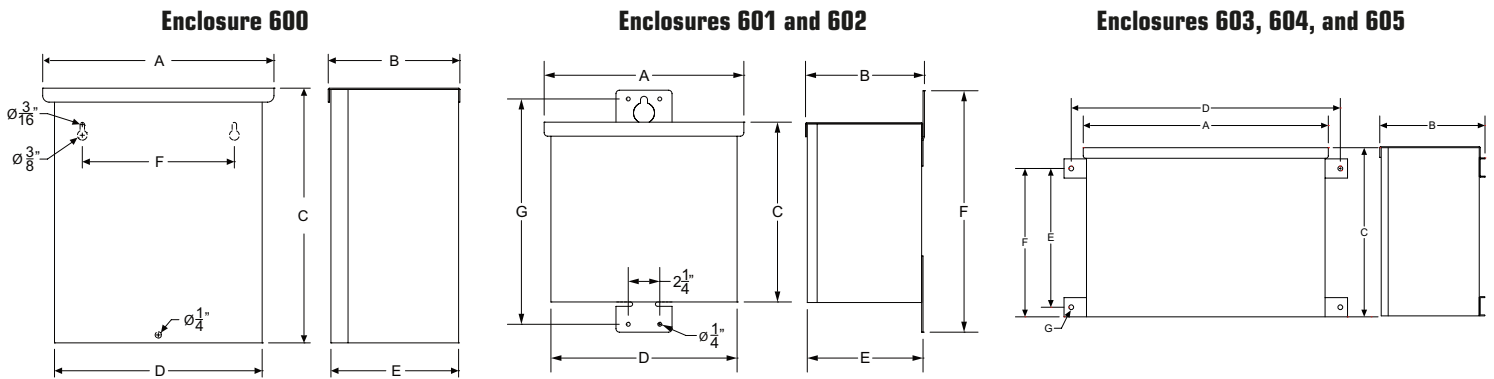
# ROTO-CON® Types P & D-1 Rotary Phase Converters

Dimensions of Rotary Base and Panel Control,  
Open Drip-proof Rotary (in inches)



| Converter Size |           | Rotary Frame | ODP Rotary Base Dimensions (in inches) |        |       |        |        |       |        |        | Enclosure Panels |         |      |     |
|----------------|-----------|--------------|--|--------|-------|--------|--------|-------|--------|--------|------------------|---------|------|-----|
| 2P/4P          | 2D-1/4D-1 |              | A                                      | C      | E     | 2F     | G      | H     | O      | P      | 2P               | 4P      | 2D-1 | 4D1 |
| 2 KVA          |           | 182          | 9-7/8                                  | 10-1/8 | 3-3/4 | 5-1/2  | 4-1/2  | 13/32 | 8-1/2  | 7-7/8  | 600              | 600     |      |     |
| 4 KVA          |           | 182          | 9-7/8                                  | 10-1/8 | 3-3/4 | 5-1/2  | 4-1/2  | 13/32 | 8-1/2  | 7-7/8  | 600              | 600     |      |     |
| 6 KVA          |           | 184          | 9-7/8                                  | 11-1/2 | 3-3/4 | 5-1/2  | 4-1/2  | 13/32 | 8-1/2  | 7-7/8  | 600              | 600     |      |     |
| 10 KVA         |           | 213          | 12-3/4                                 | 12-1/2 | 4-1/4 | 7      | 5-1/2  | 13/32 | 10-1/8 | 9-5/8  | 600              | 600     |      |     |
| 15 KVA         | 5.3 KVA   | 215          | 12-3/4                                 | 12-1/2 | 4-1/4 | 7      | 5-1/2  | 13/32 | 10-1/4 | 9-5/8  | 601              | 601     | 601  | 601 |
| 20 KVA         | 8 KVA     | 254          | 15-3/8                                 | 15-3/8 | 5     | 8-1/4  |        | 17/32 | 12     | 11-3/4 | 602              | 602     | 602  | 602 |
| 30 KVA         | 12 KVA    | 256          | 15-3/8                                 | 15-3/8 | 5     | 10     | 8-1/4  | 17/32 | 12     | 11-3/4 | 602              | 602     | 602  | 602 |
| 40 KVA         | 16 KVA    | 286          | 18-7/8                                 | 18-3/4 | 5-1/2 | 11     | 9-1/2  | 17/32 | 13-5/8 | 13-1/4 | 603              | 602     | 603  | 602 |
| 50 KVA         | 21 KVA    | 286          | 18-7/8                                 | 18-3/4 | 5-1/2 | 11     | 9-1/2  | 17/32 | 13-5/8 | 13-1/4 | 603              | 602     | 603  | 602 |
| 60 KVA         |           | 286          | 18-7/8                                 | 18-3/4 | 5-1/2 | 11     | 9-1/2  | 17/32 | 13-5/8 | 13-1/4 | (2) 603          | (2) 602 |      |     |
| 80 KVA         | 28 KVA    | 324          | 20-7/8                                 | 21-1/8 | 6-1/4 | 12     | 10-1/2 | 21/32 | 15-5/8 | 15-1/4 | (2) 603          | (2) 602 | 603  | 603 |
| 100 KVA        | 35 KVA    | 326          | 20-7/8                                 | 21-1/8 | 6-1/4 | 12     | 10-1/2 | 21/32 | 15-5/8 | 15-1/4 | (2) 604          | (2) 603 | 604  | 603 |
| 120 KVA        | 42 KVA    | 364          | 23-1/2                                 | 21-1/8 | 7     | 12-1/4 | 11-1/4 | 21/32 | 16-5/8 | 15-1/4 | (2) 605          | (2) 603 | 605  | 603 |

Dimensions of NEMA 3R Enclosures (in inches)



| Enclosure | A     | B      | C       | D      | E      | F |
|-----------|-------|--------|---------|--------|--------|---|
| 600       | 9-1/8 | 5-3/16 | 10-1/16 | 8-3/16 | 5-1/16 | 6 |

| Enclosure | A      | B     | C        | D       | E      | F       | G       |
|-----------|--------|-------|----------|---------|--------|---------|---------|
| 601       | 12     | 6-1/2 | 12-13/16 | 11-1/16 | 6-3/16 | 17-7/16 | 16-1/4  |
| 602       | 14-1/4 | 8-1/2 | 12-13/16 | 13-5/16 | 8-1/4  | 17-1/4  | 16-1/16 |

| Enclosure | A      | B        | C      | D  | E      | F      | G   |
|-----------|--------|----------|--------|----|--------|--------|-----|
| 603       | 17     | 11       | 16-1/8 | 18 | 10     | 13     | 1/2 |
| 604       | 25-1/2 | 10-15/16 | 17-5/8 | 28 | 14-7/8 | 15-7/8 | 1/2 |
| 605       | 25-1/2 | 11-15/16 | 20-1/8 | 28 | 17     | 18     | 1/2 |



Sales Information: 1-800-221-7665 • Service and Support: 1-217-563-8333

PO Box 160, 106 E State Street, Nokomis, IL 62075-0160 • sales@ronkelectrical.com • www.ronkelectrical.com

TS-009\_07-2016