

ROTO-LOAD CENTER® Rotary Phase Converters



ROTO-LOAD CENTER is designed for applications with three-phase (3Ø) electronic equipment or systems with line-to-neutral circuits that cannot be modified. Most 3Ø electronic devices have specific +/- voltage tolerances that must be maintained under all operating conditions.

Applications with hard-starting motors or wide load swings may require a larger converter. Best results are achieved between 20% and 80% of converter capacity. Loads that require better tolerances may require the use of a power conditioner as well.

Models shown consist of a rotary converter with pad mount transformer. Contact Ronk for other options.

240 V Input; 208 V / 120 V Wye Output					
Converter Size	Approx. Shipping Weight (lbs)	1Ø FLA	Approx. Starting Amps	Rotary Base Frame	Maximum 3Ø Load (A)
8 KVA Type 2RLC	400	34	230	254RLC	22
12 KVA Type 2RLC	450	50	275	256RLC	33
15 KVA Type 2RLC	550	66	330	286RLC	42
21 KVA Type 2RLC	650	88	330	286RLC	58
28 KVA Type 2RLC	750	117	375	324RLC	77
30 KVA Type 2RLC	775	125	450	326RLC	83
35 KVA Type 2RLC	850	146	450	326RLC	97
42 KVA Type 2RLC*	1,000	175	520	364RLC	116

*42 KVA-364 Frame, not UL or CSA.

240 V Input; 480 V / 277 V Wye Output					
Converter Size	Approx. Shipping Weight (lbs)	1Ø FLA	Approx. Starting Amps	Rotary Base Frame	Maximum 3Ø Load (A)
8 KVA Type 3RLC	400	34	230	254RLC	10
12 KVA Type 3RLC	450	50	275	256RLC	14.4
15 KVA Type 3RLC	550	66	330	286RLC	18
21 KVA Type 3RLC	650	88	330	286RLC	25
28 KVA Type 3RLC	750	117	375	324RLC	34
30 KVA Type 3RLC	775	125	450	326RLC	36
35 KVA Type 3RLC	850	146	450	326RLC	42
42 KVA Type 3RLC*	1,000	175	520	364RLC	51

*42 KVA-364 Frame, not UL or CSA.

Other models available; contact the factory for details.

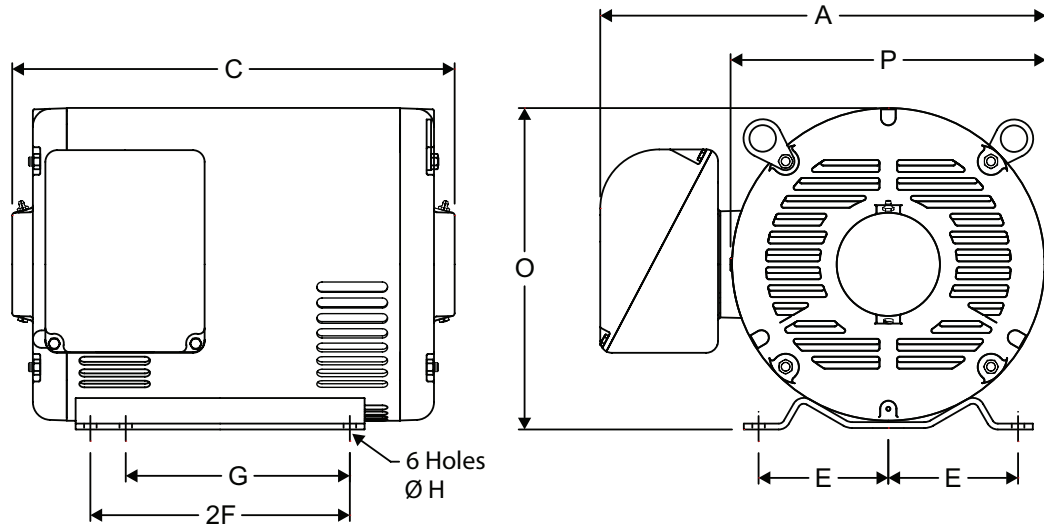


Sales Information: 1-800-221-7665 • Service and Support: 1-217-563-8333

PO Box 160, 106 E State Street, Nokomis, IL 62075-0160 • sales@ronkelectrical.com • www.ronkelectrical.com

ROTO-LOAD CENTER® Rotary Phase Converters

Dimensions of Rotary Base and Transformer Enclosure

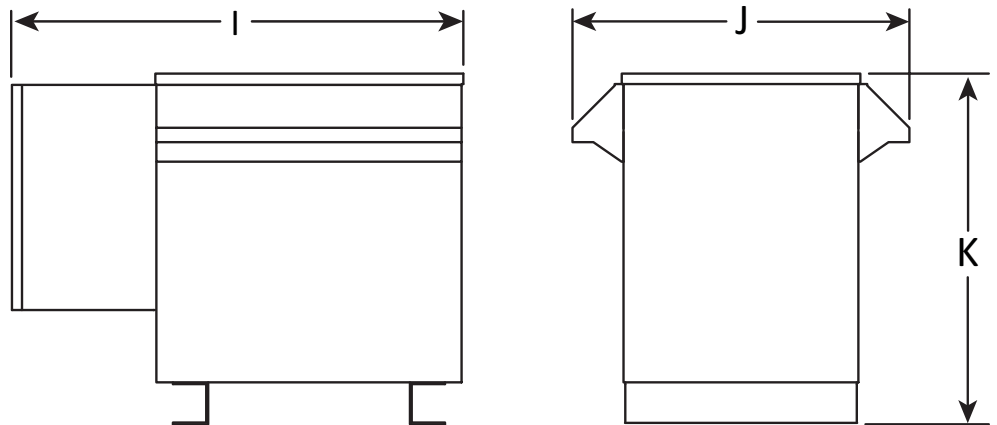


Converter Size	Rotary Base Dimensions (in inches)								
	Frame	A	C	E	2F	G	H	O	P
8 KVA	254RLC	15-3/8	15-3/8	5	8-1/4		17/32	12	11-3/4
12 KVA	256RLC	15-3/8	15-3/8	5	10	8-1/4	17/32	12	11-3/4
15 KVA/21 KVA	286RLC	18-7/8	18-3/4	5-1/2	11	9-1/2	17/32	13-5/8	13-1/4
28 KVA	324RLC	20-7/8	21-1/8	6-1/4	12	10-1/2	21/32	15-5/8	15-1/4
30 KVA/35 KVA	326RLC	20-7/8	21-1/8	6-1/4	12	10-1/2	21/32	15-5/8	15-1/4
42 KVA*	364RLC	23-1/2	21-1/8	7	12-1/4	11-1/4	21/32	16-5/8	15-1/4

*42 KVA-364 Frame, not UL or CSA.

Converter Size	3Ø Transformer Capacitor Dimensions (in inches)		
	I	J	K
8 KVA	28	21	22
12 KVA/15 KVA	28	21	22
21 KVA	33	22	25
28 KVA	33	22	25
30 KVA	33	22	25
35 KVA/42 KVA*	34	23	28

*42 KVA-364 Frame, not UL or CSA.



RONK

Sales Information: 1-800-221-7665 • Service and Support: 1-217-563-8333

PO Box 160, 106 E State Street, Nokomis, IL 62075-0160 • sales@ronkelectrical.com • www.ronkelectrical.com

TS-010_07-2019