

# ROTOVERTER® Type D Rotary Phase Converter



For the majority of applications, ROTOVERTER® Type D is sized to the largest 3Ø motor (based on FLA rating) or TOTAL motor HP to be operated at one time. For some applications, however, it is recommended that ROTOVERTER be oversized. For non-motor applications, it is necessary to know FLA rating of equipment and, for electronic power supplies, any ± voltage requirements.

**When ordering, specify KVA rating and type:**

**Type 2D or 2D-AS**

240 Volt Input/  
240 Volt Output

**Type 4D or 4D-AS**

480 Volt Input/  
480 Volt Output

SECTION I - TYPE 2D & 4D (Consists of a Rotary Transformer & One Capacitor Panel)							
CONVERTER SIZE*	240 V TYPE	480 V TYPE	LARGEST 3Ø MOTOR HP	TOTAL 3Ø MOTORS HP	APPROX. WT. (LBS)	1Ø FLA	
						@240 V	@480 V
1.4 KVA	2D	4D	1	1.4	70	10	5
2.1 KVA	2D	4D	2	2.1	90	15	8
3.5 KVA	2D	4D	3	3.5	98	22	11
5.3 KVA	2D	4D	5	5.3	125	30	15
8 KVA	2D	4D	7.5	8	245	42	21
12 KVA	2D	4D	10	12	248	54	27
16 KVA	2D	4D	15	16	289	70	35
21 KVA	2D	4D	20	21	324	90	45
28 KVA	2D	4D	25	28	445	120	60
35 KVA	2D	4D	30	35	480	150	75
42 KVA	2D**	4D**	40	42	584	180	90

Automatic start units are supplied with a contactor and associated controls that allow the unit to be integrated with equipment that may cycle automatically from control circuitry containing timers, level or pressure sensors, etc. This allows the rotary transformer to come to speed before the load is energized, as required by Article 455-21 of the NEC®.

SECTION II - TYPE 2D-AS & 4D-AS (Consists of a Rotary Transformer & One Capacitor Panel)							
CONVERTER SIZE*	240 V TYPE	480 V TYPE	LARGEST 3Ø MOTOR HP	TOTAL 3Ø MOTORS HP	APPROX. WT. (LBS)	1Ø FLA	
						@240 V	@480 V
1.4 KVA	2D-AS	4D-AS	1	1.4	72	10	5
2.1 KVA	2D-AS	4D-AS	2	2.1	92	15	8
3.5 KVA	2D-AS	4D-AS	3	3.5	100	22	11
5.3 KVA	2D-AS	4D-AS	5	5.3	128	30	15
8 KVA	2D-AS	4D-AS	7.5	8	248	42	21
12 KVA	2D-AS	4D-AS	10	12	251	54	27
16 KVA	2D-AS	4D-AS	15	16	294	70	35
21 KVA	2D-AS	4D-AS	20	21	329	90	45
28 KVA	2D-AS	4D-AS	25	28	450	120	60
35 KVA	2D-AS	4D-AS	30	35	486	150	75
42 KVA	2D-AS**	4D-AS**	40	42	590	180	90

It may be necessary to furnish auxiliary starting panels for better starting acceleration with high torque or inertia loads. All listed units come with 3-pole power distribution blocks to simplify wiring connections. There are optional configurations available to meet your special needs. Call Ronk toll free at 1-800-221-7665 for information on these optional configurations.

\* ROTOVERTER is designed to operate this load continuously. Additional motors can be connected, however, the total horsepower of the load operating at any given time should not exceed this rating.  
\*\* Not Listed

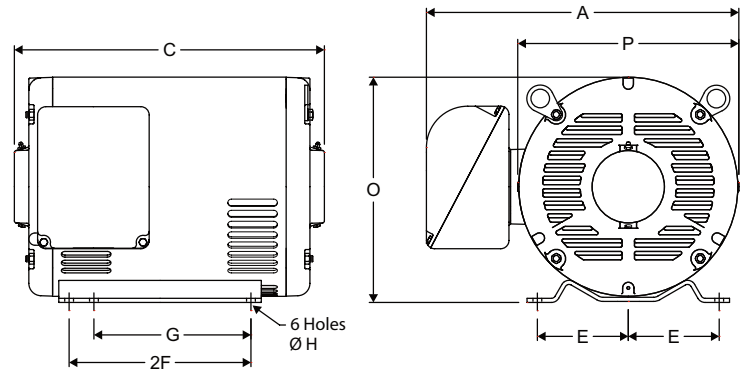


**Sales Information:** 1-800-221-7665 • **Service and Support:** 1-217-563-8333

PO Box 160, 106 E State Street, Nokomis, IL 62075-0160 • sales@ronkelectrical.com • www.ronkelectrical.com

# ROTOVERTER® Type D Rotary Phase Converter

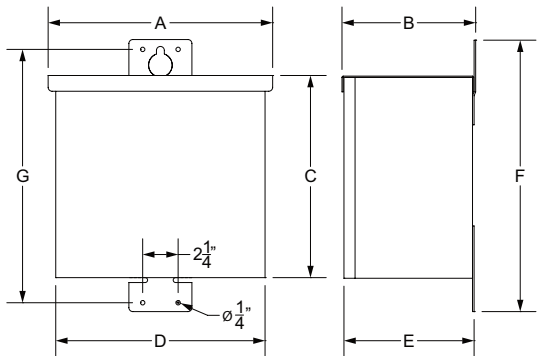
## Dimensions of Rotary Base and Panel Control, Open Drip-proof Rotary (in inches)



ROTARY BASE DIMENSIONS										PANEL CONTROL ENCLOSURE			
KVA	Frame	A	C	E	2F	G	H	O	P	2D	4D	2D-AS	4D-AS
1.4	184	9-7/8	11-1/2	3-3/4	5-1/2	4-1/2	13/32	8-1/2	7-7/8	600	600	602	602
2.1													
3.5	213	12-3/4	12-1/2	4-1/4	7	5-1/2	13/32	10-1/8	9-5/8	601	600	602	602
5.3	215	12-3/4	12-1/2	4-1/4	7	5-1/2	13/32	10-1/4	9-5/8	601	600	603	602
8	254	15-3/8	15-3/8	5	8-1/4		17/32	12	11-3/4	601	601	603	603
12	256	15-3/8	15-3/8	5	10	8-1/4	17/32	12	11-3/4	602	601	603	603
16	286	18-7/8	18-3/4	5-1/2	11	9-1/2	17/32	13-5/8	13-1/4	603	601	604	603
21										604	602	604	603
28	326	20-7/8	21-1/8	6-1/4	12	10-1/2	21/32	15-5/8	15-1/4	604	602	605	604
35										605	603	130	604
42	364	23-1/2	21-1/8	7	12-1/4	11-1/4	21/32	16-5/8	15-1/4	605	603	130	605

## Dimensions of NEMA 3R Enclosures (in inches)

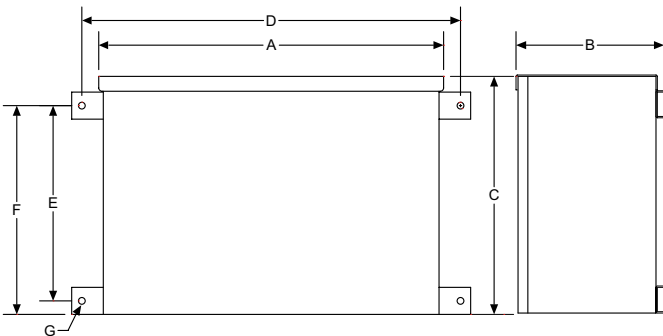
Figure 1



ENCLOSURE	A	B	C	D	E	F	G
600*	9-1/8	5-3/16	10-1/16	8-3/16	5-1/16	6	
601	12	6-1/2	12-13/16	11-1/16	6-3/16	17-7/16	16-1/4
602	14-1/4	8-1/2	12-13/16	13-5/16	8-1/4	17-1/4	16-1/16

\*Mounting tabs not available on 600 enclosure

Figure 2



ENCLOSURE	A	B	C	D	E	F	G
603	17	11	16-1/8	18	10	13	1/2
604	25-1/2	10-15/16	17-5/8	28	14-7/8	15-7/8	1/2
605	25-1/2	11-15/16	20-1/8	28	17	18	1/2
130	28-3/4	16-1/2	26-3/4	32-1/4	17-5/8	22-1/8	9/16

# RONK

Sales Information: 1-800-221-7665 • Service and Support: 1-217-563-8333

PO Box 160, 106 E State Street, Nokomis, IL 62075-0160 • sales@ronkelectrical.com • www.ronkelectrical.com

TS-013\_07-2016