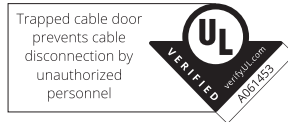


## Are you emergency power ready?

The Powertron® Tap Box makes your facility “emergency power ready,” avoiding the clumsy, costly and time consuming process of connecting temporary power. The installation of a Powertron® Tap Box allows you to:



- Establish a quick connection during power outages and load banking
- Predetermine load requirements, generator sizing and cable lengths
- Identify proper location for the temporary generator; minimizing disruption
- Improve safety and security by eliminating exposed cables and clutter



### Technical Data

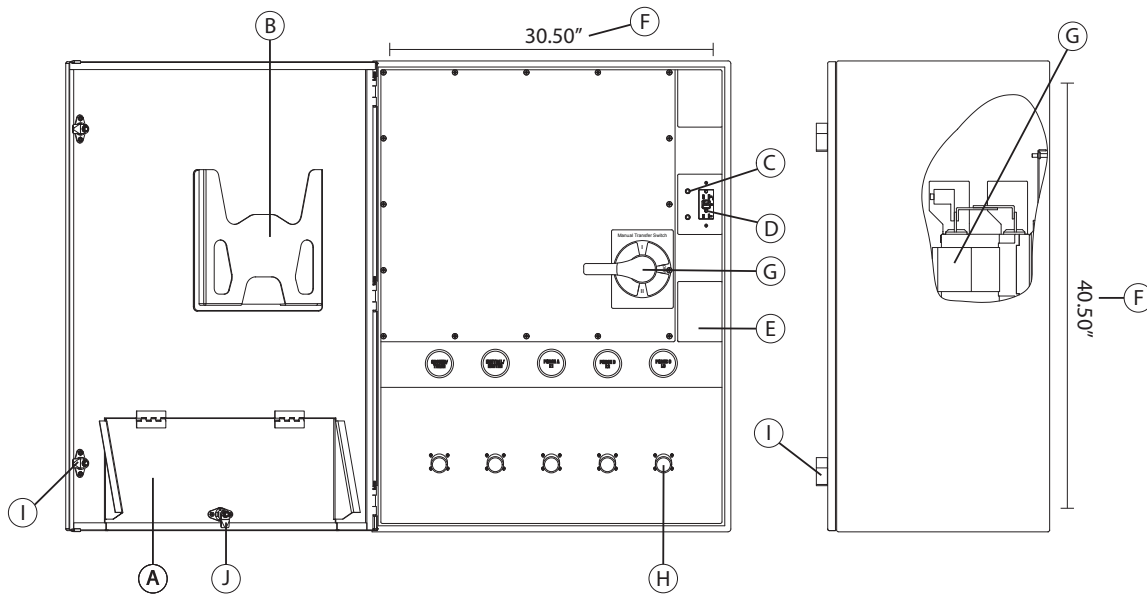
Rating	100 Amps, 120/208 VAC, 120/240 VAC, 277/480 VAC, 347/600 VAC, Single Phase, 3 Phase or 4 Pole
Enclosure	Wall mount, mild steel or stainless steel, weather tight enclosure by Hoffman®
Dimensions	42.0"H x 32.0"W x 20"D
Incoming Utility Power Connection	Connect to MTS lug, see detail G on back side
Completed Assembly Safety Agency Approved	cULus Listed 1008   Control # 47HY   Product ID: Enclosed Power Inlet
UL Verified, A061453	Trapped cable door prevents cable disconnection by unauthorized personnel.

### Key Features and Benefits

Security and Safety	Powertron's® Trapped Cable Door upholds a UL Verified Mark which was tested to ensure added security and safety while the generator cables are connected to the tap box. Additional features such as the KIRK® Key field assembled kit and lockable door also provides greater security and safety.
Cold Weather Startup	GFCI receptacle allows power to be provided safely to a generator block heater and battery charger for cold weather operation.
Automatic Startup	During inclement weather conditions or during a load bank test, the Start/Stop terminals enable your mobile generator to standby to automatically restore power to your facility when using an Automatic Transfer Switch.
Backup Power Contingency Plan	Provides your business the ability to have an emergency back power contingency plan into your facility.
Harsh Weather Protection	Engineered and tested to withstand the toughest conditions. Features of the enclosure such as the trapped cable door adds protection during inclement weather conditions.
Uncompromising Quality	Engineered and assembled with the highest quality components from the most respected and leading manufacturers in their industry.

UL Listed & Registered Quality Components from





**Enclosure Specifications**

Type	Height	Width	Depth	Material	Color/Finish	Unit Weight	Shipping Weight
NEMA 3R	42.0"	32.0"	20"	Mild Steel	Powder Coat Light Ivory	240	290
				Stainless Steel	Clear Brushed Finish	215	265

**KIRK® KEY TRAPPED DOOR LOCK**

FIELD ASSEMBLED KIT (Not Included)

Part Number	Description	Kit Includes
TBQC-KIRKF9831-001	Single Barrell Opening	Mounting Bracket, Hardware & Instructions
TBQC-KIRKF9831-002	Double Barrell Opening	Mounting Bracket, Hardware & Instructions

**PHASE ROTATION MONITOR**

FIELD ASSEMBLED KIT (Not Included)

Part Number	Description	Kit Includes
TBCQ-MONITOR-KT1	For 240V to 600V Tap Boxes Only <i>(208V not available)</i>	Relay Module, Cable Leads & Instructions

**Standard Components**

A	Trapped Cable Door Patented #US D771,580 S UL Verified Mark #: A061453
B	Owner's Manual Holder
C	Remote Start/Stop Terminals
D	GFCI 20 Amp Receptacle
E	Cover plate shall only be removed when installing Powertron® Phase Rotation Monitor
F	Mounting Hole Pattern – (4X) 0.50" dia.
G	Manual Transfer Switch: connection point mechanical lug 2 AWG to 600 KCML per phase
H	Series 16, 400 Amp, 600 VAC, Single Pole Cam-Lock Receptacle
I	Key Lock Handle
J	Quarter Turn Twist Lock Handle (non-locking)

**Ordering Information**

Example TBQCM01-LWMS480-3P

<b>TBQCM</b>		<b>01</b>					
SERIES	CAM-LOCK TYPE	AMPERAGE	ENCLOSURE TYPE	VOLTAGE		# OF POLES	
TBQCM	MTS	M Male F Female	LWMS LWSS	208	240	2P	3P
		01 100 Amp	LARGE WALL MOUNT MILD STEEL	208Y/120V	240/120V	SINGLE PHASE, 2 POLE/2 WIRE	3 PHASE, 3 POLE/3 WIRE
			LARGE WALL MOUNT STAINLESS STEEL	480	600	4P	4 POLE/4 WIRE
				480Y/277V	600Y/347V		

Voltage	Ground	Neutral	L1	L2	L3	# of Rows
208Y/120	GRN	WHT	BLK	RED	BLU	x1 Row
240/120	GRN	WHT	BLK	RED	BLU	x1 Row
480Y/277	GRN	WHT	BRN	ORG	YEL	x1 Row
600/347	GRN	WHT	BLK	RED	BLU	x1 Row

POWERTRON® Tap Box Warranty and Terms and Conditions of Sale are available upon request or at [www.powertronsolutions.com](http://www.powertronsolutions.com)