

Are you emergency power ready?

The Powertron® Tap Box makes your facility “emergency power ready,” avoiding the clumsy, costly and time consuming process of connecting temporary power. The installation of a Powertron® Tap Box allows you to:



- Establish a quick connection during power outages and load banking
- Predetermine load requirements, generator sizing and cable lengths
- Identify proper location for the temporary generator; minimizing disruption
- Improve safety and security by eliminating exposed cables and clutter

**NEMA 3R
OUTDOOR RATED**



Technical Data

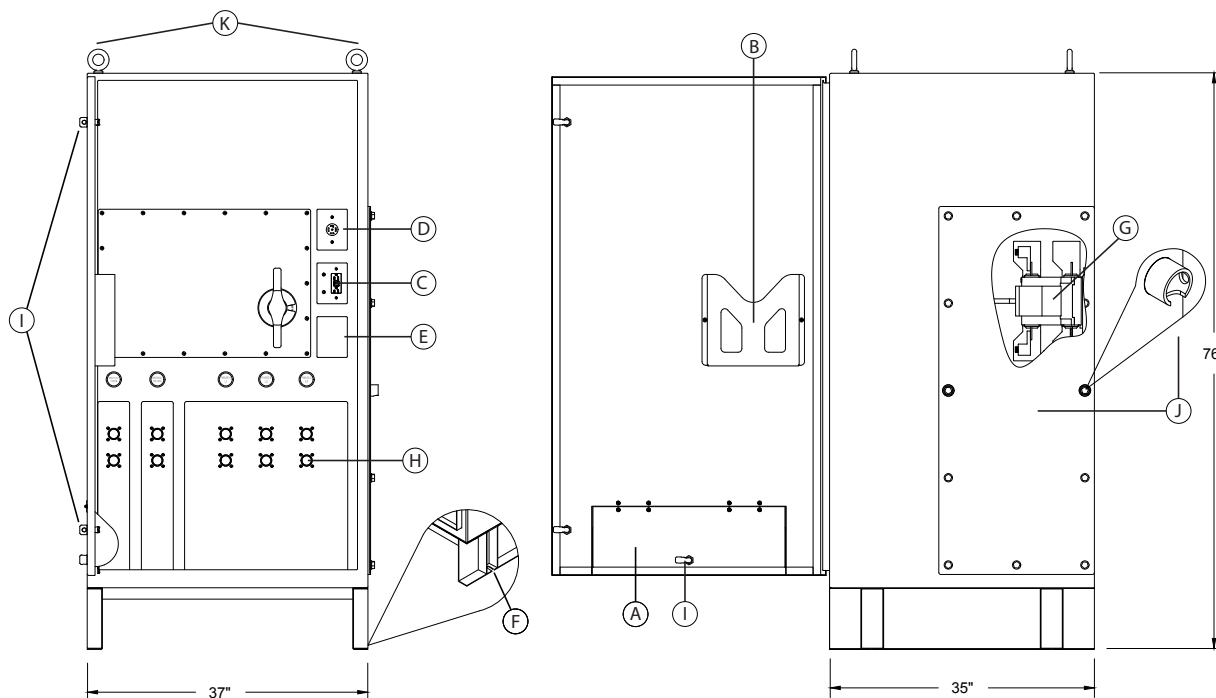
Rating	600 Amps, 120/208 VAC, 120/240 VAC, 277/480 VAC, or 347/600 VAC, 3 Phase or 4 Pole
Enclosure	Pad mount, mild steel or stainless steel, weather tight enclosure by Hoffman®
Dimensions	76.0"H x 37.0"W x 35.0"D
Incoming Utility Power Connection	Connect to MTS lug, see detail G on back side
Completed Assembly Safety Agency Approved	cULus Listed 1008 Control # 47HY Product ID: Enclosed Power Inlet

Key Features and Benefits

Security and Safety	Powertron's® Trapped Cable Door adds security and safety while the generator cables are connected to the tap box. Additional features such as the KIRK® Key field assembled kit and lockable door also provides greater security and safety.
Cold Weather Startup	GFCI receptacle allows power to be provided safely to a generator block heater and battery charger for cold weather operation.
Automatic Startup	During inclement weather conditions or during a load bank test, the Start/Stop terminals enable your mobile generator to standby to automatically restore power to your facility when using an Automatic Transfer Switch.
Backup Power Contingency Plan	Provides your business the ability to have an emergency back power contingency plan into your facility.
Harsh Weather Protection	Engineered and tested to withstand the toughest conditions. Features of the enclosure such as the trapped cable door adds protection during inclement weather conditions.
Uncompromising Quality	Engineered and assembled with the highest quality components from the most respected and leading manufacturers in their industry.

UL Listed & Registered Quality Components from





Enclosure Specifications

Type	Height	Width	Depth	Material	Color/Finish	Unit Weight	Shipping Weight
NEMA 3R	76.0"	37.0"	35.0"	Mild Steel	Powder Coat Light Ivory	XX	XX
				Stainless Steel	Clear Brushed Finish	XX	XX

KIRK® KEY TRAPPED DOOR LOCK

FIELD ASSEMBLED KIT (Not Included)

Part Number	Description	Kit Includes
TBQC-KIRKF9831-001	Single Barrell Opening	Mounting Bracket, Hardware & Instructions
TBQC-KIRKF9831-002	Double Barrell Opening	Mounting Bracket, Hardware & Instructions

PHASE ROTATION MONITOR

FIELD ASSEMBLED KIT (Not Included)

Part Number	Description	Kit Includes
TBCQ-MONITOR-KT2	For 240V to 600V Tap Boxes Only <i>(208V not available)</i>	Relay Module, Cable Leads & Instructions

Standard Components

- A Trapped Cable Door
- B Owner's Manual Holder
- C Remote Start/Stop Terminals & GFCI 20 Amp Receptacle
- D 50 Amp Twist-Lock Receptacle
- E Cover Plate Shall Only Be Removed When Installing Powertron® Phase Rotation Monitor
- F Pad Mounting Layout Estimated Opening – 0.50" dia. 36.0"W X 23.75"D
- G Manual Transfer Switch: connection point mechanical lug 2 AWG to 600 KCML per phase
- H Series 16, 400 Amp, 600 VAC, Single Pole Cam-Lock Receptacle
- I Key Lock Handle (3X)
- J Utility Side Door Secured with Penta Bolts & (2X) Pad Lock Provisions (Penta Socket Included & Pad Locks not Included)
- K Eye Lifting Hooks

Ordering Information

Example TBQCM06-MPMS480-3P

TBQCM		06			
SERIES	CAM-LOCK TYPE	AMPERAGE	ENCLOSURE TYPE	VOLTAGE	# OF POLES
TBQCM	MTS	M Male F Female	MPMS MEDIUM PAD MOUNT MILD STEEL MPSS MEDIUM PAD MOUNT STAINLESS STEEL	208 208Y/120V 240 240/120V 480 480Y/277V 600 600Y/347V	3P 3 PHASE, 3 POLE/3 WIRE 4P 4 POLE/4 WIRE

Voltage	Ground	Neutral	L1	L2	L3	# of Rows
208Y/120	GRN	WHT	BLK	RED	BLU	x2 Rows
240/120	GRN	WHT	BLK	RED	BLU	x2 Rows
480Y/277	GRN	WHT	BRN	ORG	YEL	x2 Rows
600/347	GRN	WHT	BLK	RED	BLU	x2 Rows

POWERTRON® Tap Box Warranty and Terms and Conditions of Sale are available upon request or at www.powertronsolutions.com