



The Avtron Model 2755 are resistive, AC load banks designed for operation indoors when up to 265 kW of resistive load is required.

LOAD BANK RATINGS

Standard capacity ratings of:

3 Phase, 60 Hz

- 265 kW at 480V
- 257 kW at 240V
- 198 kW at 415V
- 192 kW at 208V

Load step resolution of 5 kW at 480V.

Please consult factory for non-standard ratings.

Fan and Control Power

An external 120V, 1 Phase, 60 Hz, 10 amp power source is required for the fan and control circuits. This power is derived from the control power receptacle located on the back of the unit.

Cooling System

Proper cooling is provided by six (6) integral cooling fans. The cooling fans are fuse protected.

Operator Controls

The standard local mode is manual control via "digital toggle" switches. The local mode features full digital monitoring and individual load steps with LED indications. The integral control panel is provided for load bank operation and includes the necessary controls and status indicators.

The optional remote control mode is via the hand-held touchscreen controller. It features a 4.3" color touch screen housed in a rugged and easy to grip industrial grade enclosure. Load selection can be the sum of the entire load string (up to 25 load banks) or individual units within that string. Extremely fast and reliable CANbus communication protocol is used in the SIGMA LT for networking. CANbus protocol reduces network sag which is typically found in RS232 network load banks. A USB port is provided for data download and software updates.

Construction

The 2755 is constructed using heavy gauge aluminized steel per ASTM A463. It is designed for continuous indoor operation. Two (2) moveable and two (2) fixed casters are provided for easy mobility. All exterior fasteners are stainless steel.

Finish

The 2755 has a high quality baked polyester powder coated finish with a film thickness of 2.8 +/- 0.4 mils per coat. The standard color is gray (ANSI 61).

Two Year Warranty Included

The equipment is covered by an industry exclusive 24-month parts and labor warranty.

Model 2755 Specifications

Resistor Elements

Avtron load banks use helically wound chromium alloy Heli-dyne elements. Elements are supported by ceramic insulators on internal frame supports. These elements are designed to operate at approximately 1/2 of their maximum continuous wire rating.

Elements are positioned within the cooling airstream for optimal performance. Changes in resistance due to temperature are minimized by maintaining conservative watt densities. No cool down period required after use.

The overall load tolerance of the 2755 load bank is -0, +5%. This ensures that advertised kW is delivered at rated voltage.

The elements are continuously rated at the specific voltage. Tests at lower voltages, with a corresponding reduction in overall rating, may be carried out.

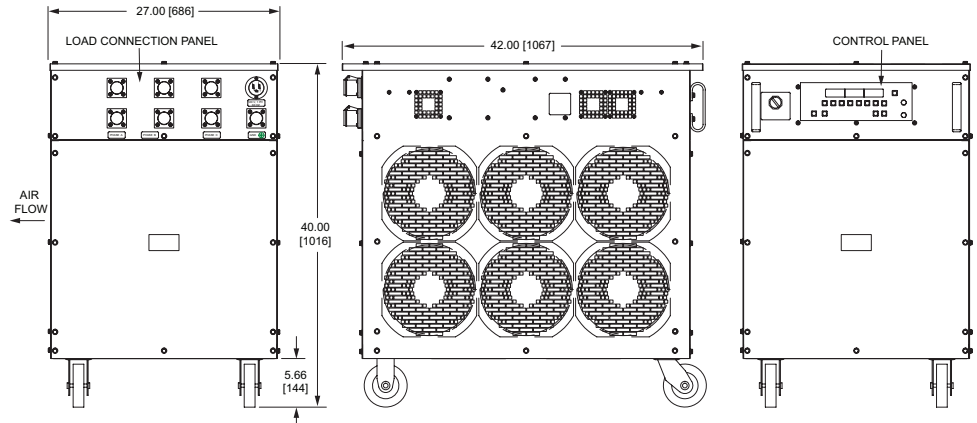
Safety Features

Exhaust temperature sensors are provided to monitor the flow of cooling air. These switches are electrically interlocked with the load application. If the fans are not working properly, the load steps are disabled.

The load bank also contains fuses for short circuit protection. The control/blower circuit is protected with a 15 amp fuse while the individual load steps have branch circuit fuse protection.

Ambient Temperature

The 2755 load bank is designed for continuous duty cycle with no limitations. The ambient temperatures range is -20°F to 120°F (-28°C to 50°C).



All dimensions are in inches [millimeters]. Specifications subject to change without notice.

Optional Accessories

- Control Power Transformer
- 4.3" Color Touchscreen Hand-Held Controller
- 5 m Interconnection Cable (other lengths available)
- 20' Load Cable Set with Connectors

Documentation - Operating Manual

A comprehensive operator's manual is supplied electronically via a USB drive.

Sections include: Safety, Installation, Operation, Maintenance, and Troubleshooting.

Testing and Standards

Avtron load banks comply with NEMA, NEC, and ANSI standards. Quality control system is certified to ISO9001 standards.

Weight and Dimensions

Dimensions (approx. in/mm)			Weight (approx. lb/kg)
Length	Width	Height	
42/ 1067	26.56/ 675	39.96/ 1015	385/175*

* NOTE: Approximate weight includes optional control power transformer.

Support



SIGMA software can be updated free of charge through the Avtron website at the following [link](#).



Optional SIGMA LT Hand-Held Terminal.