

LOAD CONNECTION BUS BAR DETAIL
 BUS BARS ARE 0.50 [13] THICK COPPER
 TYPICAL FOR ALL THREE PHASES
 (SCALE: NONE)

3. AS A GENERAL GUIDE, THE MINIMUM CLEARANCE REQUIRED FROM ANY OBSTRUCTION IS: 6 FEET ON INLET END, 3 FEET ON SIDES AND 8 FEET ON EXHAUST END. REVIEW MANUAL FOR DETAILED INSTALLATION AND SITE CONDITIONS.
2. ALL DIMENSIONS ARE APPROX. IN INCHES & [mm]
1. WEIGHT: APPROX 1800 LBS [816.4kg].

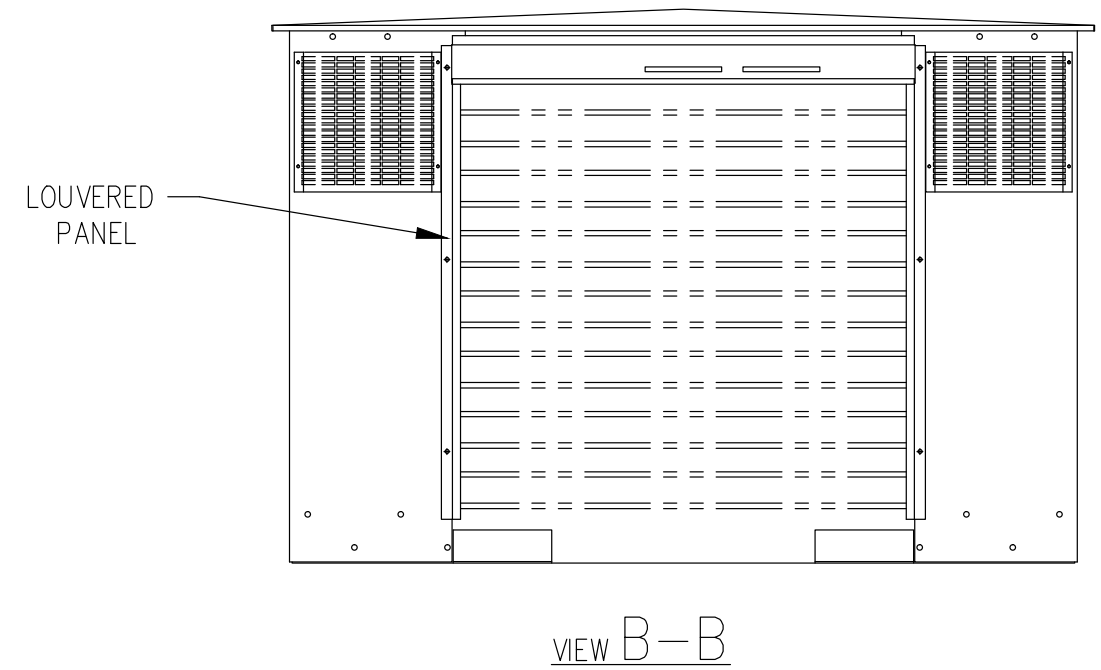
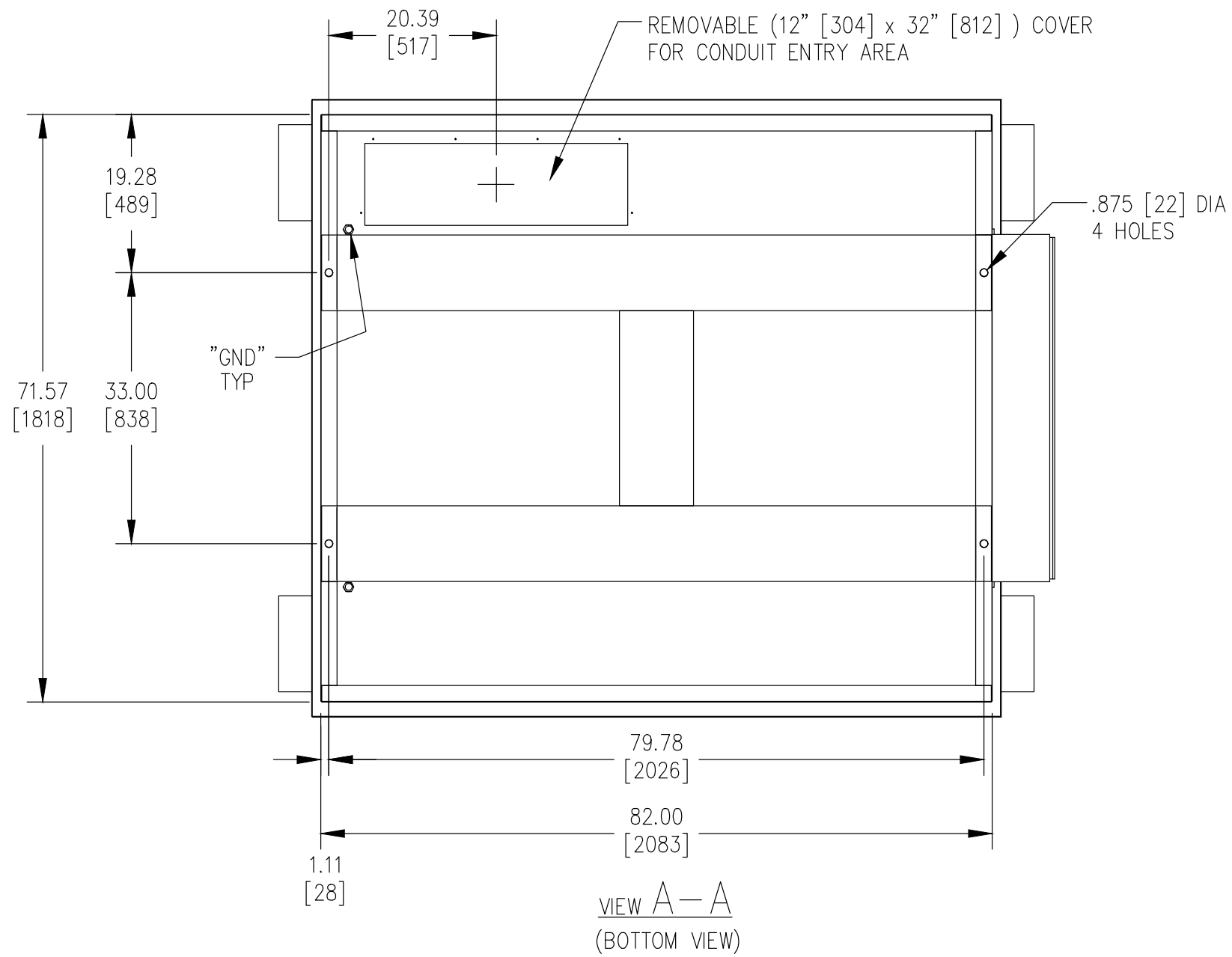


PERMANENT MOUNT LOAD BANK
 GENERAL REFERENCE OUTLINE DRAWING

Model 4600

1 OF 2

Rev. E



2. ALL DIMENSIONS ARE APPROX.
1. WEIGHT:
NOTES:



PERMANENT LOAD BANK
GENERAL REFERENCE OUTLINE DRAWING

Model 4600

2 OF 2

Rev. E