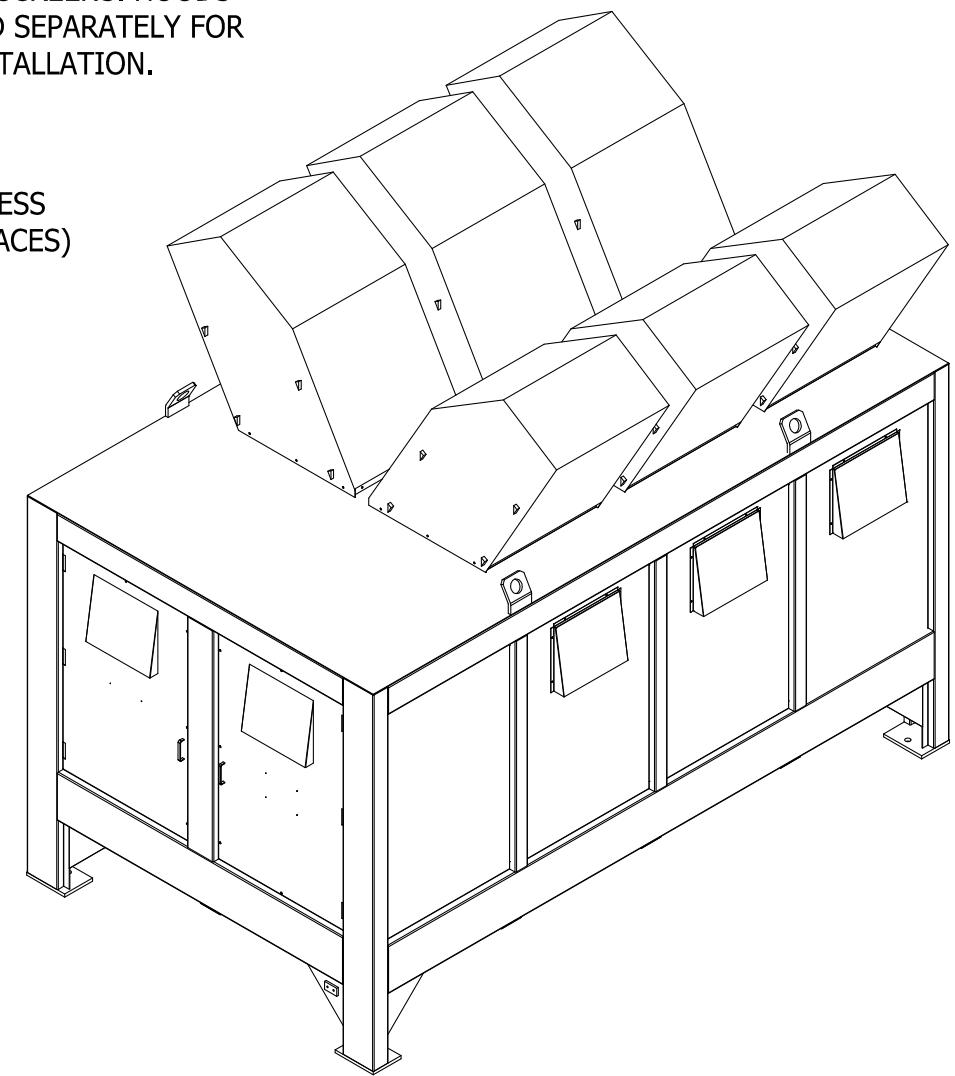


BOLT ON ALUMINIZED STEEL (UNPAINTED) EXHAUST HOODS WITH GALVANIZED STEEL EXHAUST SCREENS. HOODS PACKAGED SEPARATELY FOR FIELD INSTALLATION.

BOLT ON ACCESS PANELS (8 PLACES)



SEE SHEET 2 FOR LOAD BANK MOUNTING INSTRUCTIONS & DESIGN NOTES

5. AS A GENERAL GUIDE, PROVIDE 48" [1219] CLEARANCE ON ALL SIDES.
4. VERTICAL EXHAUST HOODS ARE TO BE FIELD INSTALLED.
3. LOAD BANK IS ELEVATED TO ALLOW UNOBSTRUCTED FAN INTAKE AIR. DO NOT BLOCK LOWER SIDES.
2. ALL DIMENSIONS ARE APPROX IN INCHES [mm].
1. WEIGHT 9,600 LBS [4354 KG] .

UNLESS OTHERWISE SPECIFIED THE ABOVE NOTES APPLY

AVTRON
POWER SOLUTIONS

PERMANENT LOAD BANK
GENERAL REFERENCE OUTLINE DRAWING

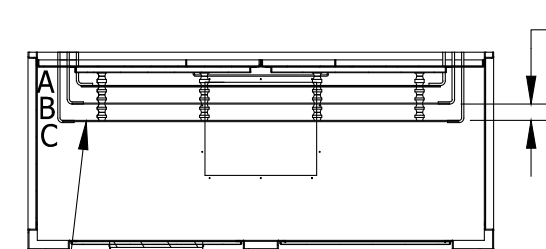
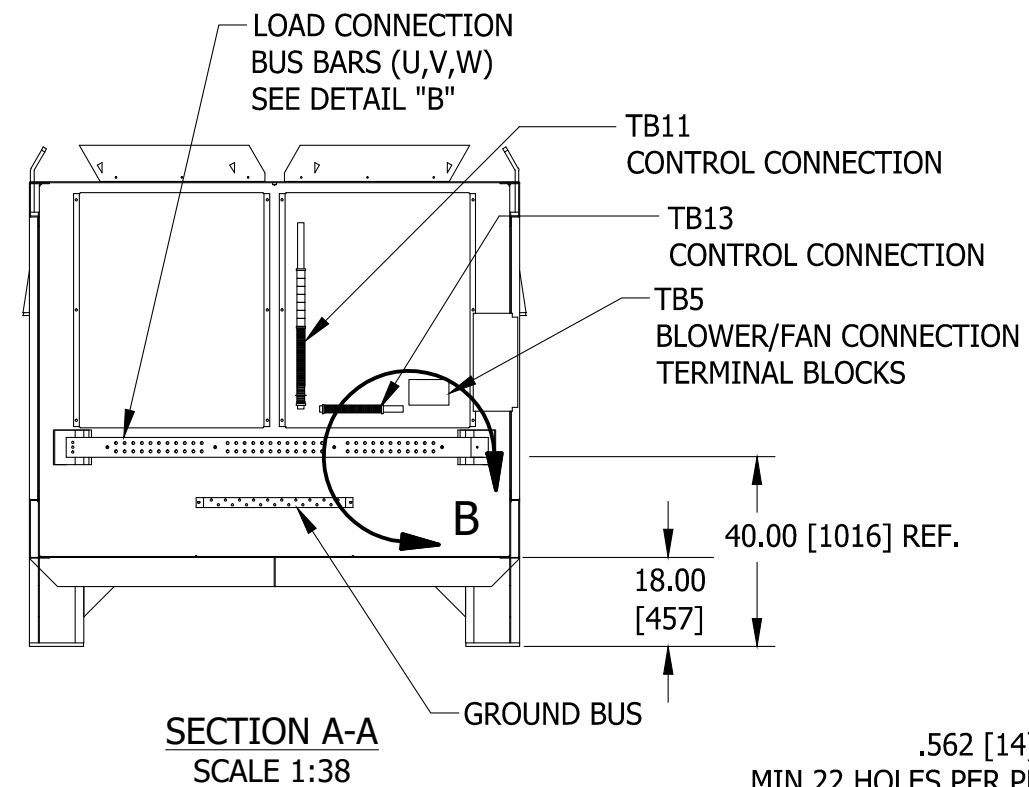
Model 4950

1 OF 2

Rev. -

LOAD BANK MOUNTING INSTRUCTIONS:

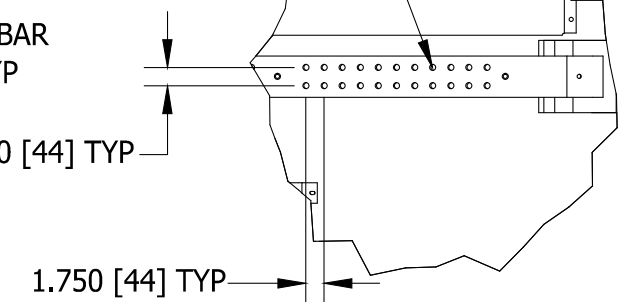
- A) LIFT UNIT BY CRANE WITH RIGGING ATTACHED TO 4 LIFTING CLEATS ON ROOF. LIFT & HANDLE PRIOR TO INSTALLING EXHAUST HOODS.
- B) ANCHOR BOLTS SHALL BE ACQUIRED AND INSTALLED BY OTHERS. THESE NOTES ARE GUIDELINES TO BE REVIEWED BY SITE CIVIL ENGINEER OR FOUNDATION DESIGNER FOR MOUNTING OF LOAD BANK.
- C) IF MOUNTING INTO CONCRETE, ANCHOR BOLTS SHALL BE 3/4" DIA BY 8" LONG STAINLESS STEEL EXPANSION (WEDGE) ANCHORS. USE HILTI KWIK BOLT-3 OR TYPE REFERENCE: "KB-TZ SS304 3/4x8" OR APPROVED EQUIVALENT.
- D) CORROSION RESISTANT ANCHOR BOLT SHALL BE INSTALLED PER VENDOR SUPPLIED INSTRUCTIONS.
- E) ANCHOR BOLT SHALL HAVE 2" PROJECTION ABOVE CONCRETE AFTER INSTALLATION.
- F) PROVIDE A MINIMUM OF 12" EDGE DISTANCE FROM ANCHOR BOLT TO EDGE OF CONCRETE.
- G) FOUNDATION DESIGNER AND/OR CIVIL ENGINEER SHALL REVIEW INSTALLATION. CAST IN PLACE (PRESET) OR EPOXY ANCHORS, IF USED, ARE TO BE SPECIFIED AND APPROVED BY OTHERS.
- H) CONCRETE PAD TO BE PER STRUCTURAL DESIGNER, ARCHITECT OR ENGINEER BUT MUST MEET THE FOLLOWING:
 PAD TO BE LEVEL TO WITHIN 1/2" AT MOUNTING POINTS OVER LENGTH OF LOAD BANK
 PAD SHOULD BE PITCHED OR SLOPED TO PREVENT STANDING WATER UNDER LOAD BANK.
 CONCRETE TO BE CURED MINIMUM 14 DAYS BEFORE INSTALLATION. CONCRETE COMPRESSIVE STRENGTH RATING OF 3,000 PSI MINIMUM.
- I) LOAD IS DRISTIBUTED OVER FOUR MOUNTING PADS. WEIGHT SHOWN ON SHEET 1 DOES NOT INCLUDE SNOW, WIND OR ANCHORING LOADS.
- J) MOUNTING PADS AT BASE ARE 7" x 8" x 0.75" THICK ASTM A36 STEEL WITH 1.25" CLEARANCE HOLE FOR ANCHORS.
- K) IF MOUNTED TO A STEEL BEAM OR COLUMN, USE 3/4" DIA. STAINLESS STEEL HARDWARE OR 3/4" DIA. PLATED STEEL MINIMUM GRADE FIVE. NO STRUCTURE OR EQUIPMENT IS PERMITTED BELOW LOAD BANK WHICH WOULD IMPEDE AIR FLOW.



PLATED COPPER
LOAD CONNECTION
BUS BARS (A,B,C)

SECTION C-C
ROTATED 90° CCW
SCALE 1:40

.562 [14] DIA
MIN 22 HOLES PER PHASE
(FOR LOAD CONNECTION)



DETAIL B
FOR LOAD CONNECTION
SCALE 1 / 18



PERMANENT LOAD BANK
GENERAL REFERENCE OUTLINE DRAWING

Model 4950

2 OF 2

Rev. -