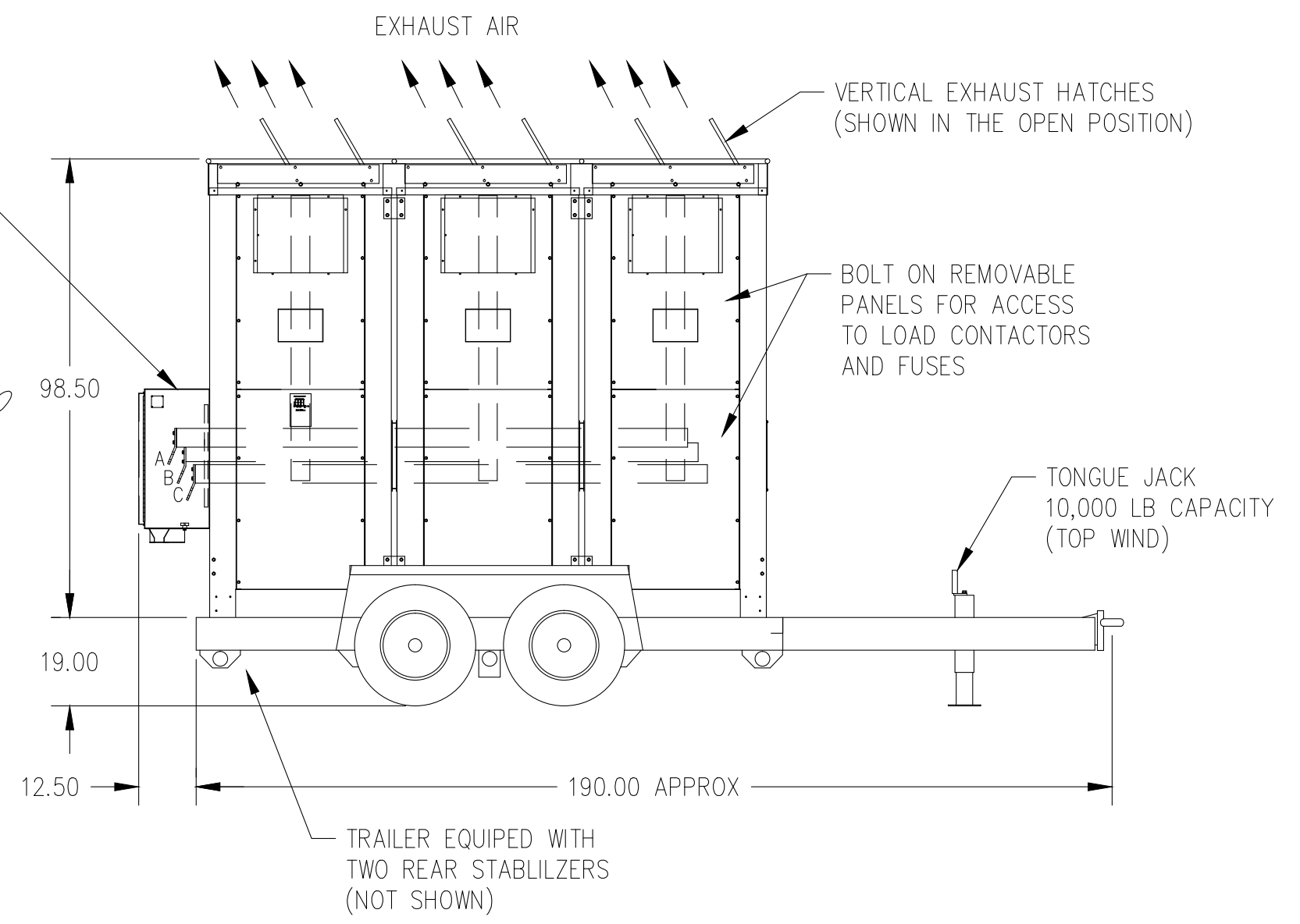
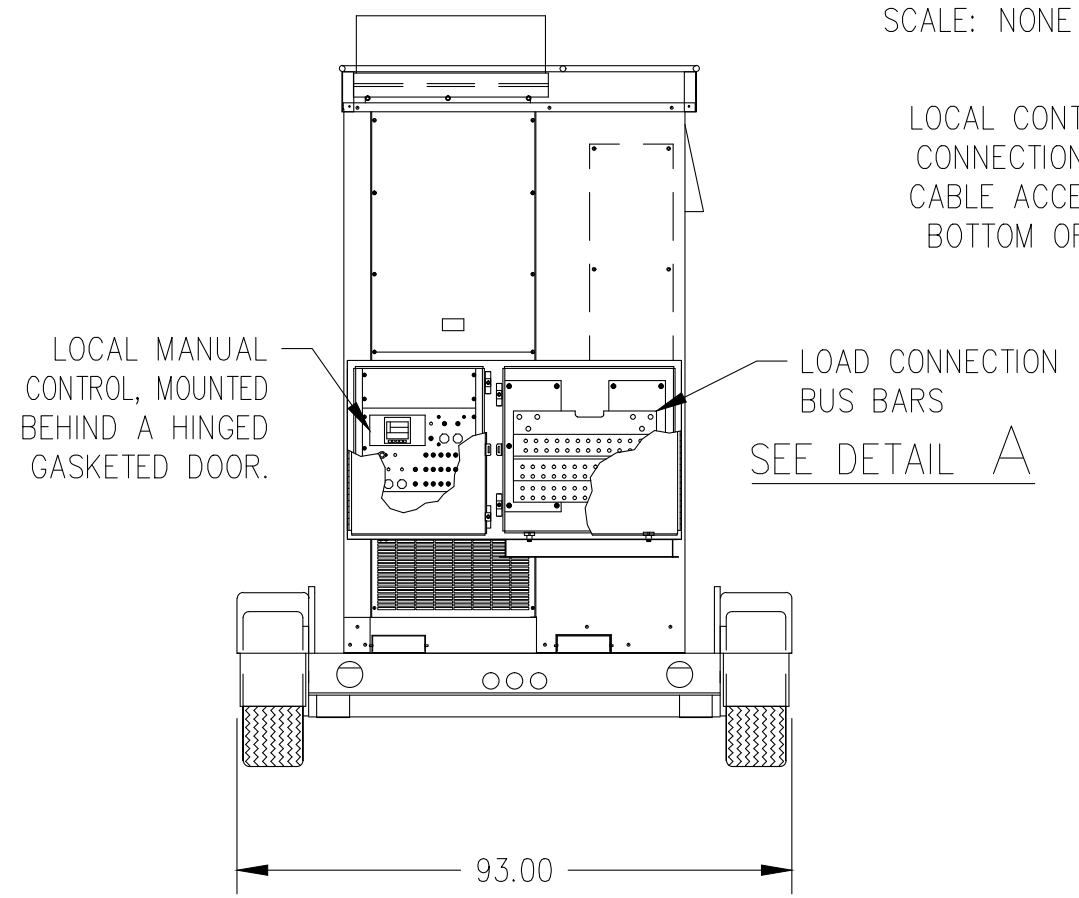


**DETAIL A**

LOAD CONNECTION BUS BAR  
TYP 3 PLACES (PH A, B & C)  
SCALE: NONE



- NOTES:
1. WEIGHT: 7,000 LBS. APPROX. AS SHOWN
  2. ALL DIMENSIONS ARE APPROX.
  3. ALL DIMENSIONS ARE IN INCHES.
  4. CABLE STORAGE REQUIRES TRAILER UPGRADE AND FRONT TONGUE MOUNTED EQUIPMENT.
  5. UNIT PROVIDED WITH TRAVEL AND STORAGE COVER (NOT SHOWN).



TRAILER MOUNT LOAD BANK  
GENERAL REFERENCE OUTLINE DRAWING  
**Model 5830**  
Rev A