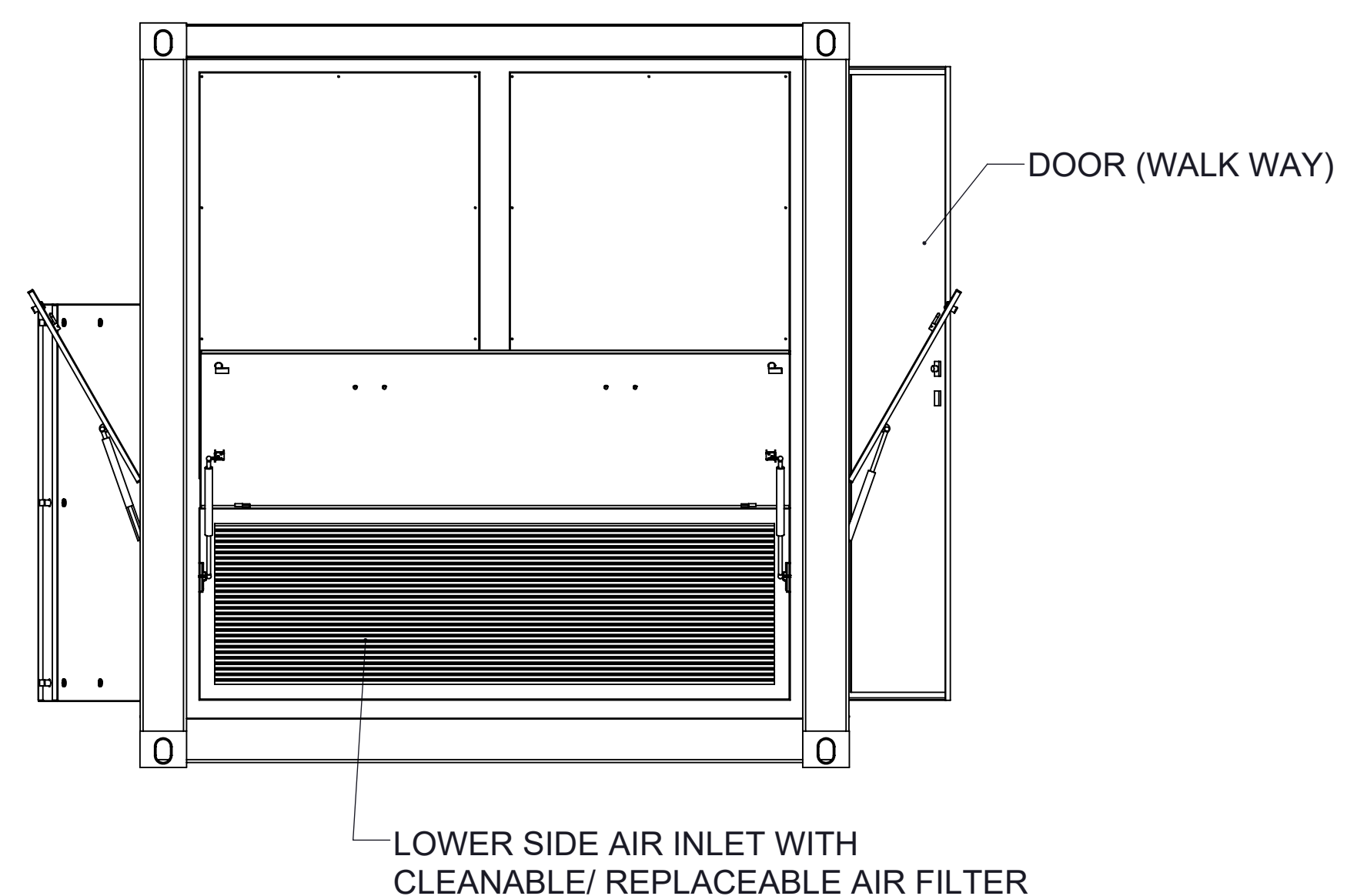
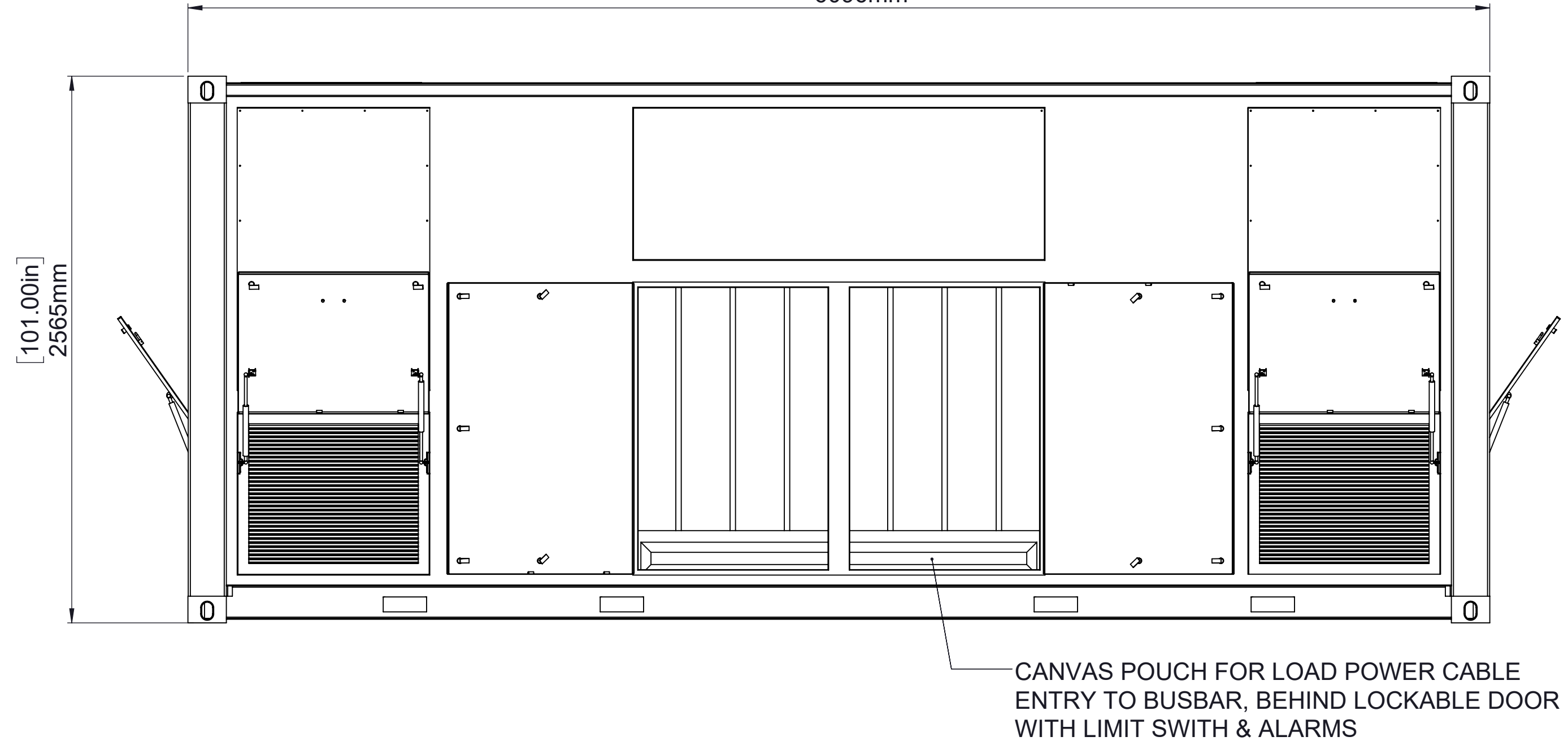


EP1 = RESISTIVE KW LOAD CONTROL ELECTRICAL PANEL.
 EP2 = REACTIVE KVAR LOAD CONTROL ELECTRICAL PANEL.
 EP3 = MAIN INPUT POWER CIRCUIT BREAKER & ELECTRICAL PANEL.
 EP4 = RESISTIVE KW LOAD CONTROL ELECTRICAL PANEL.
 LB1 TO LB4 = 1250 KW LOAD BANK EACH, 5000KW TOTAL, LOCATED 4 EACH CORNER.

NOTES :-

- 1) ISO STYLE CONTAINERIZED CONSTRUCTION, WEATHERPROOF.
- 2) (4) FORK POCKETS 12"x 4.5" WITH 80" BETWEEN THE CENTERS
- 3) INDUCTORS ARE MOUNTED NEAR CENTER AND BOTTOM LOCATIONS TO PROVIDE EXCELLENT WEIGHT DISTRIBUTION.
- 4) VERTICAL AIR DISCHARGE.
- 5) DOUBLE SKINNED DISCHARGE DUCT.
- 6) WALK-IN CONTROL ROOM FOR EASY ACCESS TO CONTROL SWITCHGEAR AND POWER CIRCUIT BREAKERS.
- 7) AIR INLET COVERS PROVIDE PROTECTION DURING TRANSPORT AND STORAGE.
- 8) POLYCARBONATE SCREENS IN CONTROL CABINET AND SWITCHGEAR ENCLOSURES PROTECT ALL LIVE PARTS FROM ACCIDENTAL CONTACT.
- 9) EXTENSIVE ELECTRICAL PROTECTION FOR EACH RESISTOR ELEMENT GROUP AND FAN MOTOR FROM OVER TEMPERATURE, LOSS OF AIR FLOW, PHASE REVERSAL ETC.
- 10) 6250kVA, 5000 kW, 3750 kVAR CAPACITY @ 480V, 3ph, 60Hz.
- 11) AUXILIARY CONTROL POWER - 480VAC, 60Hz, 3ph.
- 12) LOAD RESOLUTION - 1kW, 1 kVAR.
- 13) DUTY CYCLE - CONTINUOUS.
- 14) CONTAINER LENGTH - 20ft
- 15) CONTAINER WEIGHT - 39,830 lbs Max.



FINISH	MATERIAL	UNLESS OTHERWISE SPECIFIED DIMENSIONS ARE IN INCHES TOLERANCES:FRACTIONS ± 1/8 ANGLES ± 0° 30' 2 PLACE DECIMALS ± .03 3 PLACE DECIMALS ± .010	APPROVALS		DATE	
			DRAWN	JP	12-01-2017	
	ASSEMBLY		CHECKED	KP	12-01-2017	5000KW, 3750KVAR NOMINAL 6250 KVA CONTAINER LOAD BANK MODEL : RL6250-CR
CONFIDENTIAL/PROPRIETARY THIS DOCUMENT CONTAINS THE CONFIDENTIAL AND PROPRIETARY INFORMATION OF ULB. YOU MAY NOT POSSESS, USE, COPY OR DISCLOSE THIS DOCUMENT OR ANY INFORMATION IN IT FOR ANY PURPOSE WITHOUT EXPRESS WRITTEN PERMISSION. NEITHER RECEIPT, FROM ANY SOURCE, NOR POSSESSION OF THIS DOCUMENT, CONSTITUTES SUCH PERMISSION. POSSESSION, USE, COPYING OR DISCLOSURE BY ANYONE WITHOUT EXPRESS WRITTEN PERMISSION OF ULB IS NOT AUTHORIZED AND MAY RESULT IN CRIMINAL AND/OR CIVIL LIABILITY.			ENGR.			
			QUAL.			
			REL.			S.O : Q2263 DO NOT SCALE DRAWING
						SIZE: D CAGE CODE: - SCALE: - WEIGHT: N/A SHEET: 2 of 2

D REV: 12/01/2017 A303001-P0 C B A