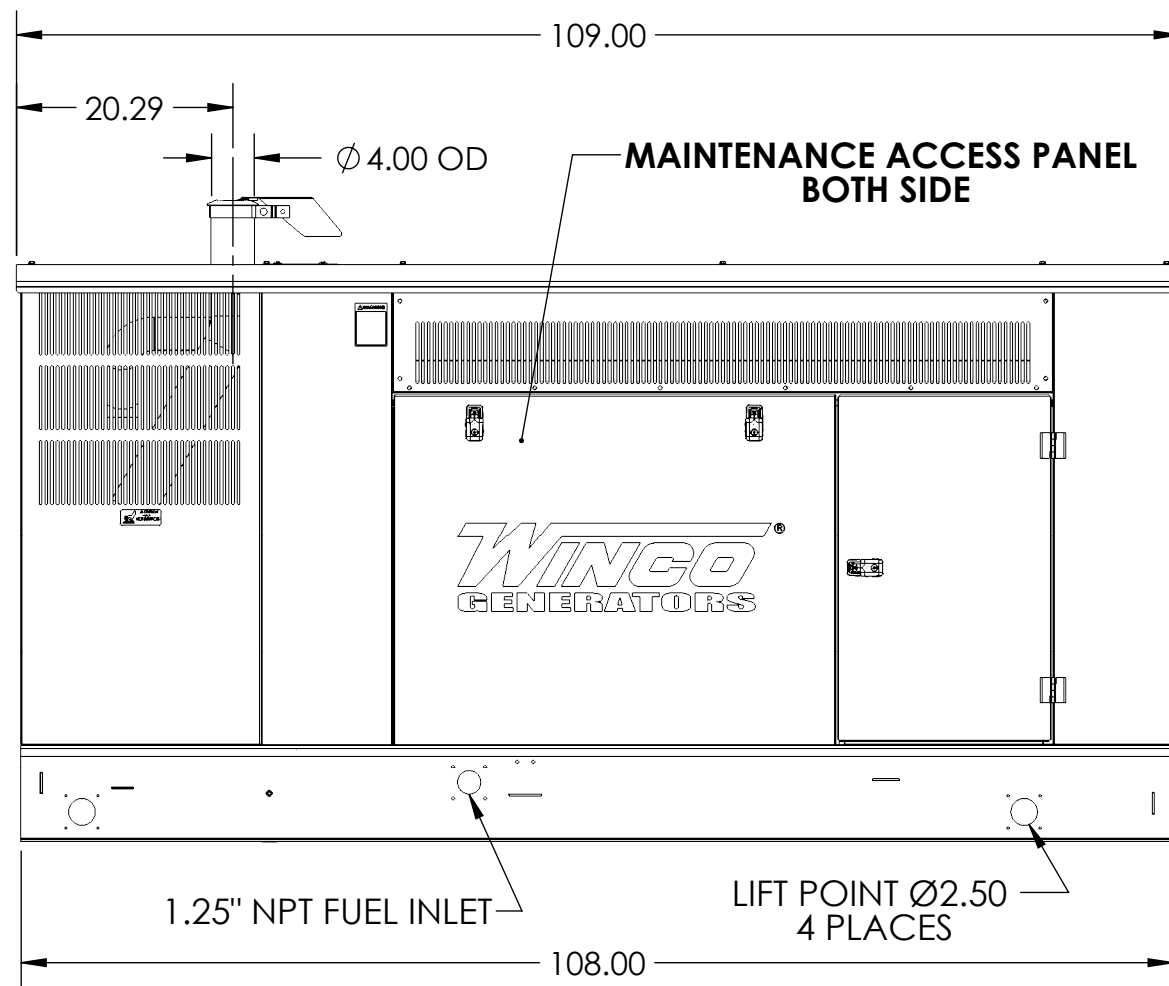
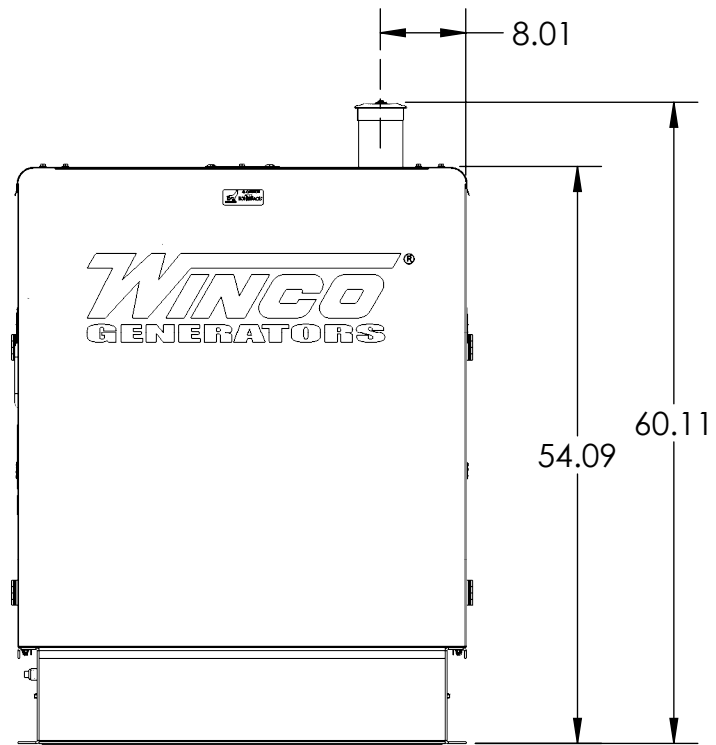


679-O

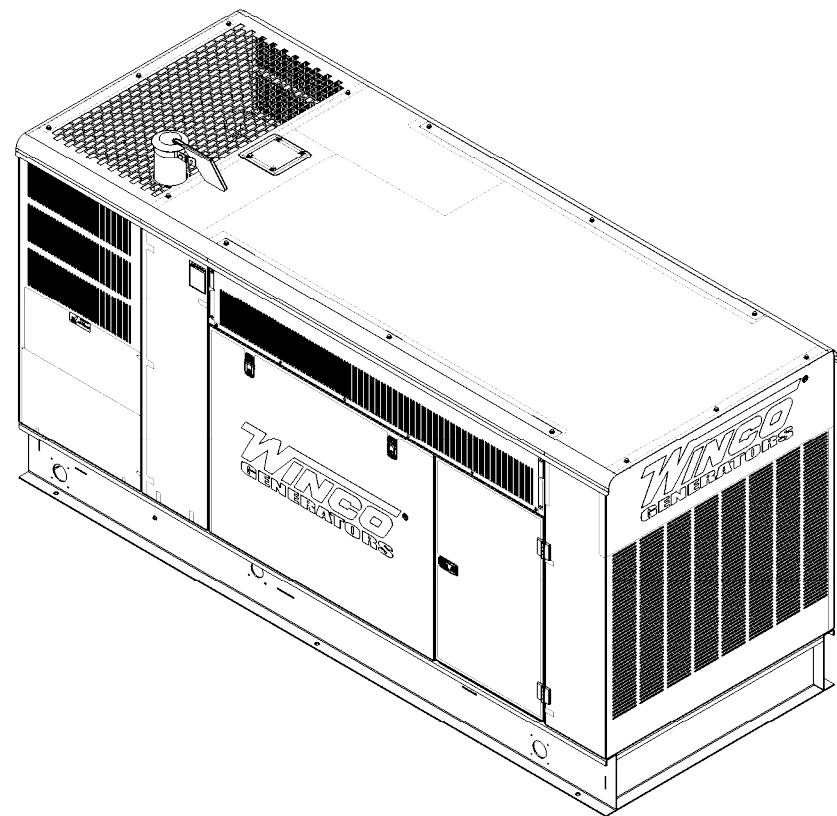
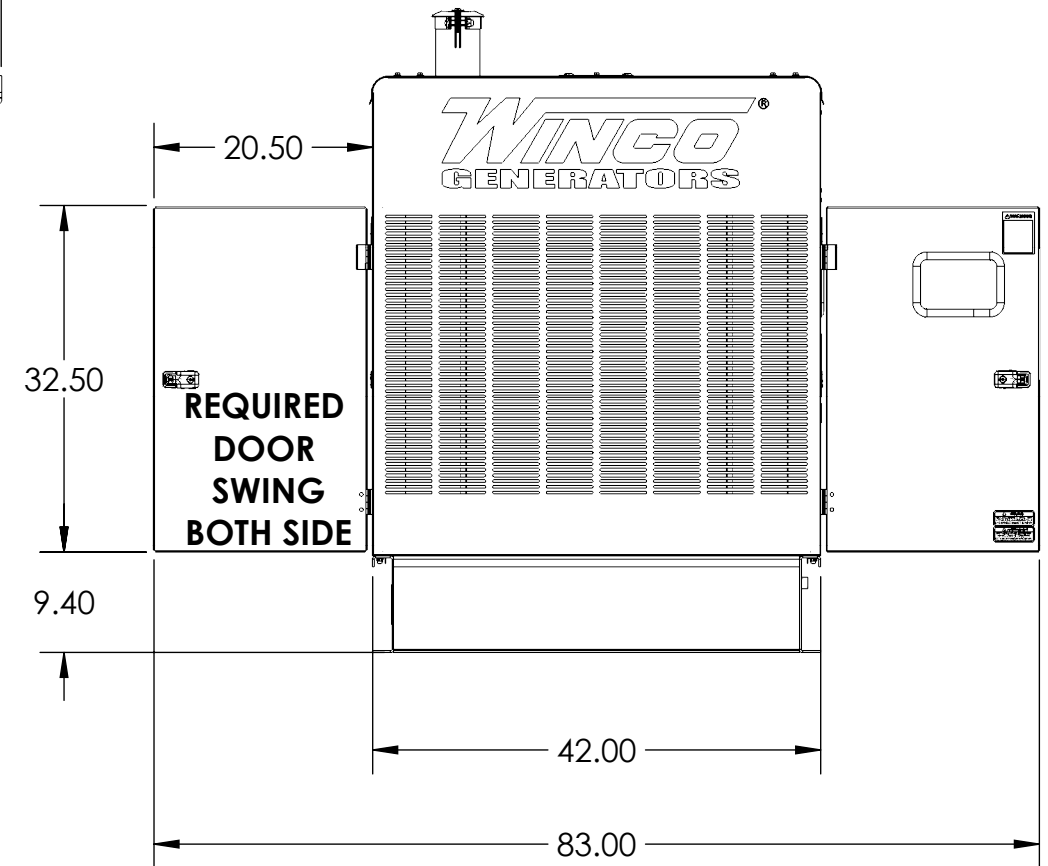
REVISIONS					
REV.	IRN	DESCRIPTION	DATE	BY	APP'D
A	PSS65	NEW RELEASE	11/2/2023	VP	DRC

LEFT SIDE

FRONT



REAR



THIS DRAWING CONTAINS PROPRIETARY INFORMATION BELONGING TO WINCO. UNAUTHORIZED USE IS PROHIBITED.	TOLERANCE:	+/- 0.0625 DECIMAL +/- 1 DEG ANGULAR	TITLE: OUTLINE DRAWING PSS65
	WEIGHT:	LBS	
	MODEL:	PSS65	PART: O-579

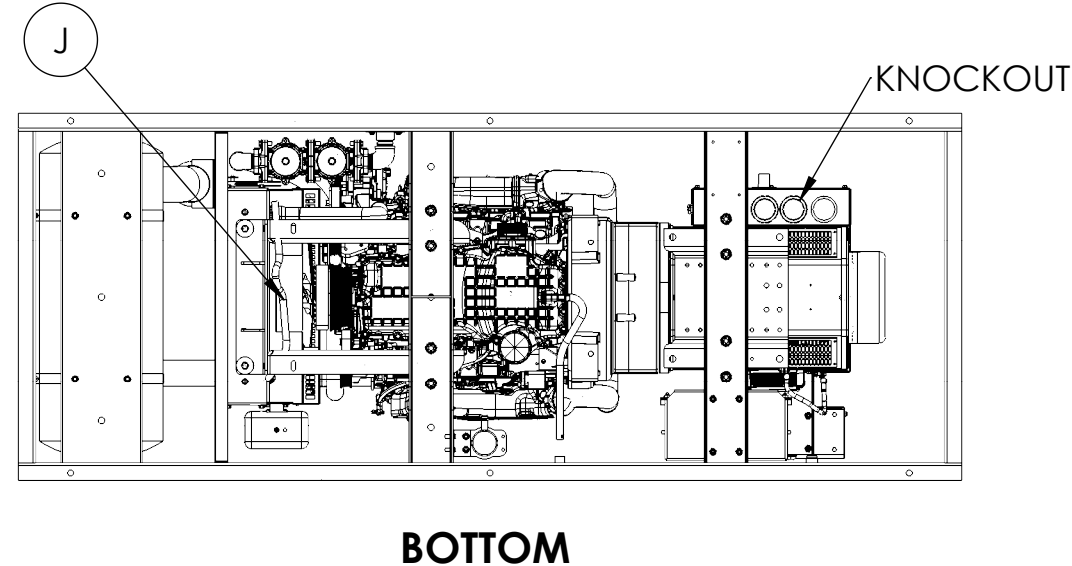
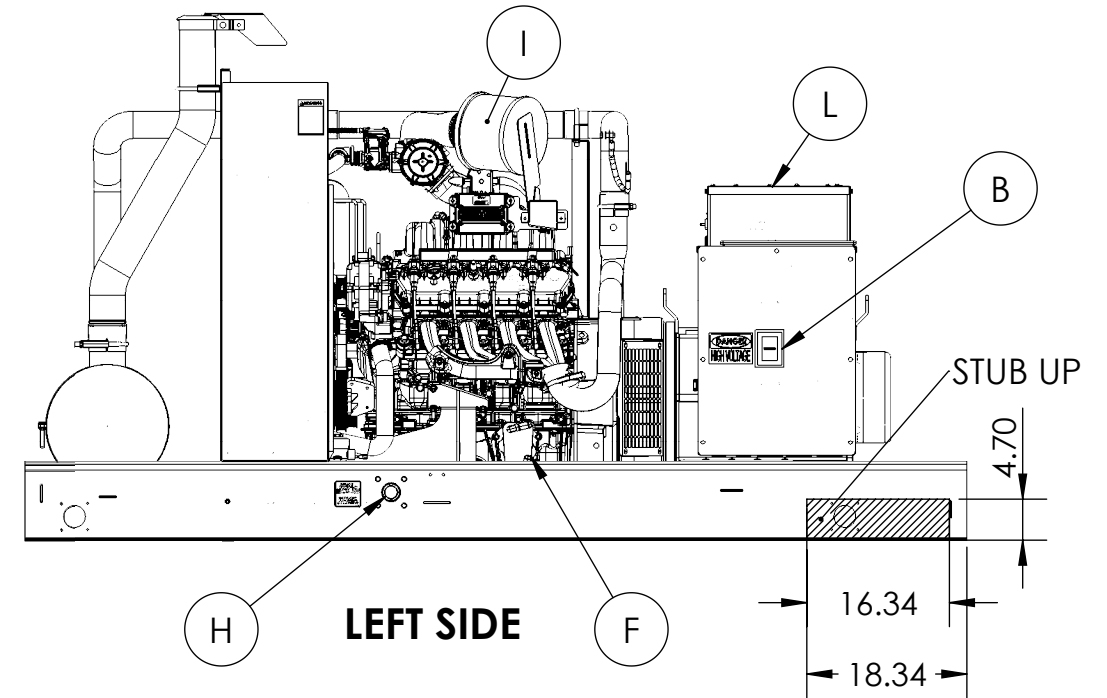
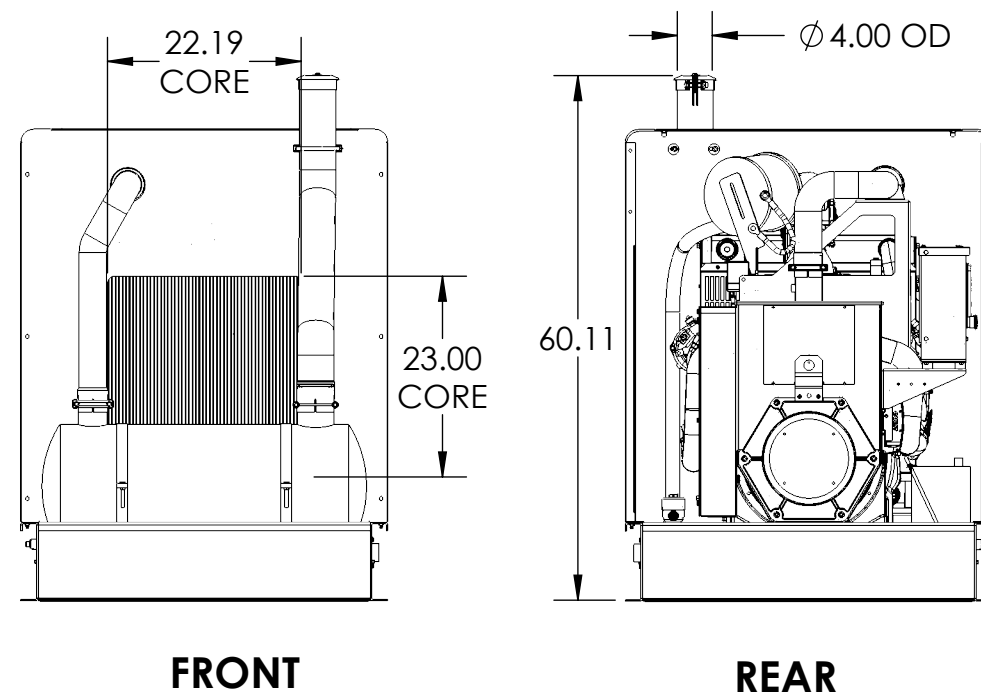
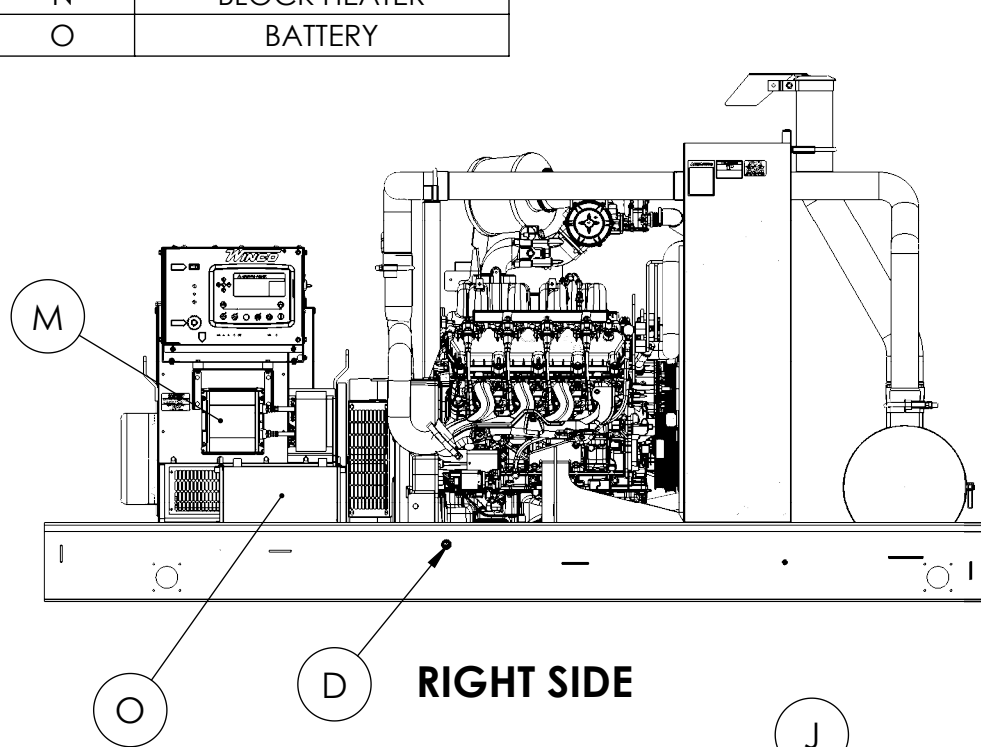
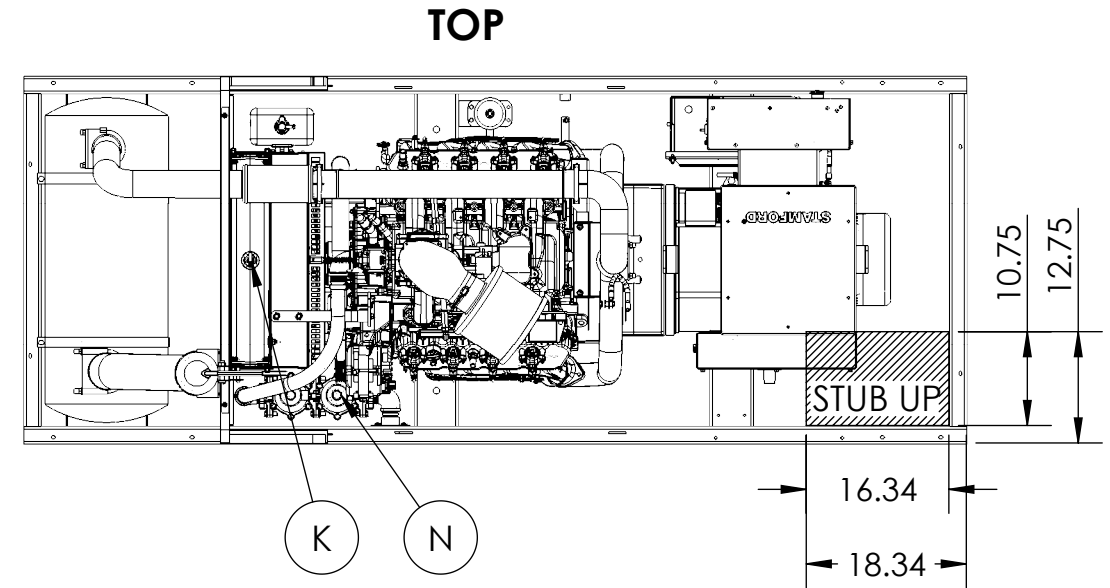


679-O

TOP VIEW HOLE PATTERN

REVISIONS					
REV.	IRN	DESCRIPTION	DATE	BY	APP'D
A	PSS65	NEW RELEASE	11/2/2023	VP	DRC

KEY COMPONENTS	
A	ENGINE CONTROL
B	MAIN LINE CIRCUIT BREAKER
C	OIL FILL
D	OIL DRAIN
E	OIL DIPSTICK
F	OIL FILTER
H	FUEL INLET
I	AIR FILTER
J	COOLANT DRAIN
K	COOLANT FILL
L	AVR
M	BATTERY CHARGER
N	BLOCK HEATER
O	BATTERY



THIS DRAWING CONTAINS PROPRIETARY INFORMATION BELONGING TO WINCO. UNAUTHORIZED USE IS PROHIBITED.	TOLERANCE: +/- 0.0625 DECIMAL	TITLE:
	WEIGHT: LBS	OUTLINE DRAWING
	MODEL: PSS65	PSS65
ALL DIMENSIONS INCH ALL WEIGHT POUNDS	WINCO ®	PART: O-579 2 of 2