



ASCO Power Technologies™

ASCO Quick Connect Products

ascopower.com

Life Is On

Schneider
Electric

CHALLENGES



Providing emergency power to facilities without a permanent generator



Providing a supplemental generator when a facility's sole permanent generator is offline



Connecting load banks and temporary generators simultaneously



Meet code requirements for back up power without installing and maintaining a permanent generator.

What do these challenges have in common?

All of them can be solved with and ASCO Quick Connect Product.

ASCO QUICK CONNECT SOLUTIONS

Power failures are common and unpredictable. They can occur at any time and for any reason — a bolt of lightning, a power surge, a blackout, an accident, or even equipment failure. They come without warning and often at the most inconvenient times. **When an outage occurs, your business suffers.**



This Dual Purpose Manual Transfer Switch allows quick connection of load bank and temporary generator.

ASCO's UL-Listed SERIES 300 Quick Connect products provide reliable, convenient, cost-effective solutions for connecting a temporary generator or load bank to keep facilities operating during utility outages. Available as a Quick Connect Panel that pairs with a transfer switch or as a Manual Transfer Switch with integrated quick connect inputs, these products can be configured in a variety of ways to meet business and facility needs.

Power Knowledge

Technical Brief
[NEC Requirement for Permanent Manual Switching Means](#)

Power Knowledge

Technical Brief
[Temporary Connections for Generators and Load Banks](#)

Power Knowledge

Video
[Manual Transfer Switch Solutions](#)

ASCO QUICK CONNECT APPLICATIONS

Healthcare



Healthcare facilities require reliable power. For those with a single permanent generator, the NEC® requires a means for connecting a temporary power source. ASCO Quick-Connect Products connect loads to a temporary power source when permanent generators are off-line.

Commercial



Power interruptions reduce revenues for retail, commercial, and industrial businesses. Outages interrupt shopping, disrupt operations, and create safety problems. Power interruptions result in lost transaction and account information, and damaged data equipment. Loss of refrigeration can ruin inventory. ASCO Quick-Connect Products provide cost-effective backup power switching solutions for businesses of every size.

Telecommunications



Telecoms must provide a high level of service dependability. Lost power could disrupt critical services to customers, businesses, and mission-critical facilities. ASCO Quick-Connect Products keep the power on and customers online.

Municipal



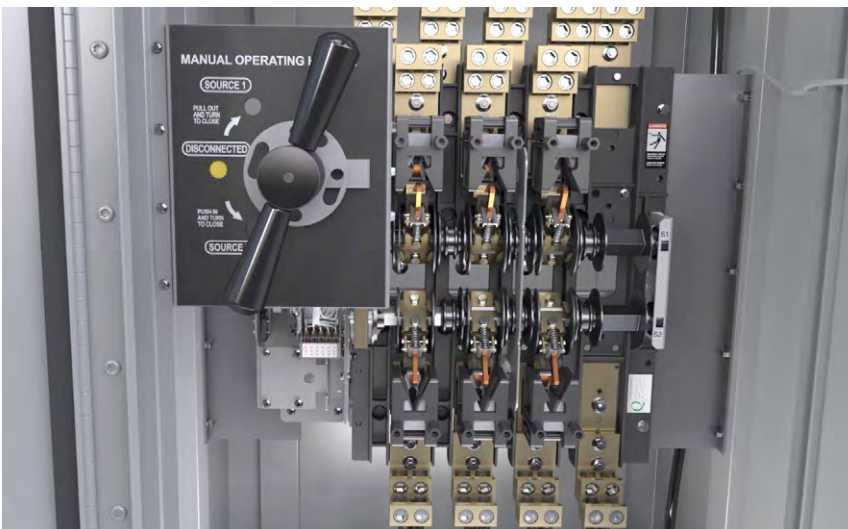
Communities rely on government agencies for critical emergency services. A power interruption can hinder emergency response. ASCO Quick-Connect Products connect backup power when critical services are needed most. They are a cost-effective backup solution for water and wastewater pump stations.

KEY PRODUCT FEATURES



Series 16 Cam Lok Connectors

Connect generators and/or load banks quickly and conveniently



Available Integrated Manual Transfer Switch

Simplifies procurement and installation

Saves space



Available Integrated Circuit Breakers

Pre-configured SquareD Circuit breakers protect load circuits from either generator, utility or both sources, simplifying installation.

CONFIGURATIONS AND OPTIONS

Quick Connect Panels

Single-Purpose

Models 3QCN & 3QCU

- Pair with a Transfer Switch
- 3QCN - Input Panels for Temporary Generator Connections
- 3QCU - Output Panels for Load Bank Connections
- Integrated Disconnect Breakers Available
- 150 – 4000 Amp models



Dual-Purpose

Model 3QCD

- Pair with a transfer switch
- Single device connects either a temporary generator or a load bank
- 150 – 4000 Amp models



CONFIGURATIONS AND OPTIONS

Manual Transfer Switches with Quick Connect Panels

Single-Purpose

Models MTQ/MUQ/MGQ/MPQ

- Consolidates Quick Connect functionality with a Three-Position Center-Off Transfer Switch
- Lockable in any switch position
- Base Configuration without integrated breaker MTQ
- Integrated Breakers Available
 - MUQ – Breaker on Utility
 - MGQ – Breaker on Generator
 - MPQ – Breaker on Both Power Sources
- 150 – 1200 Amps models



Dual-Purpose

Models MTDQ & MGDQ

- Simultaneously load bank your system while maintaining emergency back up power with a temporary generator.
- Provide emergency backup power with a temporary generator while applying load to a permanent generator.
- Dual Purpose models add quick connects for load bank connections.
- Integrated Breakers Available
 - MTDQ – Breaker on Utility - 150-1200 Amps
 - MGDQ – Breaker on Utility and Generator - 150 – 3000 Amps



AVAILABLE MODELS

| Model | Product Type | Connection | Circuit Breaker |
|--|---|---|---|
| Quick Connect Panels | | | |
| 3QCN | Single-Purpose | Input – Male Quick Connects | Optional Temporary Generator Disconnect |
| 3QCU | | Output – Female Quick Connects | Optional Temporary Load Bank Disconnect |
| 3QCD | Dual-Purpose | Male Input and Female Output Quick Connects | Temporary Generator Input (Up to 800 Amps only) |
| Manual Transfer Switches with Quick Connect Panel | | | |
| MTQ | Single-Purpose Quick Connects | Male Quick Connects | - |
| MUQ | | | Utility |
| MGQ | | | Generator |
| MPQ | | | Utility & Generator |
| MTDQ | Dual-Purpose for Generator & Load Bank Quick Connects | Male & Female Quick Connects | Utility |
| MGDQ | | | Utility & Generator |

Click Model Designation for additional information

ASCO Manual Transfer Switched with Quick Connects offer the Highest Level of Design Flexibility

A Simple Solution for Accessing Backup Power

Bring emergency power to facilities without a permanent genset

Connects a “Backup-for-the-Backup”

Per NEC® 700.3(F) connects a temporary generator when a permanent unit is offline for service

Streamlines Design, Procurement & Installation

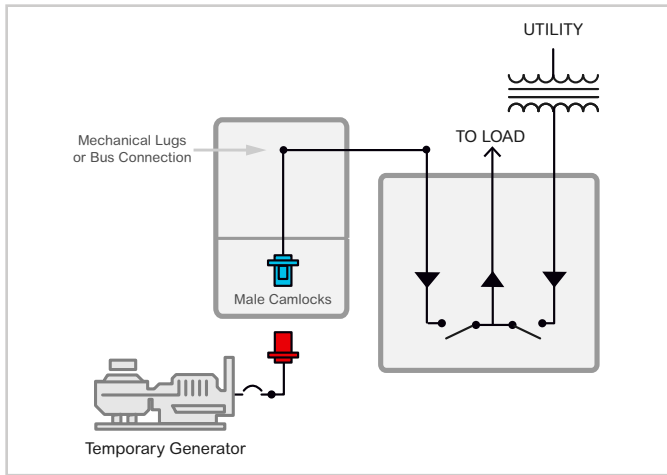
Integrating a transfer switch and breakers reduces overall footprint and installation labor.

Robust Design Increases Reliability

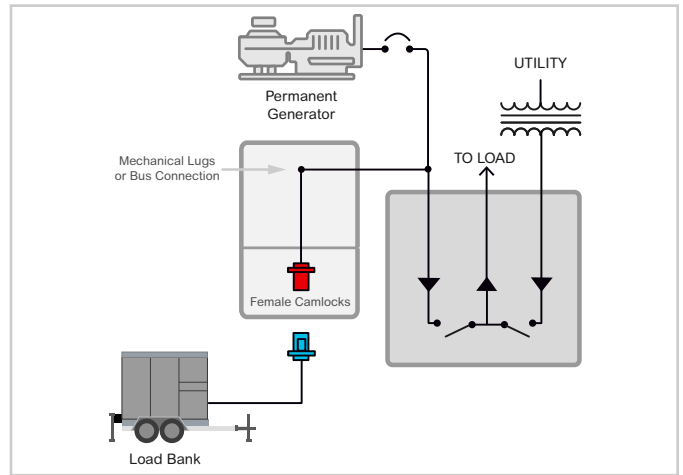
UL Listing and 125+ years of ASCO critical power experience provide high levels of safety and service.

ONE-LINE DIAGRAMS

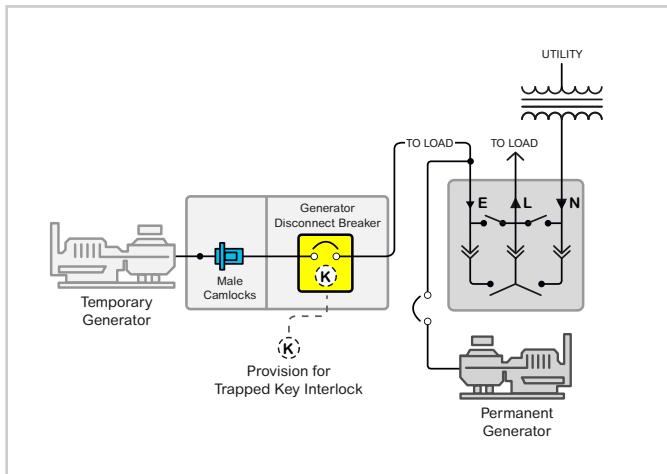
3QCN



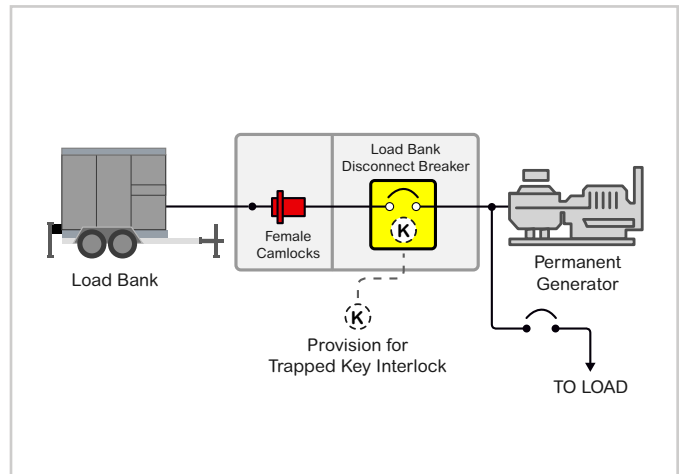
3QCU



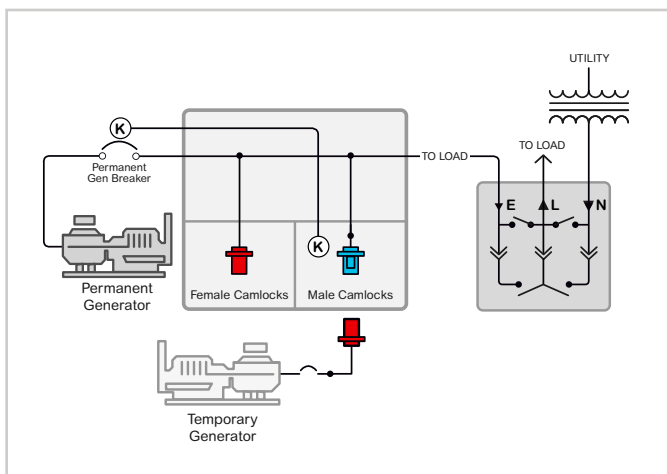
3QCN*B



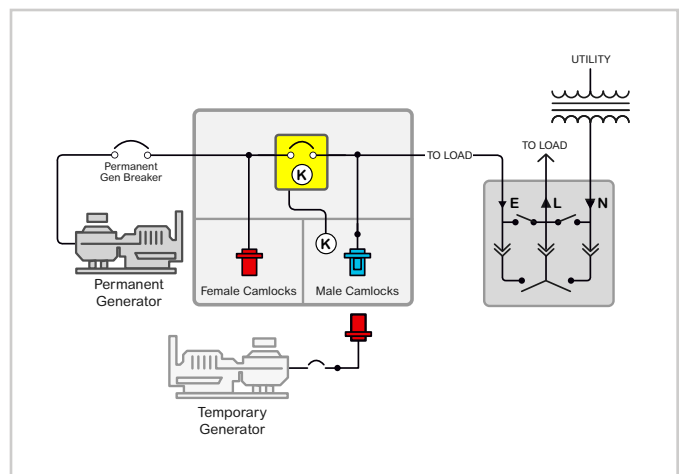
3QCU*B



3QCD

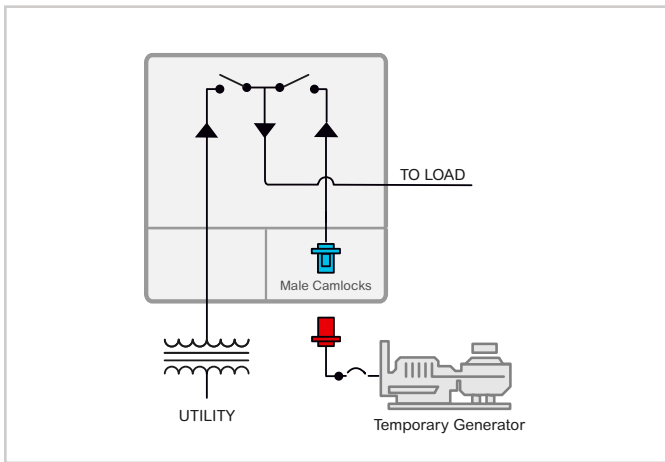


3QCD*B

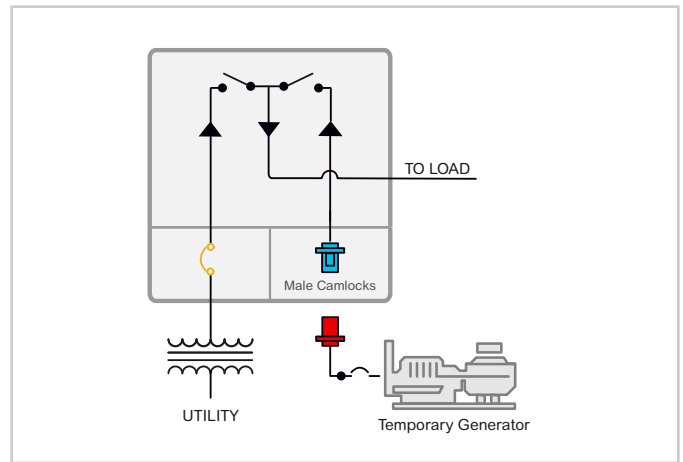


ONE-LINE DIAGRAMS

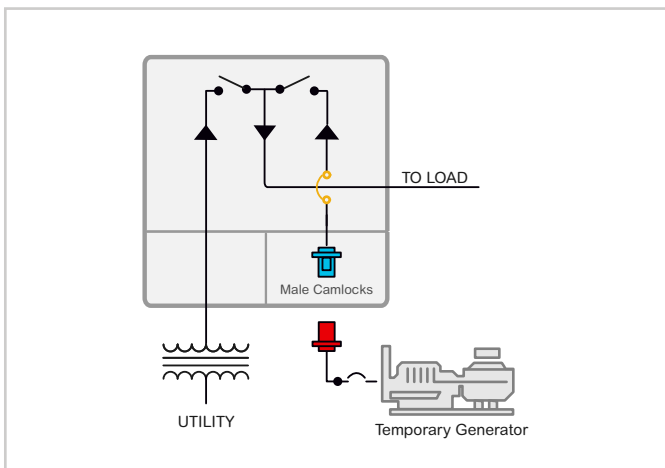
MTQ



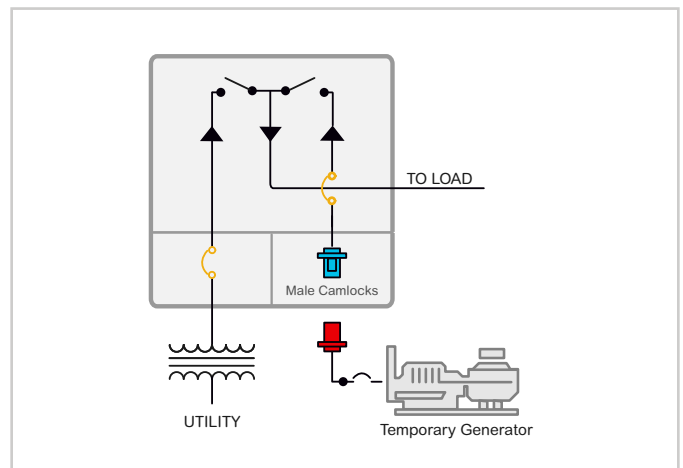
MUQ



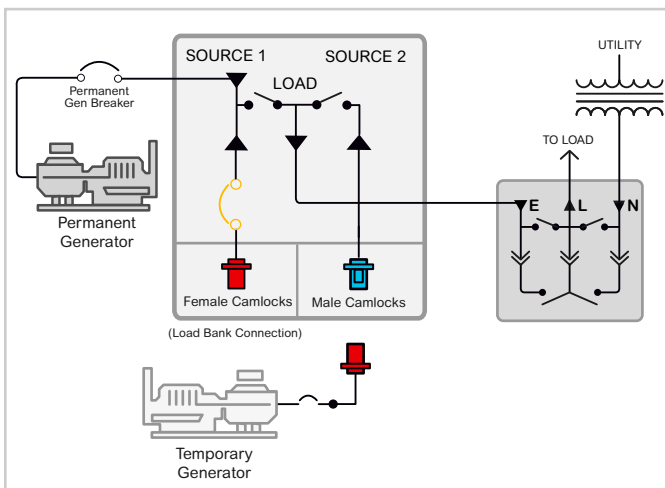
MGQ



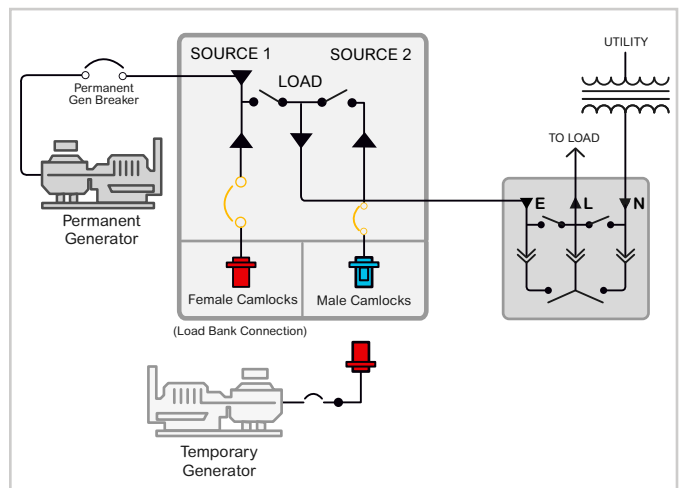
MPQ



MTDQ



MGDQ





ASCO Power Technologies - Global Headquarters
160 Park Avenue
Florham Park, NJ 07932
Tel: 800 800 ASCO

www.ascopower.com
customercare@ascopower.com