

ASCO SERIES 300 Manual Transfer Switches (MTS) with Integrated Quick-Connects enable fast connection of a temporary generator to provide backup power to a building's electrical system. Integrated breakers can be supplied on Normal (Service Entrance rated), Emergency (Generator breaker), or both sources (Service Entrance rated and generator breaker) to simplify power system design, procurement, and installation.



03MTQ Manual Transfer Switch with Quick Connects



03MGQ Manual Transfer Switch with Quick Connects and a Breaker for a Temporary Genset

**ASCO Manual Transfer Switches with Quick Connects  
Increase Design Flexibility**

**Simple Solution for  
Accessing Backup Power**

Bring emergency power to facilities without a permanent genset.

**Connects a "Backup-for-  
the-Backup"**

Per NEC® 700.3(F) connects a temporary generator when a permanent unit is offline for service

**Streamlines Design,  
Procurement & Installation**

Integrating a transfer switch and breakers reduces overall footprint and installation labor.

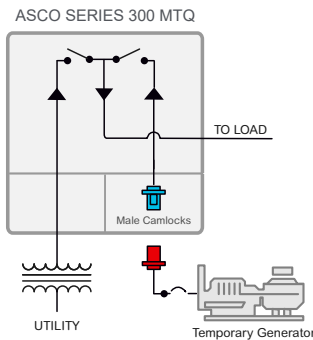
**Robust Design Increases  
Reliability**

UL Listings and 125+ years of ASCO critical power experience provide high levels of safety and service.

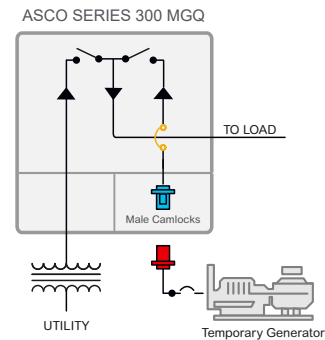
## Key Features

- Models from 150 to 3000 Amps, up to 480 VAC, single or 3-phase
- All models utilize 16-Series Camlock connectors
- All models feature UL1008-Listed Transfer Switches
- Configurations including a breaker on Source 1 (Utility Feed) are Service Entrance rated, (MUQ, MPQ)
- Standard UL50 Type 3R Secure Cabinet is outdoor rated with or without temporary power cables connected
- Optional 316 Stainless Steel UL50 Type 3RX Enclosure available
- Three-position center-off switch is robust and easy-to-use
- Leverages ASCO's years of experience and industry leading transfer switch technology
- Designed to handle the demands of motors and high current inrush loads
- Solid Neutral or Switched Neutral
- Solutions for compliance to NFPA 110 standards for Emergency and Standby Power Systems and 2020 NEC® Article 700.3 (F)
- Auxiliary contacts indicate switch position, two contacts for each source
- Form C contacts and optional LED indicators for switch position and source availability
- Two-Wire Engine Start Selector assigns generator preference
- Optional IO Module streamlines integration with a building management system

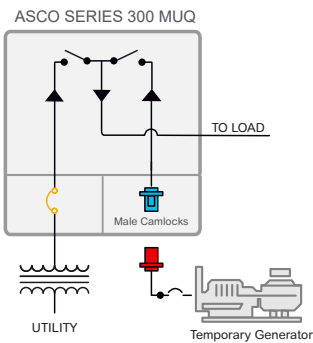
## One-Line Diagrams



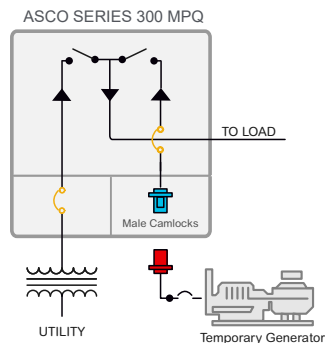
03MTQ - Manual Transfer Switch with Quick Connects



03MGQ - Adds a Breaker for a Temporary Genset



03MUQ - Adds a Service Entrance Breaker for a Utility Feed



03MPQ - Adds a Breaker for a Temporary Genset and a Service Entrance Breaker for a Utility Feed

## Catalog Information

J	03MTQ	A	3	0400	N	00	M
Frame	Product*	Neutral	Phase Poles	Amps	Voltage	Group Code	Enclosure
J 150 - 600A	<b>STANDARD MODELS</b>						
H 800 - 1200A	03MTQ	A - Solid	2	0150	C - 208	K - 415	M - Type 3R Secure
G 1600 - 3000A	03MGQ	B - Switched	3	0200	D - 220	L - 440	S - Type 3RX Secure (316 SS)
				0230	E - 230	M - 460	
				0260	F - 240	N - 480	
				0400	H - 380	P - 550	
				0600	J - 400	Q - 575	
				0800		R - 600	
				1000			
				1200			
				1600			
				2000			
				2500			
				3000			
	<b>SERVICE ENTRANCE MODELS</b>						
	03MUQ	A - Solid	2	0150	C - 208	K - 415	M - Type 3R Secure
	03MPQ	B - Switched	3	0200	D - 220	L - 440	S - Type 3RX Secure (316 SS)
				0230	E - 230	M - 460	
				0260	F - 240	N - 480	
				0400	H - 380	P - 550	
				0600	J - 400	Q - 575	
				0800		R - 600	
				1000			
				1200			
				1600			
				2000			
				2500			
				3000			

### Notes:

- MTQ: Manual Transfer Switch with Quick Connects on Generator
- MUQ: Manual Transfer Switch with Service Entrance Breaker On Utility and Quick Connects on Generator
- MGQ: Manual Transfer Switch with Breaker and Quick Connects on Generator
- MPQ: Manual Transfer Switch with Service Entrance Breaker On Utility and Breaker with Quick Connects on Generator
- G-frame is only available up to 480V

## Accessories

NUMBER	DESCRIPTION	MODEL
44A	Strip Heater with Thermostat. External 120V power source required.	MTQ, MUQ, MGQ, MPQ
44G	Strip Heater with Thermostat wired to load terminals	MTQ, MUQ, MGQ, MPQ
63*	Special Lugs	MTQ, MUQ, MGQ, MPQ
73	Surge Suppressor Rated 200kA	MTQ, MUQ, MGQ, MPQ
125A	Seismic-Rated Construction	MTQ, MUQ, MGQ, MPQ
131	Designation for Buy American Act Compliance, FAR 52.225-1 and FAR 52.225-9	MTQ, MUQ, MGQ, MPQ
132	Build America, Buy America Act Compliant: Pub. L. No. 117-58, section 70901-52	MTQ, MUQ, MGQ, MPQ
134	100% Rated Breaker	MUQ, MGQ, MPQ
135L	ASCO 5210 Digital Power Meter monitors the load source Voltage, Frequency, and Current calculates and displays Power, Energy, and Power Factor.	MTQ, MUQ, MGQ, MPQ
147QC	Canadian Connector Color Coding: Phase A-Red, Phase B-Black, Phase C-Blue	MTQ, MUQ, MGQ, MPQ
170	Auxiliary Contacts, LED Annunciators, and IO Module	MTQ, MUQ, MGQ, MPQ
40*Y	All Front-connected Design - 40MY: 1600A, 40NY: 2000A	MTQ, MUQ, MGQ, MPQ
<b>Shunt Trip Options on Breakers</b>		
119BC	24 VDC on Normal Breaker	MUQ, MPQ
119BE	48 VDC on Normal Source Breakers	MUQ, MPQ
119BG	120 VAC on Normal Source Breakers	MUQ, MPQ
119BH	208 VAC on Normal Breaker	MUQ, MPQ
119CC	24 VDC on Emergency Breaker	MGQ, MPQ
119CE	48 VDC on Emergency Breaker	MGQ, MPQ
119CG	120 VAC on Emergency Source Breakers	MGQ, MPQ

Note: \* J Frame 600A - No Optional Compression Lugs

## Features & Ordering Information

MTQ - Manual Transfer Switch with Quick Connects on Source 2						SYSTEM WCR Rating @ 480V	
Frame	Rating (Amps)	Standard Connection Type on Source 1 (S1) and Source 2 (S2)	Mounting	Dimensions	Internal Connection	Source 1 RMS SYM	Source 2 RMS SYM
J	150A-400A	S1 - Lugs S2 - Series 16 Single Pole Male Cam Loks Load - Lugs	Floor Mount	96" H x 37" W x 33" D	S1 - (1) #4 - 600 MCM OR (2) 1/0 - 250 MCM per Phase, Neutral, & Ground S2 - (1) Male Cam Lok per Phase, Neutral, & Ground Load - (1) #4 - 600 MCM OR (2) 1/0 - 250 MCM per Phase, Neutral, & Ground	42,000	22,000
	450A-600A	S1 - Lugs S2 - Series 16 Single Pole Male Cam Loks Load - Lugs	Floor Mount	96" H x 37" W x 33" D	S1 - (2) 1/0 - 600 MCM per Phase, Neutral, & Ground S2 - (2) Male Cam Lok per Phase, Neutral, & Ground Load - (2) 1/0 - 600 MCM per Phase, Neutral, & Ground	42,000	22,000
H	800A	S1 - Lugs S2 - Series 16 Single Pole Male Cam Loks Load - Lugs	Floor Mount	96" H x 37" W x 39" D	S1 - (4) 1/0 - 600 MCM per Phase, Neutral & Ground S2 - (2) Male Cam Lok per Phase, Neutral and (1) on Ground Load - (4) 1/0 - 600 MCM per Phase, Neutral, & Ground	50,000	22,000
	1000A-1200A	S1 - Lugs S2 - Series 16 Single Pole Male Cam Loks Load - Lugs	Floor Mount	96" H x 37" W x 39" D	S1 - (4) 1/0 - 600 MCM per Phase, Neutral, & Ground S2 - (3) Male Cam Lok per Phase, Neutral and (1) on Ground Load - (4) 1/0 - 600 MCM per Phase, Neutral, & Ground	50,000	22,000
G	1600A	S1 - Lugs S2 - Series 16 Single Pole Male Cam Loks Load - Lugs	Floor Mount	96" H x 80" W x 74" D <sup>1</sup>	S1 - (6) 1/0 - 600MCM per Phase, Neutral, & Ground S2 - (5) Male Cam Lok per Phase, Neutral and (1) on Ground Load - (6) 1/0 - 600MCM per Phase, Neutral & Ground	100,000 <sup>2</sup>	22,000
	2000A	S1 - Lugs S2 - Series 16 Single Pole Male Cam Loks Load - Lugs	Floor Mount	96" H x 80" W x 74" D <sup>1</sup>	S1 - (6) 1/0 - 600MCM per Phase, Neutral, & Ground S2 - (6) Male Cam Lok per Phase, Neutral and (2) on Ground Load - (6) 1/0 - 600MCM per Phase, Neutral & Ground	100,000 <sup>2</sup>	22,000
	2500A	S1 - Lugs S2 - Series 16 Single Pole Male Cam Loks Load - Lugs	Floor Mount	96"H x 80" W x 86" D	S1 - (8) 1/0 - 600MCM per Phase, Neutral, & Ground S2 - (7) Male Cam Lok per Phase, Neutral and (2) on Ground Load - (8) 1/0 - 600MCM per Phase, Neutral & Ground	100,000	22,000
	3000A	S1 - Lugs S2 - Series 16 Single Pole Male Cam Loks Load - Lugs	Floor Mount	96"H x 80" W x 86" D	S1 - (10) 1/0 - 600MCM per Phase, Neutral, & Ground S2 - (10) Male Cam Lok per Phase, Neutral and (2) on Ground Load - (10) 1/0 - 600MCM per Phase, Neutral & Ground	100,000	22,000

Note: <sup>1</sup> All front-connected 1600A – 2000A GMTQ units have dimensions 96"H x 77"W x 51"D

<sup>2</sup> Source 1 rating is limited to 85,000A for all front-connected units (with accessory 40\*Y)

MUQ - Manual Transfer Switch with Quick Connects on Source 2 plus Service Entrance Breaker on Source 1						SYSTEM WCR Rating @ 480V	
Frame	Rating (Amps)	Standard Connection Type on Source 1 (S1) and Source 2 (S2)	Mounting	Dimensions	Internal Connection	Source 1 RMS SYM	Source 2 RMS SYM
J	150A-400A	S1 - Lugs and Breaker S2 - Series 16 Single Pole Male Cam Loks Load - Lugs	Floor Mount	95.5" H x 41" W x 37" D	S1 - (1) #1 - 600 MCM OR (2) 1/0 - 250 MCM per Phase, Neutral, & Ground S2 - (1) Male Cam Lok per Phase, Neutral, & Ground Load - (1) #4 - 600 MCM OR (2) 1/0 - 250 MCM per Phase, Neutral, & Ground	35,000	22,000
	600A	S1 - Lugs and Breaker S2 - Series 16 Single Pole Male Cam Loks Load - Lugs	Floor Mount	96" H x 37" W x 33" D	S1 - (2) 2/0 - 500 MCM per Phase, Neutral, & Ground S2 - (2) Male Cam Lok per Phase, Neutral and (1) on Ground Load - (2) 1/0 - 600 MCM per Phase, Neutral, & Ground	50,000	22,000
H	800A	S1 - Lugs and Breaker S2 - Series 16 Single Pole Male Cam Loks Load - Lugs	Floor Mount	96" H x 37" W x 39" D	S1 - (3) 3/0 - 500 MCM per Phase, Neutral, & Ground S2 - (2) Male Cam Lok per Phase, Neutral and (1) on Ground Load - (3) 1/0 - 600 MCM per Phase, Neutral, & Ground	65,000	22,000
	1000A-1200A	S1 - Lugs and Breaker S2 - Series 16 Single Pole Male Cam Loks Load - Lugs	Floor Mount	96" H x 37" W x 56" D	S1 - (4) 1/0 - 600 MCM per Phase, Neutral, & Ground S2 - (3) Male Cam Lok per Phase, Neutral and (1) on Ground Load - (4) 1/0 - 600 MCM per Phase, Neutral, & Ground	50,000	22,000
G	1600A - 2000A	S1 - Lugs and Breaker S2 - Series 16 Single Pole Male Cam Loks Load - Lugs	Floor Mount	95.5" H x 80.25" W x 74" D	S1 - (6) 1/0 - 600MCM per Phase, Neutral & Ground S2 - (5) Male Cam Lok per Phase, Neutral, and (1) on Ground Load - (6) 1/0 - 600MCM per Phase, Neutral & Ground	85,000	22,000
	2500A	S1 - Lugs and Breaker S2 - Series 16 Single Pole Male Cam Loks Load - Lugs	Floor Mount	95.5" H x 80.25" W x 86" D	S1 - (8) 1/0 - 600MCM per Phase, Neutral & Ground S2 - (7) Male Cam Lok per Phase, Neutral, and (2) on Ground Load - (8) 1/0 - 600MCM per Phase, Neutral & Ground	100,000	22,000
	3000A	S1 - Lugs and Breaker S2 - Series 16 Single Pole Male Cam Loks Load - Lugs	Floor Mount	95.5" H x 80.25" W x 86" D	S1 - (10) 1/0 - 600MCM per Phase, Neutral & Ground S2 - (10) Male Cam Lok per Phase, Neutral, and (2) on Ground Load - (10) 1/0 - 600MCM per Phase, Neutral & Ground	100,000	22,000

## Features & Ordering Information

MGQ - Manual Transfer Switch with Quick Connects plus Breaker on Source 2						SYSTEM WCR Rating @ 480V	
Frame	Rating (Amps)	Standard Connection Type on Source 1 (S1) and Source 2 (S2)	Mounting	Dimensions	Internal Connection	Source 1 RMS SYM	Source 2 RMS SYM
J	150A-400A	S1 - Lugs S2 - Series 16 Single Pole Male Cam Loks and Breaker Load - Lugs	Floor Mount	95.5" H x 41" W x 37" D	S1 - (1) #4 - 600 MCM OR (2) 1/0 - 250 MCM per Phase, Neutral, & Ground S2 - (1) Male Cam Lok per Phase, Neutral, & Ground Load - (1) #4 - 600 MCM OR (2) 1/0 - 250 MCM per Phase, Neutral, & Ground	42,000	22,000
	600A	S1 - Lugs S2 - Series 16 Single Pole Male Cam Loks and Breaker Load - Lugs	Floor Mount	95.5" H x 41" W x 37" D	S1 - (2) 1/0 - 600 MCM per Phase, Neutral, & Ground S2 - (2) Male Cam Lok per Phase, Neutral and (1) on Ground Load - (2) 1/0 - 600 MCM per Phase, Neutral, & Ground	42,000	22,000
H	800A	S1 - Lugs S2 - Series 16 Single Pole Male Cam Loks and Breaker Load - Lugs	Floor Mount	95.5" H x 63" W x 45" D	S1 - (4) 1/0 - 600 MCM per Phase, Neutral, & Ground S2 - (2) Male Cam Lok per Phase, Neutral and (1) on Ground Load - (4) 1/0 - 600 MCM per Phase, Neutral, & Ground	50,000	22,000
	1000A-1200A	S1 - Lugs S2 - Series 16 Single Pole Male Cam Loks and Breaker Load - Lugs	Floor Mount	95.5" H x 63" W x 45" D	S1 - (4) 1/0 - 600 MCM per Phase, Neutral, & Ground S2 - (3) Male Cam Lok per Phase, Neutral and (1) on Ground Load - (4) 1/0 - 600 MCM per Phase, Neutral, & Ground	50,000	22,000
G	1600A	S1 - Lugs S2 - Series 16 Single Pole Male Cam Loks and Breaker Load - Lugs	Floor Mount	95.5" H x 77" W x 74" D	S1 - (6) 1/0 - 600 MCM per Phase, Neutral, & Ground S2 - (5) Male Cam Lok per Phase, Neutral and (1) on Ground Load - (6) 1/0 - 600 MCM per Phase, Neutral, & Ground	85,000	22,000
	1600A	S1 - Lugs S2 - Series 16 Single Pole Male Cam Loks and Breaker Load - Lugs	Floor Mount	95.5" H x 77" W x 74" D	S1 - (6) 1/0 - 600 MCM per Phase, Neutral, & Ground S2 - (6) Male Cam Lok per Phase, Neutral and (2) on Ground Load - (6) 1/0 - 600 MCM per Phase, Neutral, & Ground	85,000	22,000
	2500A	S1 - Lugs S2 - Series 16 Single Pole Male Cam Loks and Breaker Load - Lugs	Floor Mount	95.5" H x 77" W x 86" D	S1 - (8) 1/0 - 600 MCM per Phase, Neutral, & Ground S2 - (7) Male Cam Lok per Phase, Neutral and (2) on Ground Load - (8) 1/0 - 600 MCM per Phase, Neutral, & Ground	100,000	22,000
	3000A	S1 - Lugs S2 - Series 16 Single Pole Male Cam Loks and Breaker Load - Lugs	Floor Mount	95.5" H x 77" W x 86" D	S1 - (10) 1/0 - 600 MCM per Phase, Neutral, & Ground S2 - (10) Male Cam Lok per Phase, Neutral and (2) on Ground Load - (10) 1/0 - 600 MCM per Phase, Neutral, & Ground	100,000	22,000

Note: H Frame MGQ's are provided with accessory 40\*B (Source 1 & 2 Reversed) & 40\*K (Load Out Bottom).

MPQ - Manual Transfer Switch with Quick Connects plus Breaker on Source 2 and a Service Entrance Breaker on Source 1						SYSTEM WCR Rating @ 480V	
Frame	Rating (Amps)	Standard Connection Type on Source 1 (S1) and Source 2 (S2)	Mounting	Dimensions	Internal Connection	Source 1 RMS SYM	Source 2 RMS SYM
J	150A-400A	S1 - Lugs and Breaker S2 - Series 16 Single Pole Male Cam Loks and Breaker Load - Lugs	Floor Mount	95.5" H x 41" W x 37" D	S1 - (1) #1 - 600 MCM OR (2) 1/0 - 250 MCM per Phase, Neutral, & Ground S2 - (1) Male Cam Lok per Phase, Neutral, & Ground Load - (1) #4 - 600 MCM OR (2) 1/0 - 250 MCM per Phase, Neutral, & Ground	35,000	22,000
	600A	S1 - Lugs and Breaker S2 - Series 16 Single Pole Male Cam Loks and Breaker Load - Lugs	Floor Mount	95.5" H x 41" W x 37" D	S1 - (2) 3/0 - 500 MCM per Phase, Neutral, & Ground S2 - (2) Male Cam Lok per Phase, Neutral and (1) on Ground Load - (2) 1/0 - 600 MCM per Phase, Neutral, & Ground	50,000	22,000
H	800A	S1 - Lugs and Breaker S2 - Series 16 Single Pole Male Cam Loks and Breaker Load - Lugs	Floor Mount	95.5" H x 63" W x 56" D	S1 - (4) 1/0 - 600 MCM per Phase, Neutral, & Ground S2 - (2) Male Cam Lok per Phase, Neutral and (1) on Ground Load - (4) 1/0 - 600 MCM per Phase, Neutral, & Ground	50,000	22,000
	1000A-1200A	S1 - Lugs and Breaker S2 - Series 16 Single Pole Male Cam Loks and Breaker Load - Lugs	Floor Mount	95.5" H x 63" W x 56" D	S1 - (4) 1/0 - 600 MCM per Phase, Neutral, & Ground S2 - (3) Male Cam Lok per Phase, Neutral and (1) on Ground Load - (4) 1/0 - 600 MCM per Phase, Neutral, & Ground	50,000	22,000
G	1600A	S1 - Lugs and Breaker S2 - Series 16 Single Pole Male Cam Loks and Breaker Load - Lugs	Floor Mount	95.5" H x 77" W x 74" D	S1 - (6) 1/0 - 600 MCM per Phase, Neutral, & Ground S2 - (5) Male Cam Lok per Phase, Neutral and (1) on Ground Load - (6) 1/0 - 600 MCM per Phase, Neutral, & Ground	85,000	22,000
	1600A	S1 - Lugs and Breaker S2 - Series 16 Single Pole Male Cam Loks and Breaker Load - Lugs	Floor Mount	95.5" H x 77" W x 74" D	S1 - (6) 1/0 - 600 MCM per Phase, Neutral, & Ground S2 - (6) Male Cam Lok per Phase, Neutral and (2) on Ground Load - (6) 1/0 - 600 MCM per Phase, Neutral, & Ground	85,000	22,000
	2500A	S1 - Lugs and Breaker S2 - Series 16 Single Pole Male Cam Loks and Breaker Load - Lugs	Floor Mount	95.5" H x 77" W x 86" D	S1 - (8) 1/0 - 600 MCM per Phase, Neutral, & Ground S2 - (7) Male Cam Lok per Phase, Neutral and (2) on Ground Load - (8) 1/0 - 600 MCM per Phase, Neutral, & Ground	100,000	22,000
	3000A	S1 - Lugs and Breaker S2 - Series 16 Single Pole Male Cam Loks and Breaker Load - Lugs	Floor Mount	95.5" H x 77" W x 86" D	S1 - (10) 1/0 - 600 MCM per Phase, Neutral, & Ground S2 - (10) Male Cam Lok per Phase, Neutral and (2) on Ground Load - (10) 1/0 - 600 MCM per Phase, Neutral, & Ground	100,000	22,000

Note: H Frame MPQ's are provided with accessory 40\*B (Source 1 & 2 Reversed).