

Power failures are common and unpredictable. They can occur at any time and for any reason — a bolt of lightning, a power surge, a blackout, an accident, or even equipment failure. They come without warning and often at the most inconvenient times. When an outage occurs, your business suffers.



400-800A Wall Mount



1200-1600A Floor Mount



2000-4000A Pad Mount

ASCO's SERIES 300 Quick Connect Power Panels provide a convenient and economical way to connect a temporary generator to support your critical infrastructure and keep your business operating. These units are available in models ranging from 400 to 4000 Amps, and are designed to provide years of service. The panels are listed to UL 1008 and, together with an ASCO transfer switch, provides compliance to the NEC 700.3(F) requirement to provide a connection for a temporary source of power for maintenance or repair of the alternate source.

When installed with an ASCO power transfer switch, you can be assured that your facility is protected by an economical solution that will supply temporary power during a utility outage or maintenance work.

Features

- Input Panels are UL 1008 Listed (400A-800A) and ETL listed to UL 1008 standards as a Transfer Switch Accessory (1200A-4000A)
- Output Panels are UL 891 Listed (400A-800A) and ETL listed to UL 891 standards for Switchboards (1200A-4000A)
- Provides a convenient and Series 16 economical means of connecting an emergency or alternate power source to a transfer switch
- Rated up to 600V
- Available from 400A to 4000A
- Standard Type 3R weather resistant construction with or without cables connected
- Available in stainless steel enclosure option for corrosive environments
- Wall-mounted aluminum enclosure up to 800A; Floor mounted steel enclosure 1200A-1600A; Pad mounted aluminum enclosure 2000A-4000A
- Utilizes standard camlock receptacle for quick connections
- Cable Protect lock plate available (up to 800A) to reduce risk of cable tampering and theft
- Door over dead front panel ensures all electrical parts are covered for added protection (up to 800A)
- Phase rotation monitor, 2 wire auto start and provisions for trap key interlock are standard on 2000A-4000A Pad mount Enclosures
- Lockable doors to prevent unauthorized entry
- Flip Covers for Output Panels

ASCO SERIES 300 Quick Connect Power Panel



400-800A Wall Mount



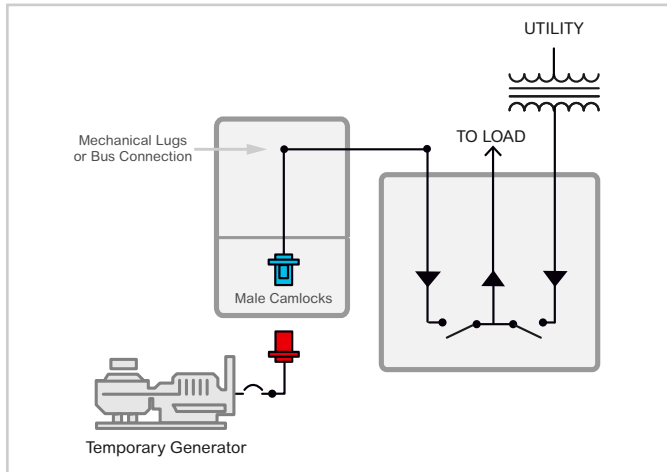
1200-1600A Floor Mount



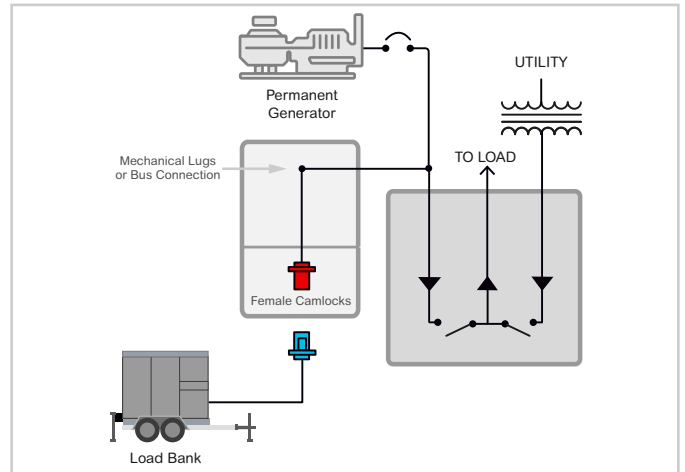
2000-4000A Pad Mount

RATING	STANDARD CONNECTION TYPE	MOUNTING	DIMENSIONS	SHIPPING WEIGHT (lbs)	INTERNAL CONNECTION
400A	Camlock (1 row)	Wall Mount	24"w x 32"h x 11"d	85	Dual 2 AWG - 600 MCM Lugs
800A	Camlock (2 rows)	Wall Mount	24"w x 32"h x 11"d	95	Dual 2 AWG - 600 MCM Lugs
1200A	Camlock (3 rows)	Floor Mount	35"w x 56"h x 28"d	475	Copper Bus with 1/2" holes
1600A	Camlock (4 rows)	Floor Mount	35"w x 56"h x 28"d	495	Copper Bus with 1/2" holes
2000A	Camlock (5 - 9 rows)	Pad Mount	31"w x 39"h x 50"d	205	Single 2 AWG - 600 MCM Lugs
2400A - 4000A	Camlock (6 - 10 rows)	Pad Mount	48"w x 39"h x 50"d	Varies based on Amperage	Single 2 AWG - 600 MCM Lugs

3QCN



3QCU



Catalog Information

3QC	+	NC	+	A	+	A	+	3	+	0400	+	F	+	0X	+	F
SERIES		Input/ Output		Ground ²		Neutral		Poles/ Phase ³		Amps		Volts/Color Code		Accessories		Enclosure
SERIES 300 Quick Connect Panel		NC - Input (Generator) - Male Camlock UC - Output (Load Bank) - Female Camlock		A - 100% N - minimum of 25% grounding ampacity		0 - none A - 100% Rated Neutral		2 or 3		0400 0800 1200 1600 2000 ¹ 2400 ¹ 2800 ¹ 3200 ¹ 4000 ¹		F ≤ 240V Black, Red, Blue N ≤ 480V Brown, Orange, Yellow R ≤ 600V Black, Black, Black		0 - None X - With Accessory		F - Type 3R S - 316 Stainless Steel Type 3R

Notes:

1. Provisions for Trap Key interlock, Phase rotation monitor, 2-wire auto start and Tamper Resistant door are standard features available on 2000A-4000A Pad Mount Quick Connect Panels.
2. 100% Rated Ground standard on 400A-1600A units. Minimum of 25% rated ground on 2000A and above.
3. 2 pole only available for 240V up to 1600A.

Accessories

NUMBER	DESCRIPTION	APPLICATION
33QC	Provides 100% bussing and lugs on the permanent side ground only 25% ground camlocks on input side	2000 - 4000A
40QC	C Enclosure design for bottom feed cabling	1200 - 1600A
147QC	Canadian Connector Color Coding: Phase A- Red, Phase B- Black, Phase C- Blue	All
171QC	Phase Rotation Monitor & Fuses, Banana Terminal Post for 2 Wire Auto Start Cables, Provisions for Trap Key Interlock C Enclosure Design for bottom feed cabling (1200 - 1600A only)	400 - 1600A Standard on 2000 - 4000A