

Provide both supplementary backup power or load testing connectivity through a single device with an integrated breaker to prevent overloading.

**150 - 800A Wall-Mount**

Front view



Back view

1000 - 4000A Pad/Floor-Mount

ASCO's SERIES 300 Quick Connect Power Panel with Integrated Breakers provide a convenient and economical way to connect a temporary generator to critical infrastructure to keep facilities operating. They provide a means of connecting a "backup-for-the-backup" according to NEC 700.3(F) requirements. They can also be supplied to connect a Load Bank for periodic generator testing as an output panel. Models range from 150 to 4000 Amps and are designed to provide years of service.

Features

- Provides a convenient means of connecting an alternate power source or a load bank
- Integrated breakers disconnect excessive loads from a generator or load bank
- Listed to UL 891
- Rated up to 600V
- Wall-mount models to 800A
- Pad/Floor-mount models from 1000 - 4000A
- Lockable doors enhance physical security
- Utilizes camlocks with flip covers
- Provisions for Trapped Key Interlocks
- Phase Rotation Monitor with Fuses standard on Input Panels
- Engine Start contacts provided on Input Panels - Load Dump contacts provided on Output Panels
- UL 50 Type 3R Steel Enclosure maintains outdoor rating with or without cables connected
- Available 316 Stainless Steel Enclosure for corrosive environments
- Together with an Manual Transfer Switch and temporary generator, meets NEC Article 700.3(F) requirements

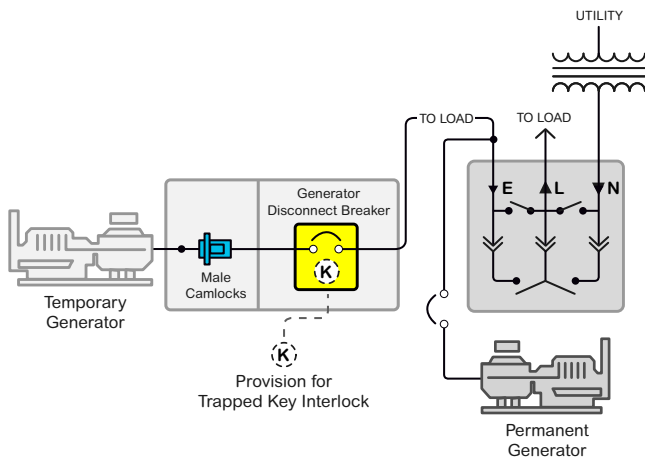
ASCO SERIES 300 Quick Connect Power Panel with Integrated Breaker



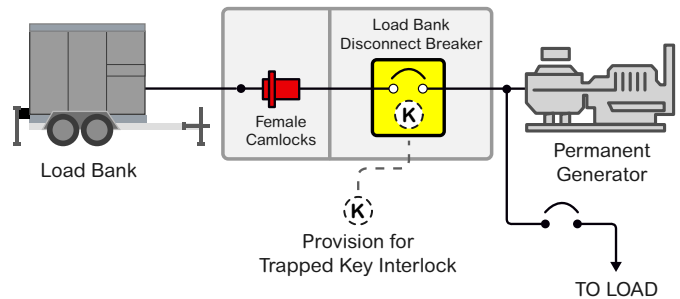
150 - 800A Wall-Mount



1000 - 4000A Pad/Floor-Mount



3QCN Input Panel



3QCU Output Panel

Features and Ordering Information

RATING	CONNECTION TYPE	MOUNTING	DIMENSIONS	INTERNAL CONNECTIONS
150-400A	Series 16 Camlock (1 row)	Wall-Mount	48" H x 33" W x 23" D	(1) #1-600MCM or (2) 1/0-250MCM on Phases/Neutral (1) #4-600MCM or (2) 1/0-250 MCM on Ground
600-800A	Series 16 Camlock (2 row)	Wall-Mount	48" H x 33" W x 23" D	(3) 3/0 AWG - 500MCM on Phases/Neutral (3) #4-600MCM or (6) 1/0-250MCM on Ground
1000-1200A	Series 16 Camlock (3 rows on Phases/Neutral 2 rows on Ground)	Pad/Floor-Mount	77.5" H x 31" W x 43" D	(4) 1/0 AWG-600MCM Phase/Neutral/Ground
1600A	Series 16 Camlock (4 rows on Phases/Neutral 2 rows on Ground)	Pad/Floor-Mount	96" H x 37" W x 50" D	(6) 1/0 AWG-600MCM Phase/Neutral/Ground
2000A	Series 16 Camlock (5 rows on Phases/Neutral 2 rows on Ground)	Pad/Floor-Mount	96" H x 37" W x 50" D	(6) 1/0 AWG-600MCM Phase/Neutral/Ground
2500A	Series 16 Camlock (7 rows on Phases/Neutral 2 rows on Ground)	Pad/Floor-Mount	96" H x 37" W x 56" D	(8) 1/0 AWG-600MCM Phase/Neutral/Ground
3000A	Series 16 Camlock (8 rows on Phases/Neutral 2 rows on Ground)	Pad/Floor-Mount	96" H x 37" W x 56" D	(10) 1/0 AWG-600MCM Phase/Neutral/Ground
4000A	Series 16 Camlock (12 rows on Phases/Neutral 3 rows on Ground)	Pad/Floor-Mount	96" H x 41" W x 74" D	(12) 1/0 AWG-600MCM Phase/Neutral/Ground

Catalog Information

3QC	+	NC	+	N	+	A	+	3	+	1600	+	N	+	B	+	X	+	M
SERIES		Connection		Ground		Neutral ¹		Poles		Amps		Voltage		Breaker ²		Accessories		Enclosure
SERIES 300 Quick Connect Panel		NC - Input (Generator) - Male Cam Loks UC - Output (Load Bank) - Female Cam Loks		N - As per NEC		0 - None A - 100%		2 3		150 200 250 400 800 1000 1200 1600 2000 2500 3000 4000		F - <=240V N - 277-480V R - 500-600V		B		0 - None X - With Accessory		M - Type 3R Secure S - Type 3RX Secure - Stainless Steel (316)

Notes:

1. Neutral is unnecessary and not provided for load bank panels.
2. 80% rated breakers standard 150 to 2000A. 100% rated breakers standard 2500 to 4000A.

Accessories

NUMBER	DESCRIPTION
44A	Strip heater with thermostat. External 120VAC power source required.
119M	Energy Reducing Maintenance Switch (ERMS). Available 1000 - 4000A.
119QC	Shunt Trip 24VDC
119QE	Shunt Trip 48VDC
119QG	Shunt Trip 120VAC
134	100% Rated Breakers. Only applicable to 150 - 2000A; 100% Rated Breakers standard 2500 - 4000A
135L	ASCO Digital Power Meter
147QC	Canadian Connector Color Coding: Phase A - Red, Phase B - Black, Phase C - Blue