

POWERTRON®

CONTRACTOR SERIES

CONTRACTOR SERIES, UL LISTED, DOCKING STATION 100 – 800 AMP

Catalog Number	Rating	SCCR Rating	Technical Data	Enclosure Option	Dimensions
TBQCC(X)01-AWMS(XXX)	100	35kA RMS 600VAC Max	3 Phase, 5 Wire, 208Y/120 VAC, 240/120 VAC, 480Y/277 VAC, or 600/347 VAC	Wall mount, mild steel or stainless steel	30"H x 24"W x 12"D
TBQCC(X)01-AWSS(XXX)					
TBQCC(X)02-AWMS(XXX)	200				
TBQCC(X)02-AWSS(XXX)					
TBQCC(X)04-AWMS(XXX)	400				
TBQCC(X)04-AWSS(XXX)					
TBQCC(X)06-AWMS(XXX)	600				
TBQCC(X)06-AWSS(XXX)					
TBQCC(X)08-AWMS(XXX)	800				
TBQCC(X)08-AWSS(XXX)					

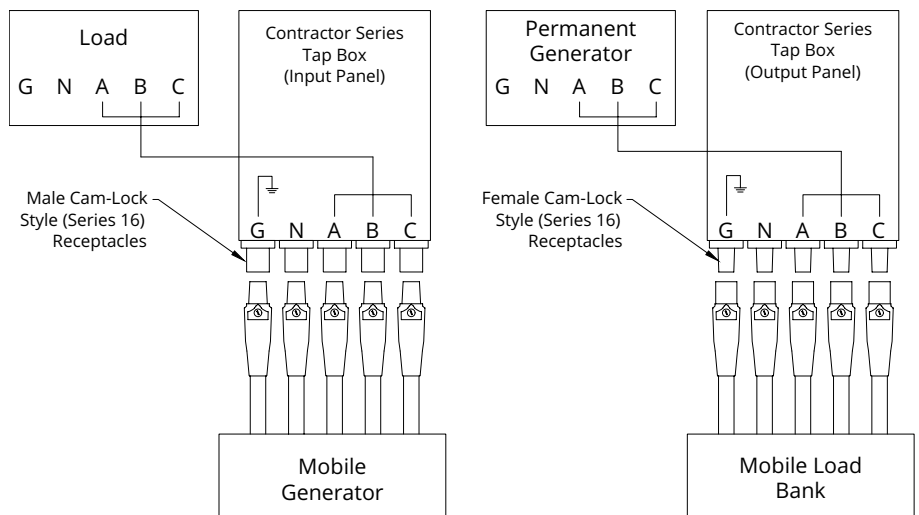
(X) = male (M) or female (F) camlocks; ex : TBQCCM01

(XXX) = voltage being used; ex: AWMS480

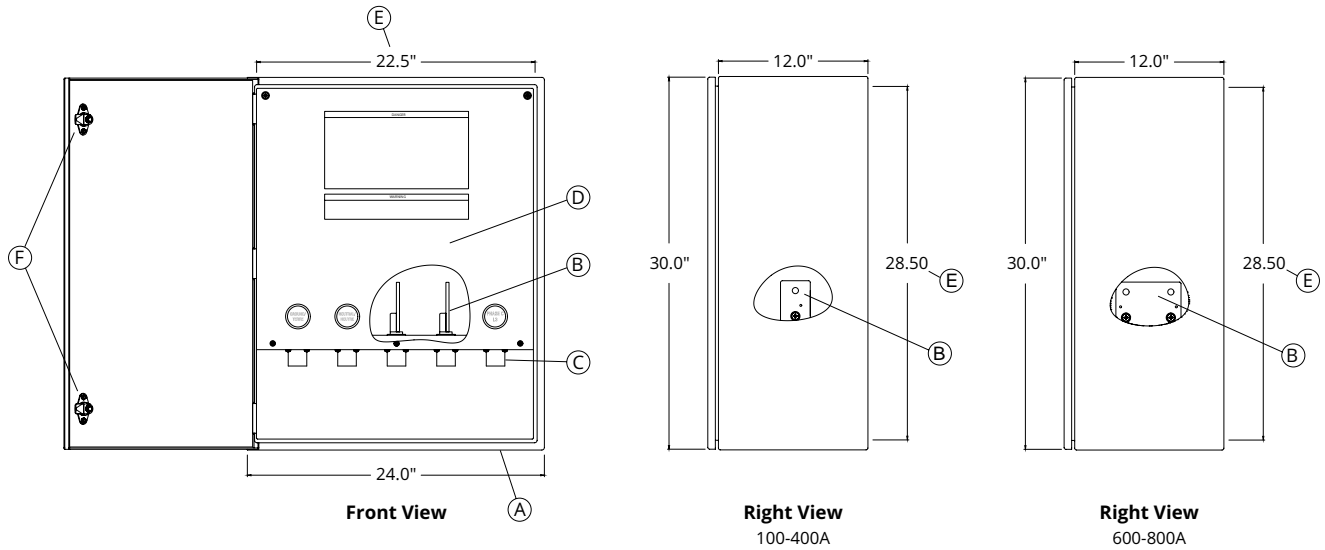
TYPICAL ONE LINE DIAGRAM

(INPUT & OUTPUT PANELS)

- UL Listed Nema 3R Enclosure
- Tin plated copper bus bar for incoming power connection
- Completed assembly safety agency approved
 - cULus Listed 1008
Control # 47HY
Product ID: Enclosed Power Inlet
 - cULus Listed 1773
Control #XCKT
Product ID: Enclosed Power Outlet



DIMENSIONS OF CONTRACTOR SERIES 100 – 800 AMP



ENCLOSURE SPECIFICATIONS

Type	Height	Width	Depth	Material	Color/Finish
NEMA 3R	30"	24"	12"	Mild Steel	ANSI 61 Gray
				Stainless Steel	Clear Brushed Finish

Standard Components	
A	No Door; Access To Internal Unit Through Bottom Of Enclosure
B	(5X) Copper Bus Bar, Tin Plated per Mounting Holes 0.50" Dia.
C	Series 16, 400 Amp, 600 VAC, Single Pole Cam-Lock Receptacle
D	Removable Dead Front
E	Mounting Hole Pattern – (4X) 0.50" dia. (22.5" x 28.5")
F	Quarter Turn Twist Lock Handle (Non-Locking)

ORDERING INFORMATION

TBQCC			-		Enclosure Option		Voltage	
Series	Cam-Lock Type		Amperage					
TBQCC Contractor	M	Male	01	100A	AWMS	Wall Mount Mild Steel	208	208Y/120V
	F	Female	02	200A	AWSS	Wall Mount Stainless Steel	240	240/120V
			04	400A			480	480Y/277V
			06	600A			600	600Y/347V
			08	800A				

Voltage	Ground	Neutral	L1	L2	L3	# of Rows (100-400A)	# of Rows (600-800A)
208Y/120	GRN	WHT	BLK	RED	BLU	x1	x2
240/120	GRN	WHT	BLK	RED	BLU	x1	x2
480Y/277	GRN	WHT	BRN	ORG	YEL	x1	x2
600/347	GRN	WHT	BLK	RED	BLU	x1	x2

Revised 2024.01



Sales: 1-800-221-7665 • Service & Support: 1-217-563-8333

PO Box 160, 106 E State Street, Nokomis, IL 62075-0160 • sales@ronkelectrical.com • www.ronkelectrical.com