

# POWERTRON®

## CONTRACTOR SERIES

### CONTRACTOR SERIES, UL LISTED, DOCKING STATION 1200 AMP

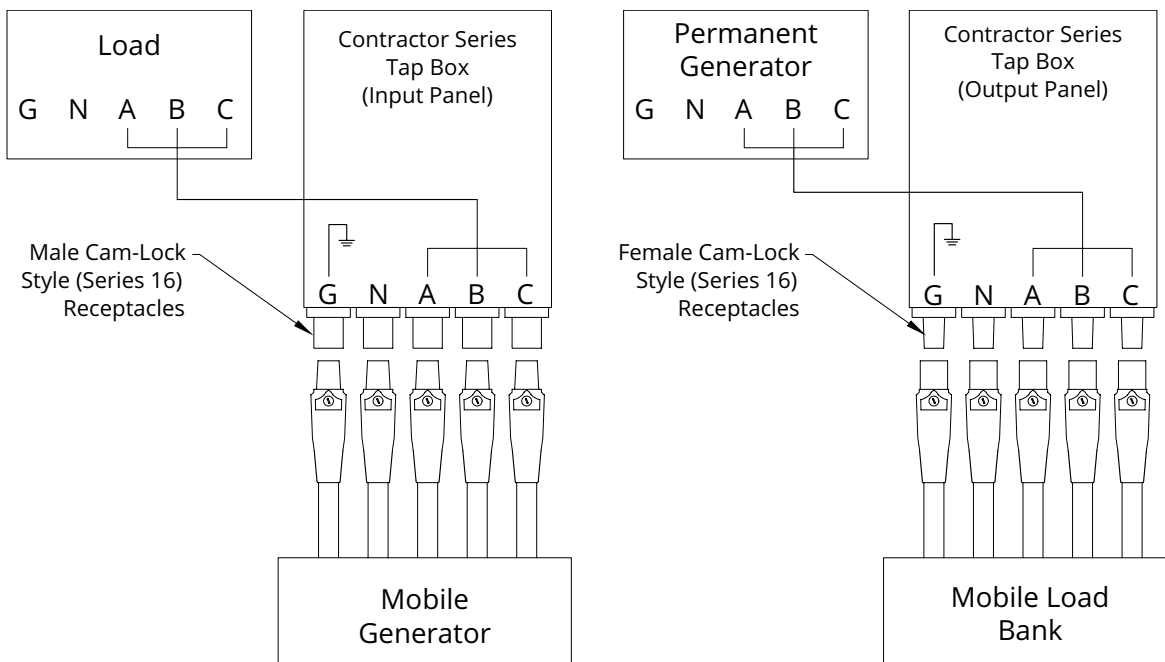
| Catalog Number       | Rating | SCCR Rating            | Technical Data   | Enclosure Option                                | Dimensions         |
|----------------------|--------|------------------------|--|---|--------------------|
| TBQCC(X)12-BWMS(XXX) | 1200   | 35kA RMS<br>600VAC Max | 3 Phase, 5 Wire,<br>208Y/120 VAC,<br>240/120 VAC,<br>480Y/277 VAC,<br>or 600/347 VAC | Wall mount,<br>mild steel or<br>stainless steel | 48"H x 36"W x 16"D |
| TBQCC(X)12-BWSS(XXX) |        |                        |  |   |                    |

(X) = male (M) or female (F) camlocks; ex: TBQCCM12

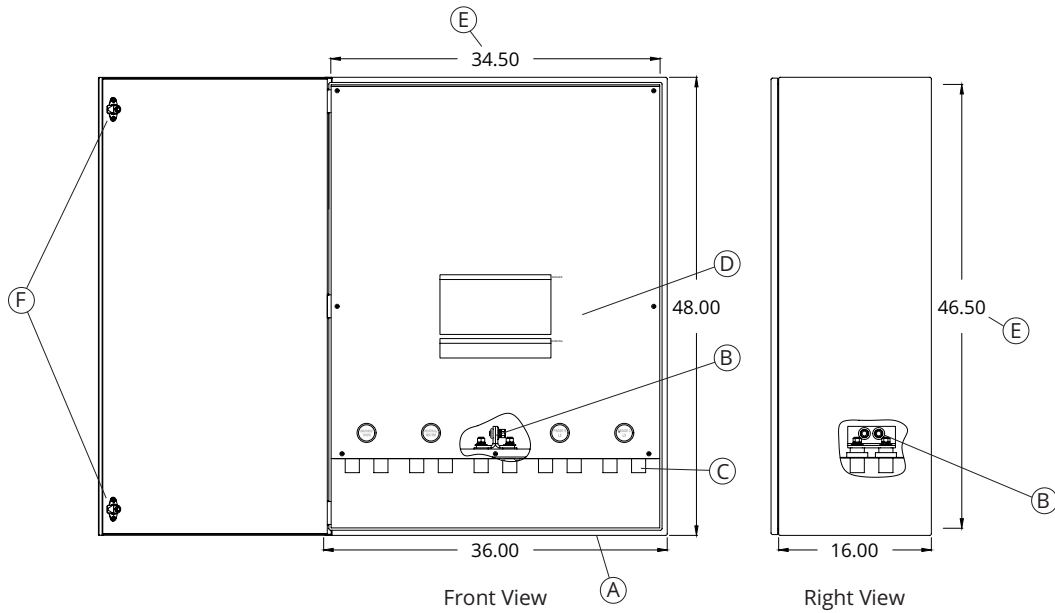
(XXX) = voltage being used; ex: BWMS480

- UL Listed Nema 3R Enclosure
- Tin plated copper bus bar for incoming power connection
- Completed assembly safety agency approved
  - cULus Listed 1008 / Control # 47HY / Product ID: Enclosed Power Inlet
  - cULus Listed 1773 / Control #XCKT / Product ID: Enclosed Power Outlet

### TYPICAL ONE LINE DIAGRAM (INPUT & OUTPUT PANELS)



## DIMENSIONS OF CONTRACTOR SERIES 1200 AMP



## ENCLOSURE SPECIFICATIONS

| Type    | Height | Width | Depth | Material        | Color/Finish         |
|---------|--------|-------|-------|-----------------|----------------------|
| NEMA 3R | 48"    | 36"   | 16"   | Mild Steel      | ANSI 61 Gray         |
|         |        |       |       | Stainless Steel | Clear Brushed Finish |

| Standard Components |  |
|---------------------|--|
| A                   | No Door; Access To Internal Unit Through Bottom Of Enclosure |
| B                   | (5X) Copper Bus Bar, Tin Plated Mounting Holes 0.50" Dia.    |
| C                   | Series 16, 400 Amp, 600 VAC, Single Pole Cam-Lock Receptacle |
| D                   | Removable Dead Front   |
| E                   | Mounting Hole Pattern – (4X) 0.50" dia. (34.5" x 46.5")      |
| F                   | Quarter Turn Twist Lock Handle (Non-Locking)                 |

## ORDERING INFORMATION

| TBQCC            |               |          |       | 12                              |     | -         |  |  |  |
|------------------|---------------|----------|-------|---------------------------------|-----|-----------|--|--|--|
| Series           | Cam-Lock Type | Amperage |       | Enclosure Option                |     | Voltage   |  |  |  |
| TBQCC Contractor | M Male        | 12       | 1200A | BWMS Wall Mount Mild Steel      | 208 | 208Y/120V |  |  |  |
|                  | F Female      |          |       | BWSS Wall Mount Stainless Steel | 240 | 240/120V  |  |  |  |
|                  |               |          |       |                                 | 480 | 480Y/277V |  |  |  |
|                  |               |          |       |                                 | 600 | 600Y/347V |  |  |  |

| Voltage  | Ground | Neutral | L1  | L2  | L3  | # of Rows |
|----------|--------|---------|-----|-----|-----|-----------|
| 208Y/120 | GRN    | WHT     | BLK | RED | BLU | x3        |
| 240/120  | GRN    | WHT     | BLK | RED | BLU | x3        |
| 480Y/277 | GRN    | WHT     | BRN | ORG | YEL | x3        |
| 600/347  | GRN    | WHT     | BLK | RED | BLU | x3        |

Revised 2024.01

# RONK

Sales: 1-800-221-7665 • Service & Support: 1-217-563-8333

PO Box 160, 106 E State Street, Nokomis, IL 62075-0160 • sales@ronkelectrical.com • www.ronkelectrical.com