

Provide both supplementary backup power and load testing connectivity through a single device. The SERIES 300 Dual-Purpose Quick Connect Power Panel is the singular solution for connecting load banks for testing and providing "backup-for-the-backup" according to NEC® 700.3 requirements.



150A-800A Wall Mount Dual Purpose QCP with Disconnect Breaker between Sources



800A-2000A Pad Mount Dual Purpose QCP (No Breaker)



2400A-4000A Pad Mount Dual Purpose QCP (No Breaker)

ASCO's SERIES 300 Dual Purpose Quick Connect Power Panels provide a convenient and economical way to connect a standby generator and a Load Bank for testing. These units are available in models ranging from 150 to 4000 Amps, they are designed to provide many years of service. The panels are ETL listed to UL 891 Standards. Together with an ASCO transfer switch, Dual Purpose Panels provide a connection for temporary power during maintenance or repair of a permanent power source. Dual Purpose Quick Connect Panels are an economical solution for supplying temporary power during a utility outage or maintenance work.

Features

- Dual Purpose Panels are Listed to UL 891 Standards by ETL
- Utilizes standard Series 16 Single Pole quick connect receptacles, with flip covers on male terminals
- Rated up to 600V
- Capacities from 150A to 4000A
- Lockable doors to prevent unauthorized entry
- Provide both supplementary backup power and load testing connectivity through a single device
- Standard Aluminium Type 3R enclosure is outdoor rated
- Available in a stainless steel enclosure option for corrosive environments
- Castell D-Lok mounted on lower housing door prevents access to portable generator camlocks when permanent generator is in use
- Disconnect Breaker with K-Bolt interlock provided on 150A-800A wall mounted units
- 800A-4000A models ship with a second K-Bolt to mount on the job site's permanent generator
- Phase rotation monitor with fuses
- Auto Start Destination Switch allows the User to choose which generator can be started by the ATS
- 2-Wire Banana Terminal Post for easy connection of Engine Start Circuit from Portable Generator
- Load Dump Receptacle - L1-15 Twist Lock Receptacle provided for easy load dump circuit connection

ASCO SERIES 300 Dual Purpose Quick Connect Power Panel



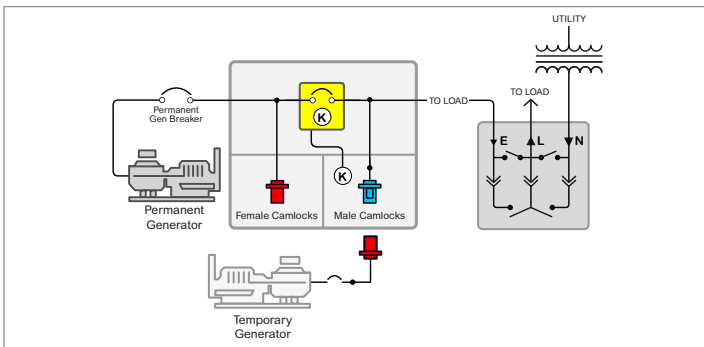
150A-800A Wall Mount Dual Purpose QCP with Disconnect Breaker between Sources



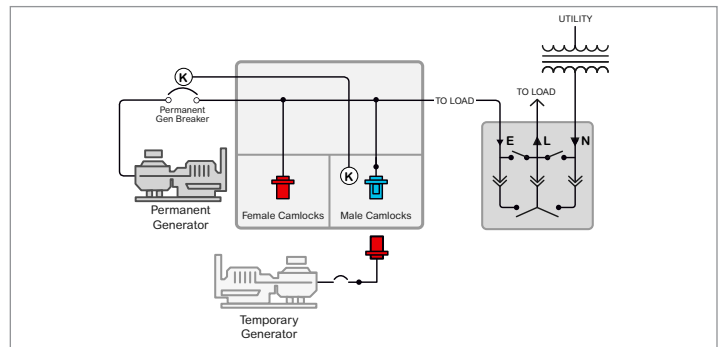
2400A-4000A Pad Mount Dual Purpose QCP (No Breaker)



800A-2000A Pad Mount Dual Purpose QCP (No Breaker)



Sample connection diagram for 150A-800A Wall Mount Dual Purpose QCP with Disconnect Breaker between Sources



Sample connection diagram for 800A-4000A Pad Mount Dual Purpose QCP (No Breaker)

RATING	STANDARD CONNECTON TYPE	MOUNTING	DIMENSTIONS	SHIPPING WEIGHT (lbs)	INTERNAL CONNECTION
150A-800A	Camlock (1-2 rows)	Wall Mount	31"w x 49"h x 26"d	120-160	150A (2) 100-350MCM, AL Screws 250A (2) 250 - 650MCM, AL Screws 400A (3) 250MCM - 650MCM, AL Screws 600A (3) 250MCM - 650MCM, AL Screws 800A (3) 250MCM - 650MCM, AL Screws
1200A-2000A	Camlock (2-5 rows)	Pad Mount	31"w x 57"h x 50"d	294-361	1200A (8) 500MCM - 800MCM, AL Screws 1600A (10) 500MCM - 800MCM, AL Screws 2000A (12) 500MCM - 800MCM, AL Screws
2400A-4000A	Camlock (6-10 rows)	Pad Mount	48"w x 57"h x 50"d	534-632	2400A (14) 500MCM - 800MCM, AL Screws 2800A (16) 500MCM - 800MCM, AL Screws 3200A (18) 500MCM - 800MCM, AL Screws 3600A (20) 500MCM - 800MCM, AL Screws 4000A (22) 500MCM - 800MCM, AL Screws

Catalog Information

3QC + DC + N + A + 3 + 0400	F	B0	F					
SERIES	Input/Output	Ground ¹	Neutral ²	Poles/Phase	Amps	Volts/Color Code	Accessories ³	Enclosure
SERIES 300 Quick Connect Panel	DC - Dual Purpose Input (Generator) - Male Camlock Output (Load Banks) - Female Camlock	N - minimum of 25% grounding ampacity	A - 100% Rated Neutral	3	0150 0250 0400 0600 0800 1200 1600 2000 2400 2800 3200 4000	F ≤240V Black, Red, Blue N ≤480V Brown, Orange, Yellow R ≤600V Black, Black, Black	B0 - 150A - 800A Wall Mount without Accessories BX - 150A - 800A Wall Mount with Accessories 00 - 1200A - 4000A Pad Mount without Accessories 0X - 1200A - 4000A Pad Mount with Accessories	F - Type 3R S - 316 Stainless Steel Type 3R

Notes:

1. 25% Ground is standard on all Dual Purpose Quick Connect Panels.
2. 100% Neutral provided for portable generator connections, No Neutral camlocks are provided for Load Bank.
3. B0 is used to denote Quick connect panel with a disconnect breaker. This option only available for 150A-800A units.

Optional Accessories

NUMBER	DESCRIPTION
44A	Strip Heater and Thermostat, 120VAC required 2000 - 4000A
147QC	Canadian Connector Color Coding: Phase A - Red, Phase B - Black, Phase C - Blue
172QC	20A (battery charger) and 30A (block heater) Receptacles (Customer Supplied source)