

Provide both supplementary backup power and load testing connectivity through a single device. The SERIES 300 Manual Transfer Switch with Dual Purpose Quick Connects is the singular solution for connecting load banks for testing and providing "backup-for-the-backup" according to NEC 700.3 requirements.



ASCO's SERIES 300 Manual Transfer Switch with Dual Purpose Quick Connects provide a reliable, convenient, and economical way to connect a both a standby generator and a Load Bank for testing. These units are available in models ranging from 150 to 3000 Amps. They are designed to provide years of trouble-free service. The switches are ETL listed to UL 891 Standards and provide an all-in-one solution for connecting temporary power during maintenance or repair of a permanent power source.

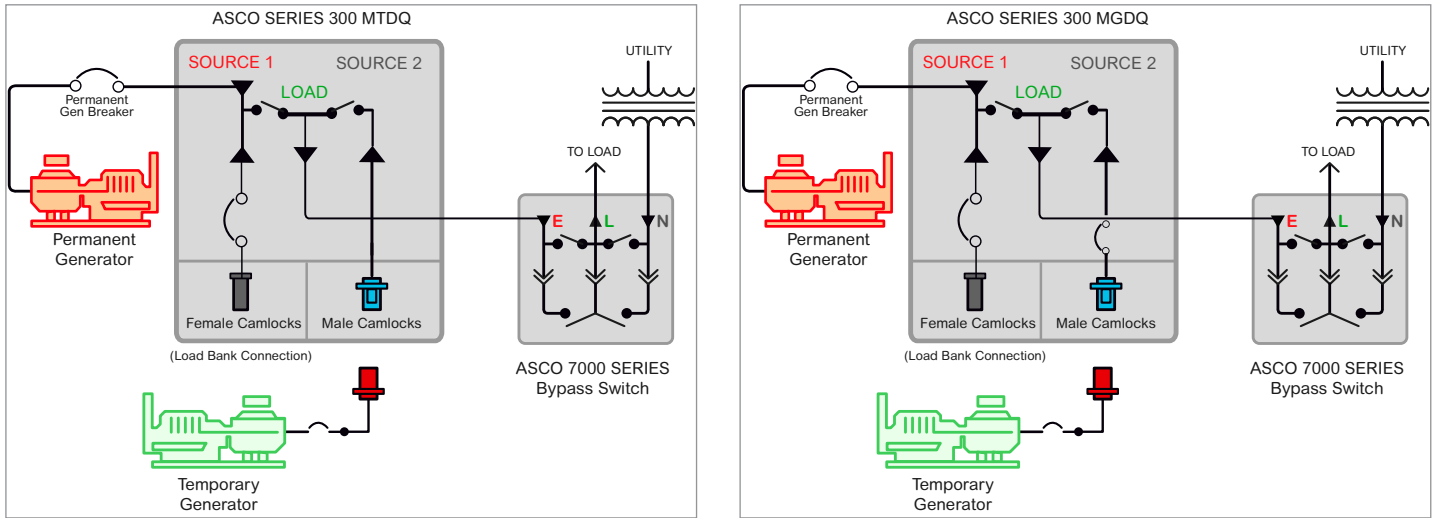
**SERIES 300 MTDQ & MGDQ with Integrated Quick Connections**

Every ASCO SERIES 300 Manual Transfer Switch with Dual Purpose Quick Connects provides the following capabilities and features:

- Listed to UL 891 standards. Transfer switch is UL1008 listed.
- Available from 150 to 3000 Amps, up to 600VAC, single or 3-phase.
- Dual-operator configuration provides 3-position switching with center-off position.
  - Switch design prevents simultaneous connection to two Sources.
  - Pad-lockable in any position.
- Simultaneously provide power to load with temporary generator while keeping permanent generator connected to load bank, without paralleling generators
- Available as solid neutral or switched neutral configuration
- Standard Type 3R cabinet is weatherproof with or without temporary power cables connected.
- Utilizes 16 Series Cam-Lok connectors.



# ASCO SERIES 300 Manual Transfer Switch with Dual Purpose Quick Connects



## Catalog Information

3QC	+	3MTDQ	+	A	+	3	+	0600	+	N	+	0X	+	M
Frame		Product		Neutral Code		Phase Poles		Amperes		Voltage Code		Group Code		Enclosure
J = 150 - 600A		3MTDQ - Manual Transfer Switch with Dual Quick Connects		A - Solid Neutral		2		0150		C - 208		00 - No Accessory		M - Type 3R Secure
H = 800 - 1200A				B - Switched Neutral		3		0200		D - 220		0X - Accessory		S - Type 3RX Secure (316) SS
G = 1600 - 3000A		3MGDQ - Manual Transfer Switch with Dual Quick Connects and Portable Generator breaker						0225		E - 230				
									0250		F - 240			
									0400		H - 380			
									0600		J - 400		0Z - Custom Accessory	
									0800		K - 415			
									1000		L - 440			
									1200		M - 460			
									1600		N - 480			
								2000		P - 550				
								2500		Q - 575				
								3000		R - 600				

## ASCO 171 MTDQ & MGDQ User Interface/Annunciation Accessories

171	+	B	+	P	+	1
Accessory Description		User Interface/Controls		Phase Rotation		IO Module
All 171 Accessories Include LEDs and Contacts For: <ul style="list-style-type: none"> <li>• Source 1 Available</li> <li>• Source 2 Available</li> <li>• Connected to Source 1</li> <li>• Connected to Source 2</li> <li>• Disconnected Position</li> <li>• Load Bank Connection</li> </ul>		B – Base (Source Indication Only. No engine start switch or common alarm)  E – Maintained Engine Start Switch/Output With Common Alarm Input/LED/Contact  K – Keyed Maintained Engine Start Switch/Output with Common Alarm Input/LED/Contact		P = Phase Rotation Monitor (LED)  Blank = none		1 = IO Module  Blank = None

## Additional ASCO MTDQ & MGDQ Accessories

Accessories	Description
44A	Strip heater with thermostat prevent condensation and ice formation of water. External 120V power source required
44G	Strip heater with thermostat wired to load terminals
72EE	Connectivity module provides remote monitoring
73	Surge Suppressor Rated 65kA
135L	Power Meter on Load Side (includes shorting block and current transformers)