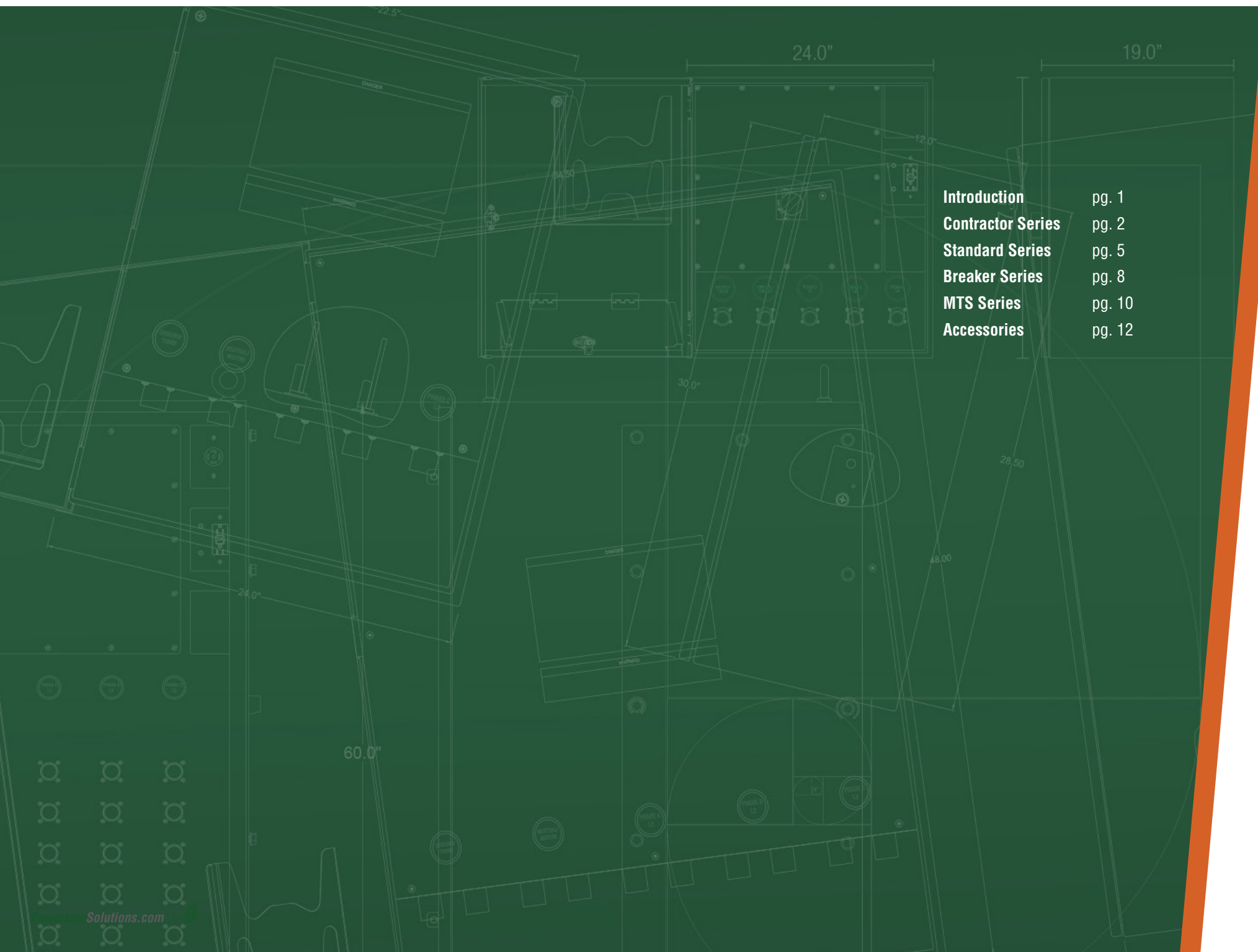




POWERTRON[®]

Emergency Power Ready Tap Box Capabilities & Accessories





Introduction pg. 1
Contractor Series pg. 2
Standard Series pg. 5
Breaker Series pg. 8
MTS Series pg. 10
Accessories pg. 12

POWERTRON'S PRODUCT FAMILY OF GENERATOR AND LOAD BANK TAPBOX'S



CONTRACTOR SERIES	STANDARD SERIES	BREAKER SERIES	MTS SERIES
100A	100A	100A	100A
200A	200A	200A	200A
400A	400A	400A	400A
600A	600A	600A	600A
800A	800A	800A	800A
1200A	1200A	1200A*	1200A
	1600A	1600A*	
	2000A	2000A*	
	2400A	2400A	
	2800A	2800A	
	3200A	3200A	
	3600A	3600A	
	4000A	4000A	

* Not UL Listed but build to UL Listed Standards.



Logistics

- Drop-Ship to Jobsite
- No Inventory ever needed



Purchasing

- Capable of EDI purchasing



Premier Products

- Premier off-the-shelf products
- Quality products at a competitive price
- Quick lead times



Support

- Responsive and knowledgeable customer support

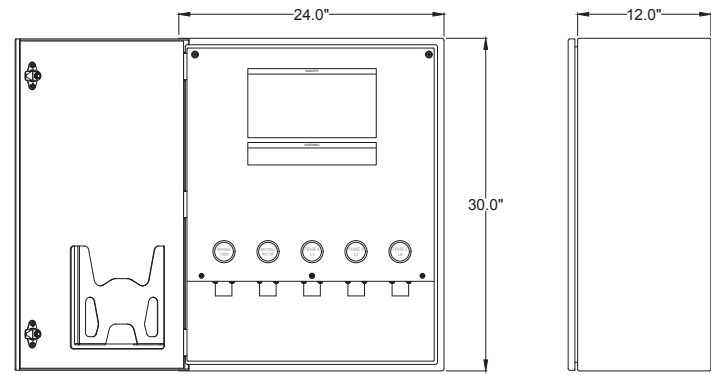


UL Listed

- Full Product Line 100A to 400A cULus Listed

100A to 800A

CONTRACTOR SERIES



Standard Features:

- Simple design
- Color coded cam-locks
- Plated Copper Bus Bar
- Trapped Generator Cables

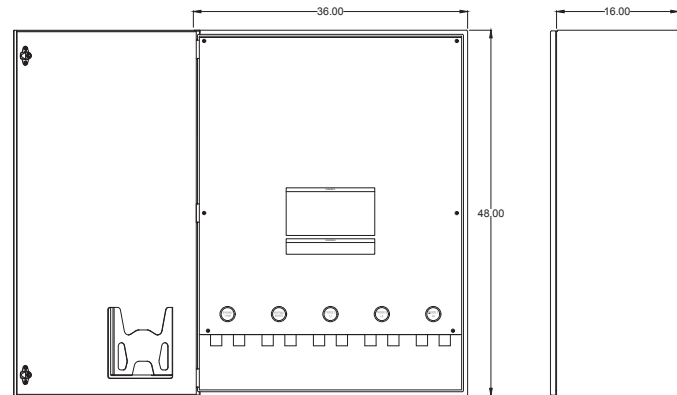


Technical Data

Rating	100A, 200A, 400A, 600A, 800A 3 Phase, 4 Pole, 5 Wire, 208Y/120 VAC, 240/120 VAC, 480Y/277 VAC, or 600/347 VAC
Enclosure	Wall mount, mild steel or stainless steel, NEMA 3R Outdoor Rated
Completed Assembly Safety Agency Approved	cULus Listed 1008 (Input Panel) cULus Listed 1773 (Output Panel)

1200A

CONTRACTOR SERIES



Standard Features:

- Simple design
- Color coded cam-locks
- Plated Copper Bus Bar
- Trapped Generator Cables



Technical Data

Rating	1200A, 3 Phase, 4 Pole, 5 Wire, 208Y/120 VAC, 240/120 VAC, 480Y/277 VAC, or 600/347 VAC
Enclosure	Wall mount, mild steel or stainless steel, NEMA 3R Outdoor Rated
Completed Assembly Safety Agency Approved	cULus Listed 1008 Control # 47HY Product ID: Transfer Switch Accessory

COMPARISON CHART

	CONTRACTOR SERIES	STANDARD SERIES
Good, Better, Best	Good	Best
Price	\$	\$\$\$
Amperage Range	100A to 1200A	100A to 4000A
Voltage	Up to 600VAC	Up to 600VAC
Mount Type	Wall Mount Only	Wall Mount: 100A to 800A Pad Mount: 1200 to 4000A
Complete Assembly cULus Listed	Male Cam-Lock: 1008 Female Cam-Lock: 1773	Male Cam-Lock: 1008 Female Cam-Lock: 1773
NEMA 3R or 3RX	Yes	Yes
Trapped Cable Door	Yes	Yes
Trapped Cable Door UL Verified	Not Available	Yes, on Wall Mount Enclosures
20A, 30A & 50A Receptacles	Not Available	Yes
Start/Stop Terminals	Not Available	Yes
3 Phase Rotation Monitor	Not Available	Yes
KIRK® Key	Not Available	Yes
Bottom Conduit Access	Not Available	Yes



STANDARD SERIES

Standard Features:

- UL Verified Trapped Generator Cable Door
- Remote Start/Stop Terminals
- GFCI 20A Receptacle

Field Assembled Features:

- UL Verified & UL Listed Phase Rotation Monitor Kit
- KIRK® Key Interlocking Door Kit
- Mechanical Lug Kit
- Compression Lug Kit
- 30A Twist-Lock Receptacle
- 50A Twist-Lock Receptacle



STANDARD SERIES

Standard Features:

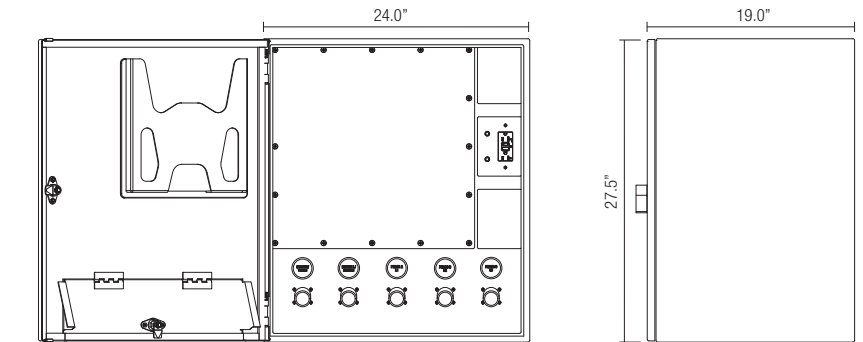
- UL Verified Trapped Generator Cable Door
- Remote Start/Stop Terminals
- GFCI 20A Receptacle
- 30A Twist-Lock Receptacle

Field Assembled Features:

- UL Verified & UL Listed Phase Rotation Monitor Kit
- KIRK® Key Interlocking Door Kit
- Mechanical Lug Kit
- Compression Lug Kit
- 50A Twist-Lock Receptacle



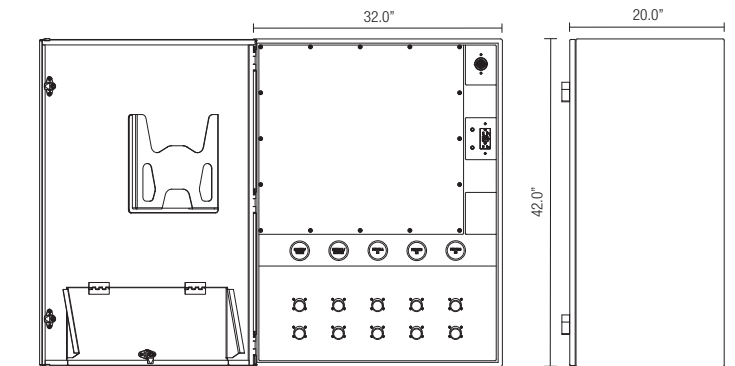
100A, 200A, and 400A



Technical Data

Rating	200A or 400A, 3 Phase, 4 Pole, 5 Wire, 208Y/120 VAC, 480Y/277 VAC, or 600/347 VAC
Enclosure	Wall mount, mild steel or stainless steel, NEMA 3R Outdoor Rated
Completed Assembly Safety Agency Approved	cULus Listed 1008 Control # 47HY Product ID: Enclosed Power Inlet
UL Verified, A061453	Trapped cable door prevents cable disconnection by unauthorized personnel.

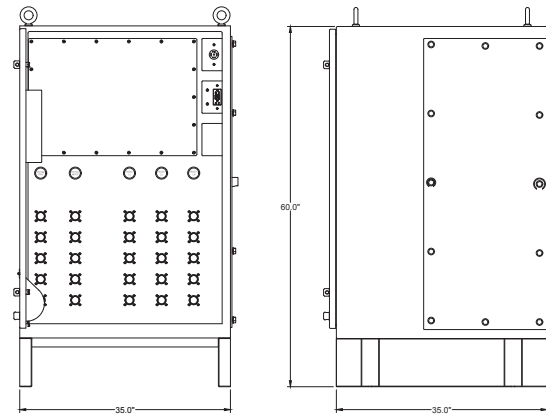
600A, and 800A



Technical Data

Rating	600A or 800A, 3 Phase, 4 Pole, 5 Wire, 208Y/120 VAC, 240/120 VAC, 480Y/277 VAC, or 600/347 VAC
Enclosure	Wall mount, mild steel or stainless steel, NEMA 3R Outdoor Rated
Completed Assembly Safety Agency Approved	cULus Listed 1008 Control # 47HY Product ID: Enclosed Power Inlet
UL Verified, A061453	Trapped cable door prevents cable disconnection by unauthorized personnel.

1200A, 1600A, and 2000A



STANDARD SERIES

Standard Features:

- Easy Bottom Conduit Entry
- Utility Side Door
- Trapped Generator Cable Door
- Remote Start/Stop Terminals
- GFCI 20A Receptacle
- 30A or 50A Twist-Lock Receptacle

Field Assembled Features:

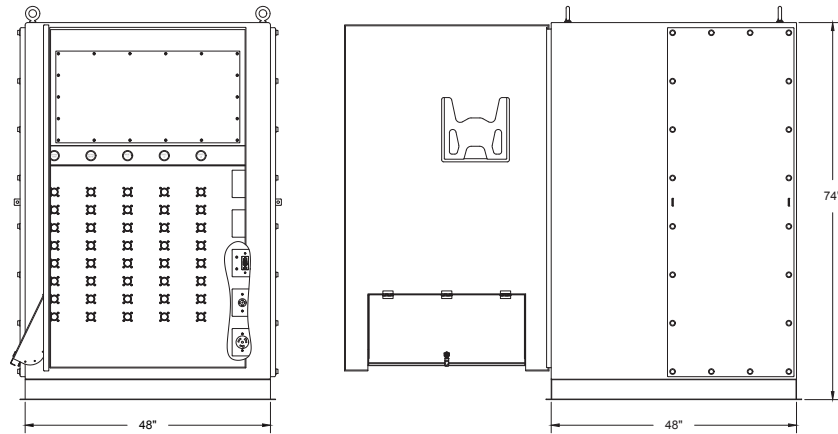
- UL Verified & UL Listed Phase Rotation Monitor Kit
- KIRK® Key Interlocking Door Kit
- Mechanical Lug Kit
- Compression Lug Kit



Technical Data

Rating	1200A, 1600A, or 2000A, 3 Phase, 4 Pole, 5 Wire, 208Y/120 VAC, 240/120 VAC, 480Y/277 VAC, or 600/347 VAC
Enclosure	Pad mount, mild steel or stainless steel, NEMA 3R Outdoor Rated
Completed Assembly Safety Agency Approved	cULus Listed 1008 Control # 47HY Product ID: Enclosed Power Inlet

2400A, 2800A, 3200A, 3600A, and 4000A



STANDARD SERIES

Standard Features:

- Removable Bottom Plate for Easy Conduit Entry
- (2) Utility Side Doors
- Trapped Generator Cable Door
- Remote Start/Stop Terminals
- GFCI 20A Receptacle
- 30A & 50A Twist-Lock Receptacle
- Built to UL Standards

Field Assembled Features:

- KIRK® Key Interlocking Door Kit
- Mechanical Lug Kit
- Compression Lug Kit



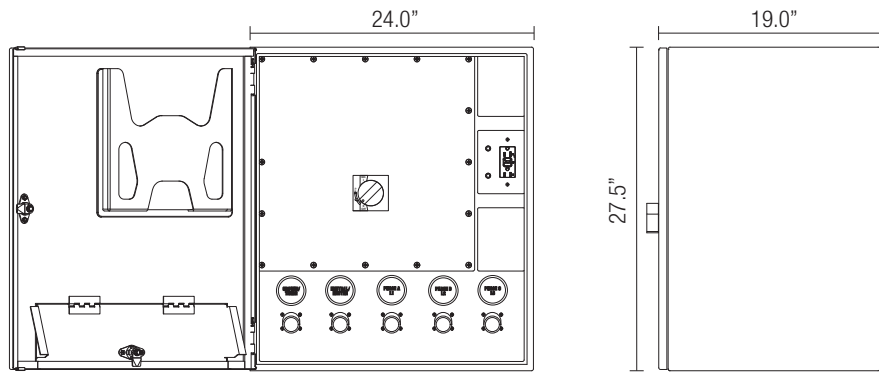
Technical Data

Rating	2400A, 2800A, 3200A, 3600A, or 4000A, 3 Phase, 4 Pole, 5 Wire, 208Y/120 VAC, 240/120 VAC, 480Y/277 VAC, or 600/347 VAC
Enclosure	Pad Mount, Mild Steel or Stainless Steel, NEMA 3R Outdoor Rated



100A, and 200A

BREAKER SERIES



Technical Data

Rating	200A, 3 Phase, 4 Pole, 5 Wire, 208Y/120 VAC, 240/120 VAC, 480Y/277 VAC, or 600/347 VAC
Enclosure	Wall mount, mild steel or stainless steel, NEMA 3R Outdoor Rated
Completed Assembly Safety Agency Approved	cULus Listed 1008 Control # 47HY Product ID: Transfer Switch Accessory
UL Verified, A061453	Trapped cable door prevents cable disconnection by unauthorized personnel.

Standard Features:

- UL Verified Trapped Generator Cable Door
- Remote Start/Stop Terminals
- GFCI 20A Receptacle

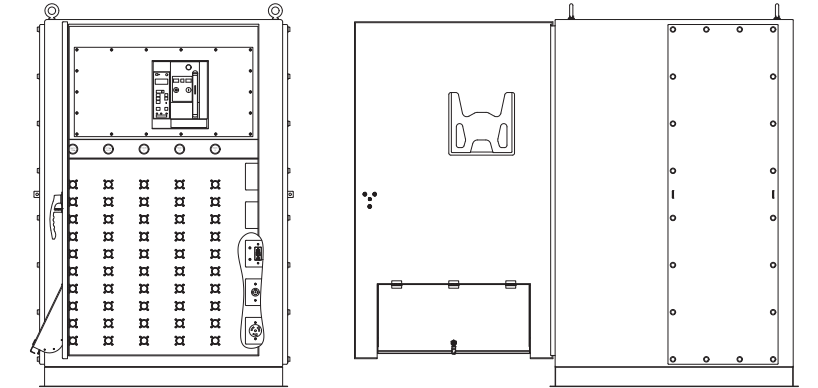
Field Assembled Features:

- UL Verified & UL Listed Phase Rotation Monitor Kit
- KIRK® Key Interlocking Door Kit
- Mechanical Lug Kit
- Compression Lug Kit
- 30A Twist-Lock Receptacle
- 50A Twist-Lock Receptacle



BREAKER SERIES

2400A to 4000A



Technical Data

Rating	200A, 3 Phase, 4 Pole, 5 Wire, 208Y/120 VAC, 240/120 VAC, 480Y/277 VAC, or 600/347 VAC
Enclosure	Wall mount, mild steel or stainless steel, NEMA 3R Outdoor Rated
Completed Assembly Safety Agency Approved	cULus Listed 1008 Control # 47HY Product ID: Transfer Switch Accessory
UL Verified, A061453	Trapped cable door prevents cable disconnection by unauthorized personnel.

Standard Features:

- UL Verified Trapped Generator Cable Door
- Remote Start/Stop Terminals
- GFCI 20A Receptacle

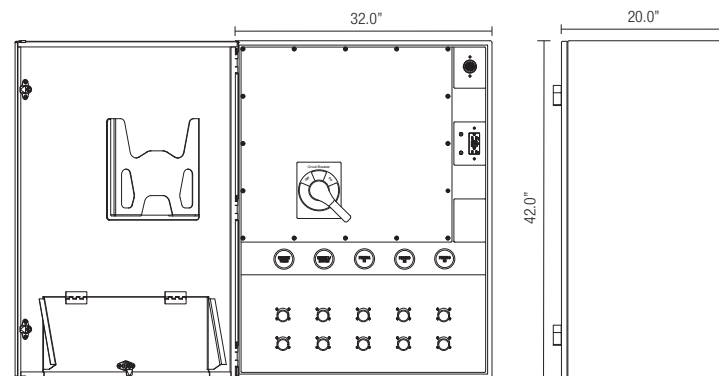
Field Assembled Features:

- UL Verified & UL Listed Phase Rotation Monitor Kit
- KIRK® Key Interlocking Door Kit
- Mechanical Lug Kit
- Compression Lug Kit
- 30A Twist-Lock Receptacle
- 50A Twist-Lock Receptacle



400A, 600A, and 800A

BREAKER SERIES



Technical Data

Rating	400A, 600A, or 800A, 3 Phase, 4 Pole, 5 Wire, 208Y/120 VAC, 240/120 VAC, 480Y/277 VAC, or 600/347 VAC
Enclosure	Wall mount, mild steel or stainless steel, NEMA 3R Outdoor Rated
Completed Assembly Safety Agency Approved	cULus Listed 1008 Control # 47HY Product ID: Transfer Switch Accessory
UL Verified, A061453	Trapped cable door prevents cable disconnection by unauthorized personnel.

Standard Features:

- UL Verified Trapped Generator Cable Door
- Remote Start/Stop Terminals
- GFCI 20A Receptacle
- 30A Twist-Lock Receptacle

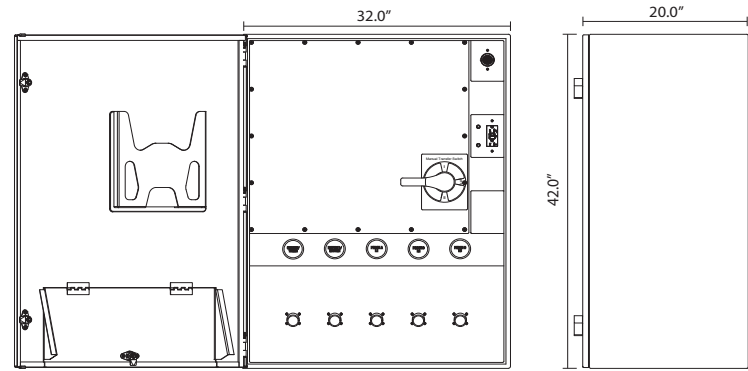
Field Assembled Features:

- UL Verified & UL Listed Phase Rotation Monitor Kit
- KIRK® Key Interlocking Door Kit
- Mechanical Lug Kit
- Compression Lug Kit
- 50A Twist-Lock Receptacle



100A, 200A, and 400A

MTS SERIES



Standard Features:

- UL Verified Trapped Generator Cable Door
- Remote Start/Stop Terminals
- GFCI 20A Receptacle

Field Assembled Features:

- UL Verified & UL Listed Phase Rotation Monitor Kit
- KIRK® Key Interlocking Door Kit
- Mechanical Lug Kit
- Compression Lug Kit
- 30A Twist-Lock Receptacle
- 50A Twist-Lock Receptacle



MTS SERIES

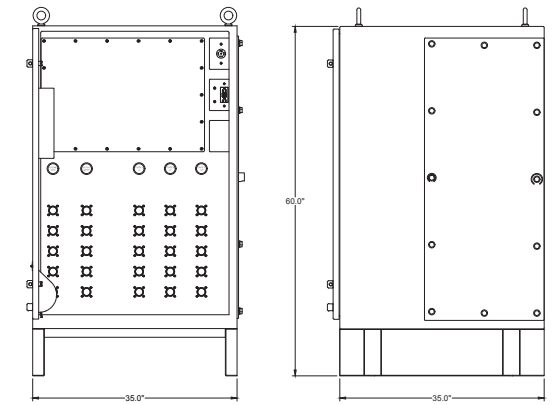
600A, 800A, and 1200A

Standard Features:

- Easy Bottom Conduit Entry
- Utility Side Door
- Trapped Generator Cable Door
- Remote Start/Stop Terminals
- GFCI 20A Receptacle
- 30A or 50A Twist-Lock Receptacle

Field Assembled Features:

- UL Verified & UL Listed Phase Rotation Monitor Kit
- KIRK® Key Interlocking Door Kit
- Mechanical Lug Kit
- Compression Lug Kit



Technical Data

Rating	1200A, 1600A, or 2000A, 3 Phase, 4 Pole, 5 Wire, 208Y/120 VAC, 240/120 VAC, 480Y/277 VAC, or 600/347 VAC
Enclosure	Pad mount, mild steel or stainless steel, NEMA 3R Outdoor Rated
Completed Assembly Safety Agency Approved	cULus Listed 1008 Control # 47HY Product ID: Enclosed Power Inlet

Technical Data

Rating	200A or 400A, 3 Phase, 4 Pole, 5 Wire, 208Y/120 VAC, 240/120 VAC, 480Y/277 VAC, or 600/347 VAC
Enclosure	Wall mount, mild steel or stainless steel, NEMA 3R Outdoor Rated
Completed Assembly Safety Agency Approved	cULus Listed 1008 Control # 47HY Product ID: Nonautomatic Transfer Switch
UL Verified, A061453	Trapped cable door prevents cable disconnection by unauthorized personnel.



Phase Rotation Monitor

Powertron's Phase Rotation Monitor Kit is an optional "field assembled" component, which monitors power availability/interruption, incorrect phase sequence and phase failure; and indicates all of that to the user via LED lights. The Monitor Kit is designed to provide real time information so that the user can respond quickly to the situation.

Technical Data

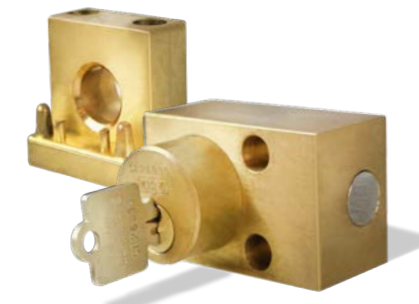
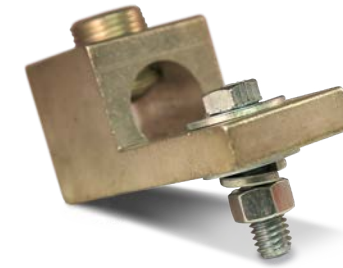
TBQC-MONITOR-KT1	Phase Rotation Monitor Kit, 240V to 600V, 3 Phase, and 1 Amp Panel Mount Fuses
Completed Assembly Safety Agency Approved	cULus Listed Control # 47HY



5X

PER PACKAGE:

Mechanical or Compression Lugs, Hex Bolts, Hex Nuts, Fender Washers, and Lock Washers



Mechanical + Compression Lug Kits

Technical Data

TBQC-MLUGKT-350*	Mechanical Lug Kit 350 Kcmil, 3/16" Stainless Steel Hardware, 5 lug assemblies per pkg.
TBQC-MLUGKT-600*	Mechanical Lug Kit 600 Kcmil, 3/16" Stainless Steel Hardware, 5 lug assemblies per pkg.

*This product is meant for Powertron® Tap Boxes that utilize a bus bar connection.

Compression Lug Kit

Part Number

TBQC-CLUGKT-250*	Powertron Compression Lug Kit, 250 Kcmil, 600 Volt, 5 lug assemblies per pkg.
TBQC-CLUGKT-300*	Powertron Compression Lug Kit, 300 Kcmil, 600 Volt, 5 lug assemblies per pkg.
TBQC-CLUGKT-350*	Powertron Compression Lug Kit, 350 Kcmil, 600 Volt, 5 lug assemblies per pkg.
TBQC-CLUGKT-400*	Powertron Compression Lug Kit, 400 Kcmil, 600 Volt, 5 lug assemblies per pkg.
TBQC-CLUGKT-500*	Powertron Compression Lug Kit, 500 Kcmil, 600 Volt, 5 lug assemblies per pkg.
TBQC-CLUGKT-600*	Powertron Compression Lug Kit, 600 Kcmil, 600 Volt, 5 lug assemblies per pkg.

*This product is meant for Powertron® Tap Boxes that utilize a bus bar connection.

KIRK® Key Interlock Door Kit

Powertron's KIRK® Key Interlocking Door Kit allows the tap box to be interlocked with the building's electrical system. Interlocking the tap box may allow for a safer process during operating and maintaining the buildings electrical and towable generator.

KIRK® Key, Type D – Door Mounted Detachable:

- Two Parts
 - Main Body: Available in 1 or 2 cylinders
 - Latch Body: Standard among configurations

Field Assembled Kit Includes:

- Mounting hardware
- Installation instructions
- KIRK® Key ordering instructions (KIRK® Key sold separately)

