

POWERTRON®

GENERATOR TAP BOX WITH AUTOMATIC TRANSFER SWITCH



The POWERTRON Generator Tap Box ATS offer a versatile range of options for electrical distribution, accommodating current ratings from 60A to 1200A in both single phase and three phase configurations. Available in 2, 3, and 4 pole setups, these tap boxes are equipped with a UL1008 rated open transition transfer switch, ensuring reliable and efficient switching between power sources. Ideal for critical applications, they provide seamless power management and enhanced safety features, making them suitable for a variety of industrial and commercial environments.

INTEGRATED ATS SERIES, GENERATOR, DOCKING STATION 100 - 400 AMP

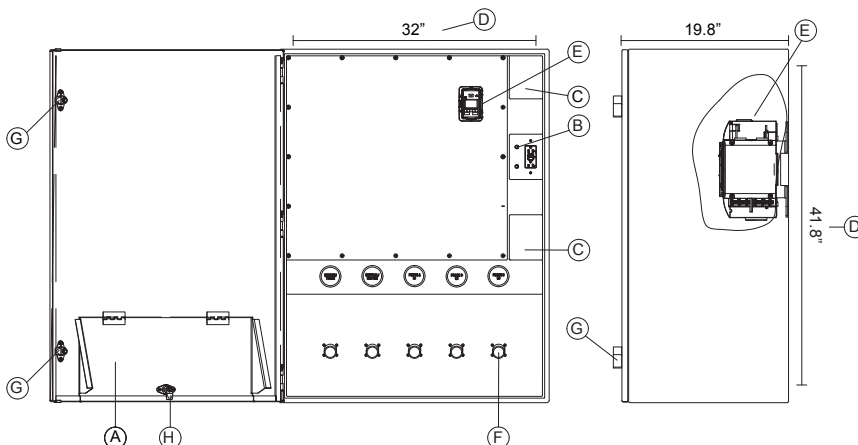
Catalog Number	Rating	Technical Data	Enclosure Option	Dimensions
TBQCAM01-LWMS(XXX)(-X)	100A	2, 3, 4 Pole 120/208 VAC, 120/240 VAC, 277/480 VAC,	Wall mount, mild steel or stainless steel	41.8"H x 32"W x 19.8"D
TBQCAM01-LWSS(XXX)(-X)				
TBQCAM02-LWMS(XXX)(-X)	200A			
TBQCAM02-LWSS(XXX)(-X)				
TBQCAM04-LWMS(XXX)(-X)	400A			
TBQCAM04-LWSS(XXX)(-X)				

- Fully Welded UL Listed NEMA 3R Enclosure
- Trapped cable door prevents cable disconnection by unauthorized personnel
- cULus Listed 1008 Transfer Switch

(XXX) = voltage being used;
ex: LWMS480

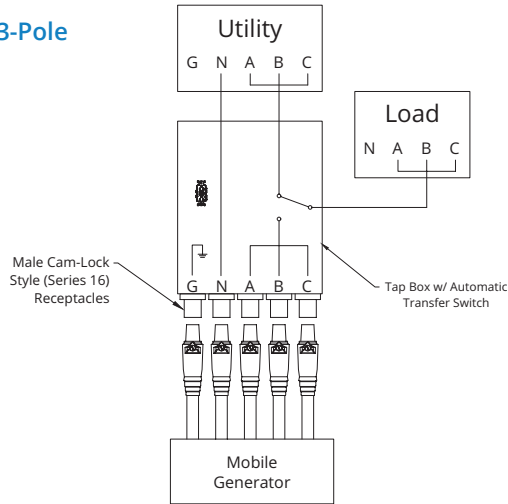
(-X) = number of switched poles;
ex: LWMS480-3

DIMENSIONS OF INTEGRATED ATS SERIES 100-400 AMP

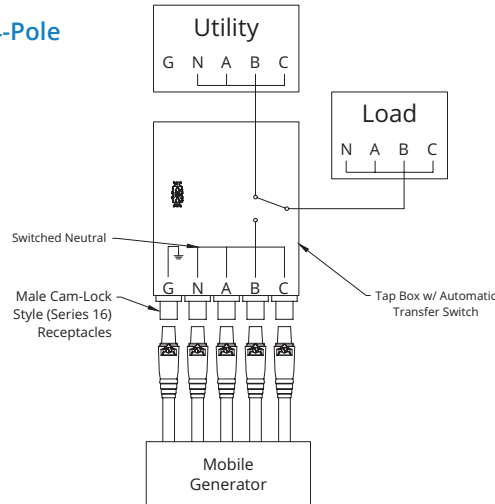


TYPICAL ONE LINE DIAGRAM (INPUT PANELS)

3-Pole



4-Pole



PART NUMBER BUILDER

TBQCA			-		-		-		-				
Series	Cam-Lock Type		AMP	Neutral		Enclosure Option		Voltage		# of Switched Poles			
TBQCA	M	Male	60	N	None	LWMS	Large Wall Mount Mild Steel		208	208Y/120V		2	2 pole
		Female	100	X	Solid Neutral		LWSS	Large Wall Mount Stainless Steel		240	240/120V		
			200	S	Switched Neutral				480		480Y/277V		4
			260										
			400										

EXAMPLE PART NUMBER - TBQCAM400N-LWMS-208-3

ENCLOSURE SPECIFICATIONS

Type	Height	Width	Depth	Material	Color/Finish
NEMA 3R	41.8"	32"	19.8"	Mild Steel	ANSI 61 Gray
				Stainless Steel	Clear Brushed Finish

Voltage	Ground	Neutral	L1	L2	L3	# of Rows
208Y/120						x1
240/120						x1
480Y/277						x1

Standard Components	
A	Trapped Cable Door
B	Remote Start/Stop Terminals
C	Additional Accessory Mounting
D	Mounting Hole Pattern - (4X) 0.50" dia. (30.50" x 40.50")
E	Automatic Transfer Switch
F	Series 16, 400 Amp, 600 VAC, Single Pole Cam-Lock Receptacle
G	Key Lock Handle (x2)
H	Quarter Turn Twist Lock Handle (Non-Locking)



Revised 2025.01

Sales: 1-800-221-7665 • Service & Support: 1-217-563-8333

PO Box 160, 106 E State Street, Nokomis, IL 62075-0160 • sales@ronkelectrical.com • www.ronkelectrical.com