

POWERTRON®

BREAKER SERIES

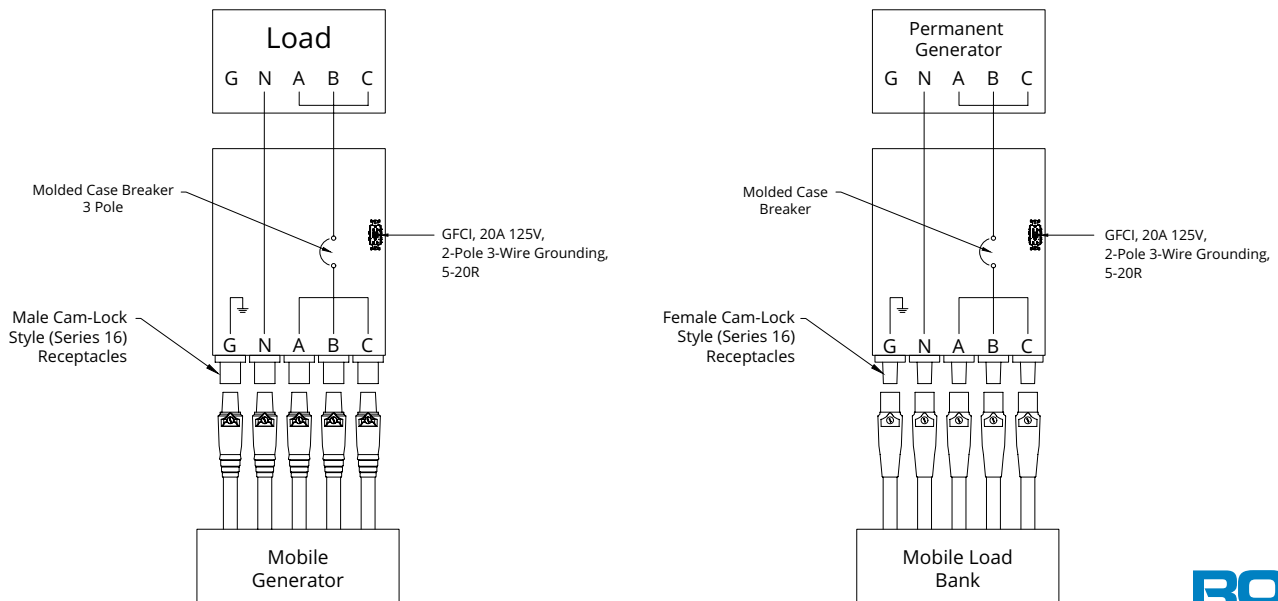
BREAKER SERIES, UL LISTED, DOCKING STATION 400 – 800 AMP

Catalog Number	Rating	SCCR Rating	Technical Data	Enclosure Option	Dimensions
TBQCB(X)04-LWMS(XXX)	400	18kA RMS 600VAC Max	3 Phase, 5 Wire, 208Y/120 VAC, 240/120 VAC, 480Y/277 VAC, or 600/347 VAC	Wall mount, mild steel or stainless steel	41.8"H x 32"W x 19.8"D
TBQCB(X)04-LWSS(XXX)					
TBQCB(X)06-LWMS(XXX)	600				
TBQCB(X)06-LWSS(XXX)					
TBQCB(X)08-LWMS(XXX)	800				
TBQCB(X)08-LWSS(XXX)					

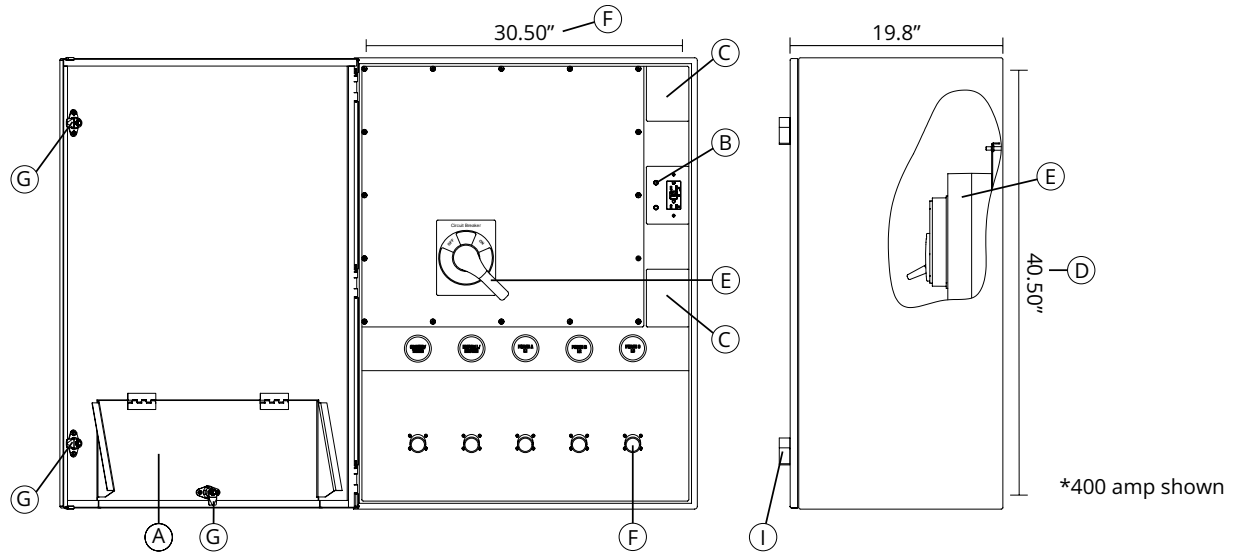
(X) = male (M) or female (F) camlocks; ex : TBQCBM04
 (XXX) = voltage being used; ex: LWMS480

- Thermal Magnetic Breaker Standard (Electronic Available)
- UL Listed Nema 3R Enclosure
- Trapped cable door prevents cable disconnection by unauthorized personnel
- Completed assembly safety agency approved
 - cULus Listed 1008 / Control # 47HY / Product ID: Enclosed Power Inlet
 - cULus Listed 891 / Control #WEVZ / Product ID: Enclosed Power Outlet

TYPICAL ONE LINE DIAGRAM (INPUT AND OUTPUT PANELS)



DIMENSIONS OF BREAKER SERIES 400-800 AMP



ENCLOSURE SPECIFICATIONS

Type	Height	Width	Depth	Material	Color/Finish
NEMA 3R	41.8"	32"	19.8"	Mild Steel	ANSI 61 Gray
				Stainless Steel	Clear Brushed Finish

Standard Components	
A	Trapped Cable Door
B	Remote Start/Stop Terminals
C	Additional Accessory Mounting
D	Mounting Hole Pattern - (4X) 0.50" dia. (30.50" x 40.50")
E	Molded Case Breaker
F	Series 16, 400 Amp, 600 VAC, Single Pole Cam-Lock Receptacle
G	Key Lock Handle (x2)

ORDERING INFORMATION

TBQCB									
Series	Cam-Lock Type		Amperage		Enclosure Option		Voltage		
TBQCB	Breaker	M	Male	04	400A	LWMS	Large Wall Mount Mild Steel	208	208Y/120V
		F	Female	06	600A	LWSS	Large Wall Mount Stainless Steel	240	240/120V
				08	800A			480	480Y/277V
								600	600Y/347V

Voltage	Ground	Neutral	L1	L2	L3	# of Rows (400A)	# of Rows (600-800A)
208Y/120	GRN	WHT	BLK	RED	BLU	x1	x2
240/120	GRN	WHT	BLK	RED	BLU	x1	x2
480Y/277	GRN	WHT	BRN	ORG	YEL	x1	x2
600/347	GRN	WHT	BLK	RED	BLU	x1	x2

Revised 2024.01



Sales: 1-800-221-7665 • Service & Support: 1-217-563-8333

PO Box 160, 106 E State Street, Nokomis, IL 62075-0160 • sales@ronkelectrical.com • www.ronkelectrical.com