

# POWERTRON®

## INTEGRATED MTS SERIES

### INTEGRATED MTS SERIES, UL LISTED, DOCKING STATION 600 - 1200 AMP

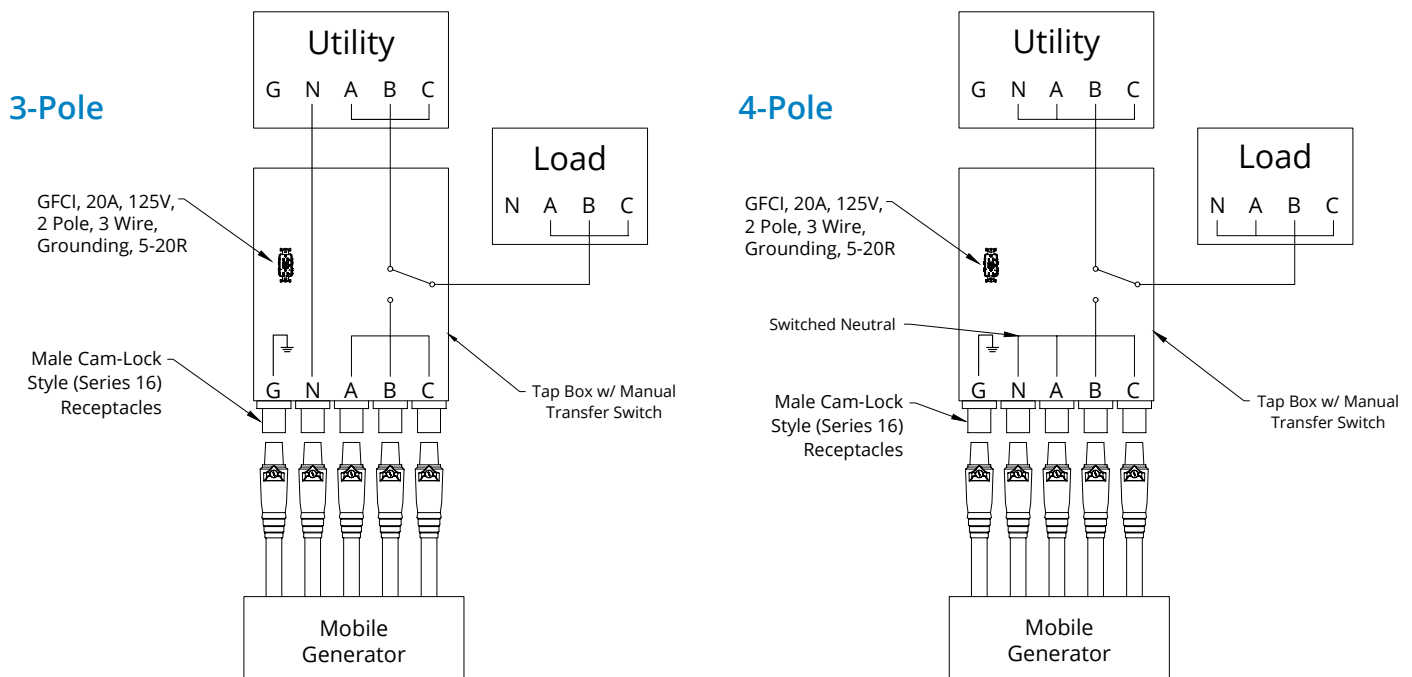
Catalog Number	Rating	SCCR Rating	Technical Data	Enclosure Option	Dimensions
TBQCMM06-MPMS(XXX)(-X)	600	22kA RMS 600 VAC Max	3 Pole or 4 Pole, 5 Wire 120/208 VAC, 120/240 VAC, 277/480 VAC, or 347/600 VAC	Pad mount, mild steel or stainless steel	71.8"H x 36.9"W x 34.9"D
TBQCMM06-MPSS(XXX)(-X)					
TBQCMM08-MPMS(XXX)(-X)	800				
TBQCMM08-MPSS(XXX)(-X)					
TBQCMM12-MPMS(XXX)(-X)	1200	50kA RMA 600 VAC Max			
TBQCMM12-MPSS(XXX)(-X)					

- UL Listed Nema 3R Enclosure
- Trapped cable door prevents cable disconnection by unauthorized personnel
- Connects to MTS lug (see detail E on dimension drawing)
- Completed assembly safety agency approved
  - cULus Listed 1008 / Control # 47HY / Product ID: Enclosed Power Inlet

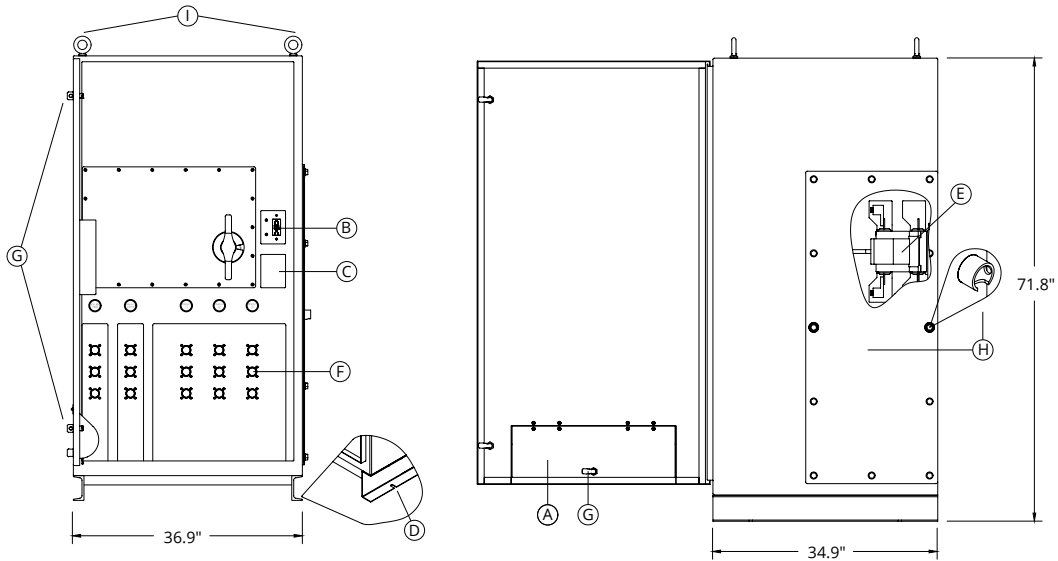
(XXX) = voltage being used; ex: MPMS480

(-X) = 3 or 4 pole; ex: LWMS480-3

### TYPICAL ONE LINE DIAGRAM (INPUT PANELS)



## DIMENSIONS OF INTEGRATED MTS SERIES 600-1200 AMP



## ORDERING INFORMATION

TBQCM		Cam-Lock Type		Amperage		Enclosure Option		Voltage		# of Switched Poles	
Series											
TBQCM	MTS	M	Male	06	600A	MPMS	Medium Pad Mount Mild Steel	208	208Y/120V	3	3 pole
		F	Female	08	800A	MPSS	Medium Pad Mount Stainless Steel	240	240/120V	4	4 pole
				12	1200A			480	480Y/277V		
								600	600Y/347V		

## ENCLOSURE SPECIFICATIONS

Type	Height	Width	Depth	Material	Color/Finish
NEMA 3R	71.8"	36.9"	34.9"	Mild Steel	ANSI 61 Gray
				Stainless Steel	Clear Brushed Finish

Voltage	Ground	Neutral	L1	L2	L3	# of Rows (600-800A)	# of Rows (1200A)
208Y/120						x2	x3
240/120						x2	x3
480Y/277						x2	x3
600/347						x2	x3

Standard Components	
A	Trapped Cable Door
B	Remote Start/Stop Terminals & GFCI 20 Amp Receptacle
C	Additional Accessory Mounting
D	Pad Mounting Layout Estimated Opening - 0.50" dia. - 36.0"W X 23.75"D
E	Manual Transfer Switch
F	Series 16, 400 Amp, 600 VAC, Single Pole Cam-Lock Receptacle
G	Pad Lockable Handle Hex SWS w/Pin
H	Utility Side Door secured with Penta Bolts and (2x) Pad Lock Provisions
I	Eye Lifting Hooks

Revised 2024.01

# RONK

Sales: 1-800-221-7665 • Service & Support: 1-217-563-8333

PO Box 160, 106 E State Street, Nokomis, IL 62075-0160 • sales@ronkelectrical.com • www.ronkelectrical.com