

POWERTRON®

STANDARD SERIES

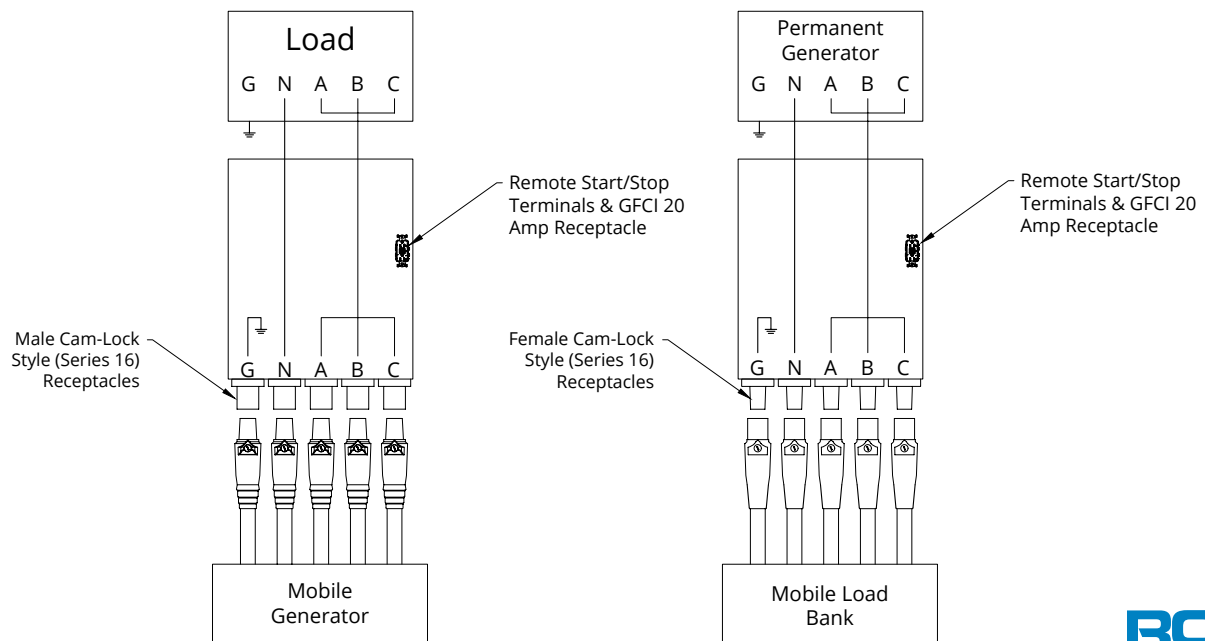
STANDARD SERIES, UL LISTED, DOCKING STATION 1200 – 2000 AMP

| Catalog Number | Rating | SCCR Rating | Technical Data | Enclosure Option | Dimensions |
|----------------------|--------|------------------------|--|--|--------------------|
| TBQCS(X)12-SPMS(XXX) | 1200 | 50kA RMS 600VAC Max | 3 Phase, 5 Wire, 208Y/120 VAC, 240/120 VAC, 480Y/277 VAC, or 600/347 VAC | Pad mount, mild steel or stainless steel | 60"H x 35"W x 35"D |
| TBQCS(X)12-SPSS(XXX) | | | | | |
| TBQCS(X)16-SPMS(XXX) | 1600 | | | | |
| TBQCS(X)16-SPSS(XXX) | | | | | |
| TBQCS(X)20-SPMS(XXX) | 2000 | | | | |
| TBQCS(X)20-SPSS(XXX) | | | | | |

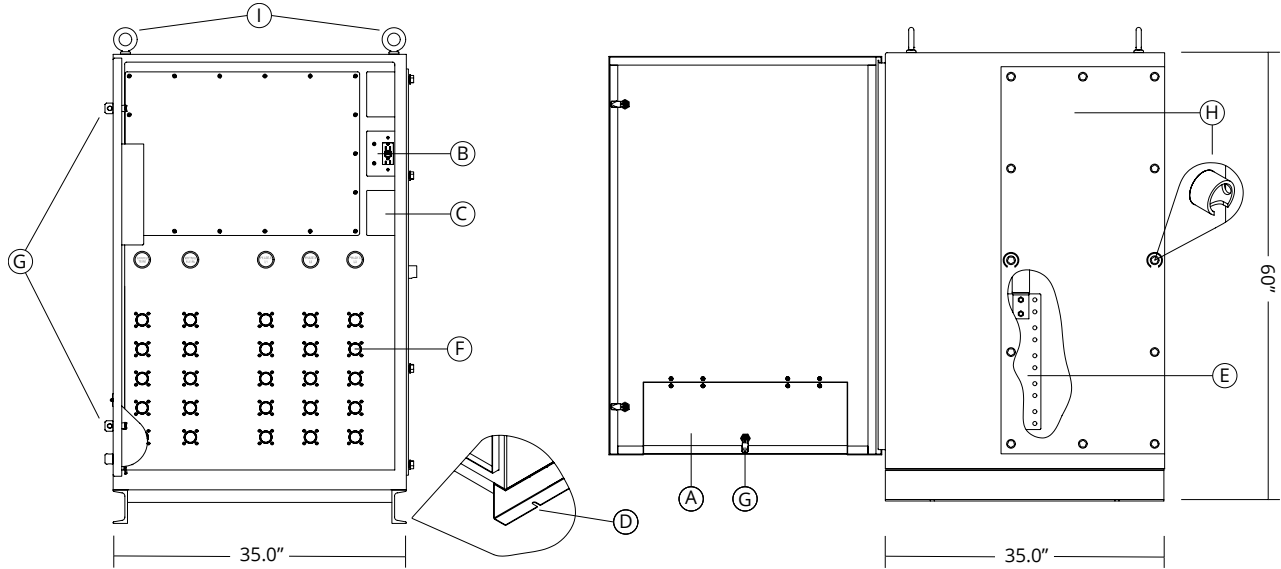
- UL Listed Nema 3R Enclosure
- Trapped cable door prevents cable disconnection by unauthorized personnel
- Tin plated copper bus bar for incoming power connection
- Completed assembly safety agency approved
 - cULus Listed 1008 / Control # 47HY / Product ID: Enclosed Power Inlet
 - cULus Listed 1773 / Control #XCKT / Product ID: Enclosed Power Outlet

(X) = male (M) or female (F) cam-locks; ex: TBQCSM12
 (XXX) = voltage being used; ex: SPMS480

TYPICAL ONE LINE DIAGRAM (INPUT AND OUTPUT PANELS)



DIMENSIONS OF STANDARD SERIES 1200-2000 AMP



ENCLOSURE SPECIFICATIONS

| Type | Height | Width | Depth | Material | Color/Finish |
|---------|--------|-------|-------|-----------------|----------------------|
| NEMA 3R | 60" | 35" | 35" | Mild Steel | ANSI 61 Gray |
| | | | | Stainless Steel | Clear Brushed Finish |

| Standard Components | |
|---------------------|---|
| A | Trapped Cable Door |
| B | Remote Start/Stop Terminals & GFCI 20 Amp Receptacle |
| C | Additional Accessory Mounting |
| D | Pad Mounting Layout Estimated Opening – 0.50" dia. 34.0"W X 23.75D" |
| E | (5X) Copper Bus Bar, Tin Plated, (10X) Mounting Holes 0.50" Dia. |
| F | Series 16, 400 Amp, 600 VAC, Single Pole Cam-Lock Receptacle |
| G | Pad Lockable Handle (3X) Hexagon SWS with Pin |
| H | Utility Side Door Secured with Penta Bolts & (2X) Pad Lock Provisions |
| I | Eye Lifting Hooks |

ORDERING INFORMATION

| TBQCS | | Cam-Lock Type | | Amperage | | Enclosure Option | | Voltage | |
|--------|----------|---------------|------|----------|-------|------------------|---------------------------------|---------|-----------|
| Series | | | | | | | | | |
| TBQCS | Standard | M | Male | 12 | 1200A | SPMS | Small Pad Mount Mild Steel | 208 | 208Y/120V |
| | | | | 16 | 1600A | SPSS | Small Pad Mount Stainless Steel | 240 | 240/120V |
| | | | | 20 | 2000A | | | 480 | 480Y/277V |
| | | | | | | | | 600 | 600Y/347V |

| Voltage | Ground | Neutral | L1 | L2 | L3 | # of Rows (1200A) | # of Rows (1600A) | # of Rows (2000A) |
|----------|--------|---------|----|----|----|-------------------|-------------------|-------------------|
| 208Y/120 | | | | | | x3 | x4 | x5 |
| 240/120 | | | | | | x3 | x4 | x5 |
| 480Y/277 | | | | | | x3 | x4 | x5 |
| 600/347 | | | | | | x3 | x4 | x5 |

Revised 2024.01



Sales: 1-800-221-7665 • Service & Support: 1-217-563-8333

PO Box 160, 106 E State Street, Nokomis, IL 62075-0160 • sales@ronkelectrical.com • www.ronkelectrical.com