

# POWERTRON®

## STANDARD SERIES

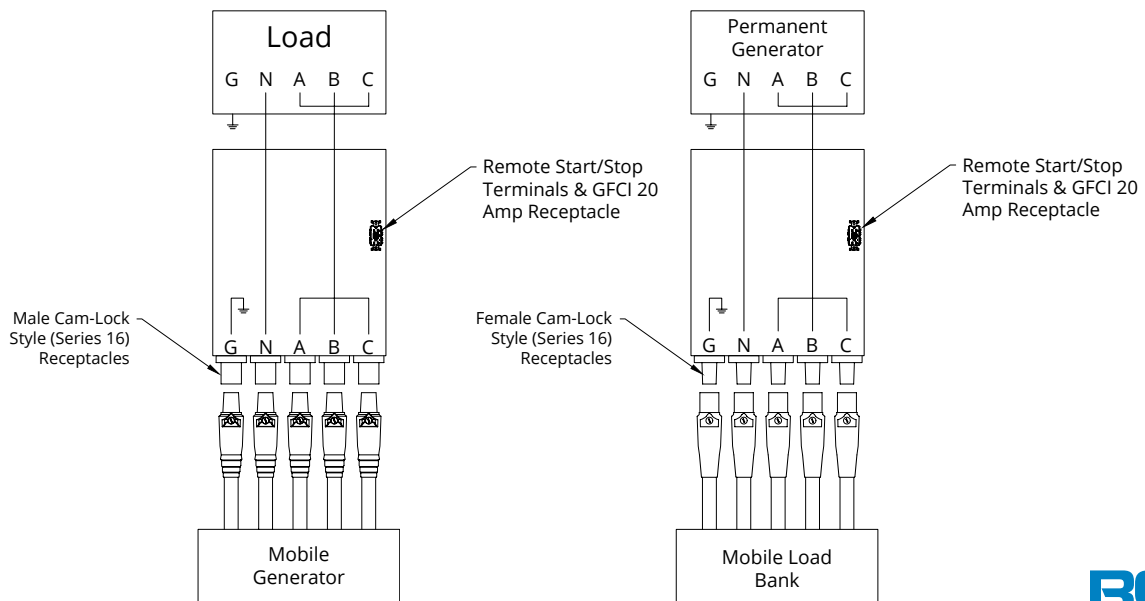
### STANDARD SERIES, UL LISTED, DOCKING STATION 2400 - 4000 AMP

Catalog Number	Rating	SCCR Rating	Technical Data	Enclosure Option	Dimensions
TBQCS(X)24-LPMS(XXX)	2400	100kA RMS 600VAC Max	3 Phase, 5 Wire, 208Y/120 VAC, 240/120 VAC, 480Y/277 VAC, or 600/347 VAC	Pad mount, mild steel or stainless steel	74"H x 48"W x 48"D
TBQCS(X)24-LPSS(XXX)					
TBQCS(X)28-LPMS(XXX)	2800				
TBQCS(X)28-LPSS(XXX)					
TBQCS(X)32-LPMS(XXX)	3200				
TBQCS(X)32-LPSS(XXX)					
TBQCS(X)36-LPMS(XXX)	3600				
TBQCS(X)36-LPSS(XXX)					
TBQCS(X)40-LPMS(XXX)	4000				
TBQCS(X)40-LPSS(XXX)					

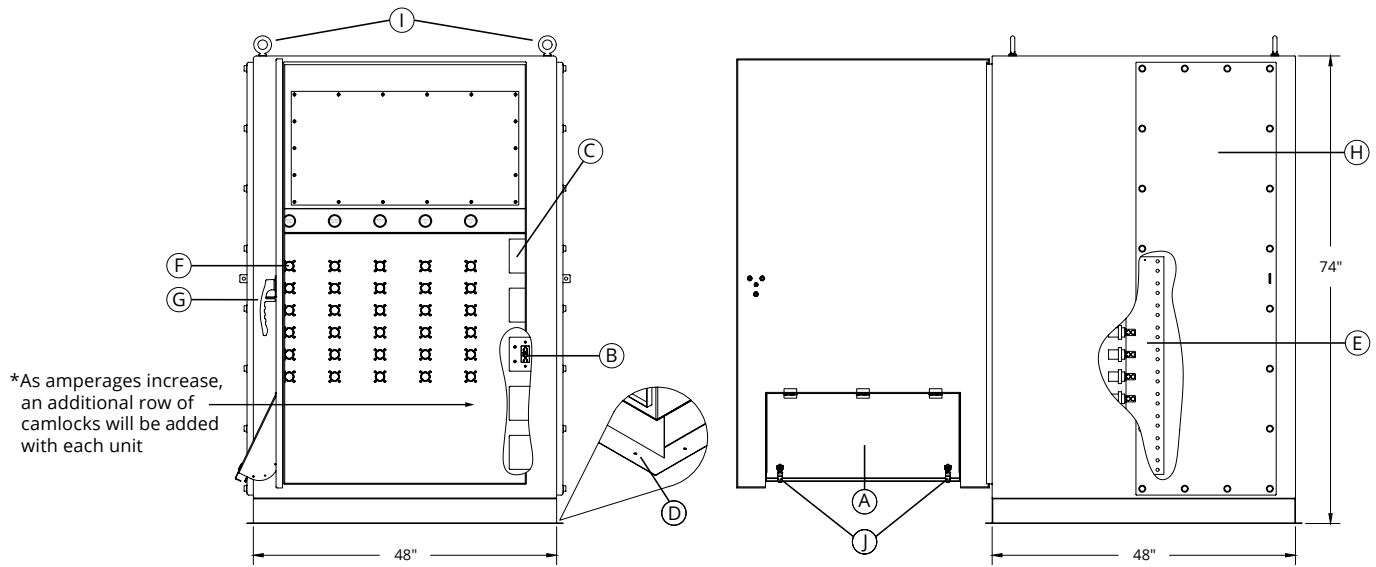
- UL Listed Nema 3R Enclosure
- Trapped cable door prevents cable disconnection by unauthorized personnel
- Tin plated copper bus bar for incoming power connection
- Completed assembly safety agency approved
  - cULus Listed 1008 / Control # 47HY / Product ID: Enclosed Power Inlet
  - cULus Listed 1773 / Control #XCKT / Product ID: Enclosed Power Outlet

(X) = male (M) or female (F) cam-locks; ex: TBQCSM24  
(XXX) = voltage being used; ex: LPMS480

### TYPICAL ONE LINE DIAGRAM (INPUT AND OUTPUT PANELS)



# DIMENSIONS OF STANDARD SERIES 2400-4000 AMP (IN INCHES)



## ENCLOSURE SPECIFICATIONS

Type	Height	Width	Depth	Material	Color/Finish
NEMA 3R	74"	48"	48"	Mild Steel	ANSI 61 Gray
				Stainless Steel	Clear Brushed Finish

Standard Components	
A	Trapped Cable Door
B	Remote Start/Stop Terminals & GFCI 20 Amp Receptacle
C	Additional Accessory Mounting
D	Pad Mount: Approx. Pad Dimensions (50"W x 50"D)
E	(5X) Copper Bus Bar, Tin Plated, Mounting Holes 0.50" Dia.
F	Series 16, 400 Amp, 600 VAC, Single Pole Cam-Lock Receptacle
G	Pad Lock Handle
H	(2X) Utility Side Door Secured with Penta Bolts & (2X) Pad Lock Provisions
I	Eye Lifting Hooks
J	(x2) Hexagon SWS Padlock Handle w/ Pin

## ORDERING INFORMATION

TBQCS			-		Enclosure Option		Voltage		
Series	Cam-Lock Type		Amperage						
TBQCS	Standard	M	Male	24	2400A	LPMS	Large Pad Mount Mild Steel	208	208Y/120V
				28	2800A			240	240/120V
		F	Female	32	3200A	LPSS	Large Pad Mount Stainless Steel	480	480Y/277V
				36	3600A			600	600Y/347V
				40	4000A				

Voltage	Ground	Neutral	L1	L2	L3	# of Rows (2400A)	# of Rows (2800A)	# of Rows (3200A)	# of Rows (3600A)	# of Rows (4000A)
208Y/120						x6	x7	x8	x9	x10
240/120						x6	x7	x8	x9	x10
480Y/277						x6	x7	x8	x9	x10
600/347						x6	x7	x8	x9	x10

Revised 2024.01



Sales: 1-800-221-7665 • Service & Support: 1-217-563-8333

PO Box 160, 106 E State Street, Nokomis, IL 62075-0160 • sales@ronkelectrical.com • www.ronkelectrical.com