

# POWERTRON®

## STANDARD SERIES

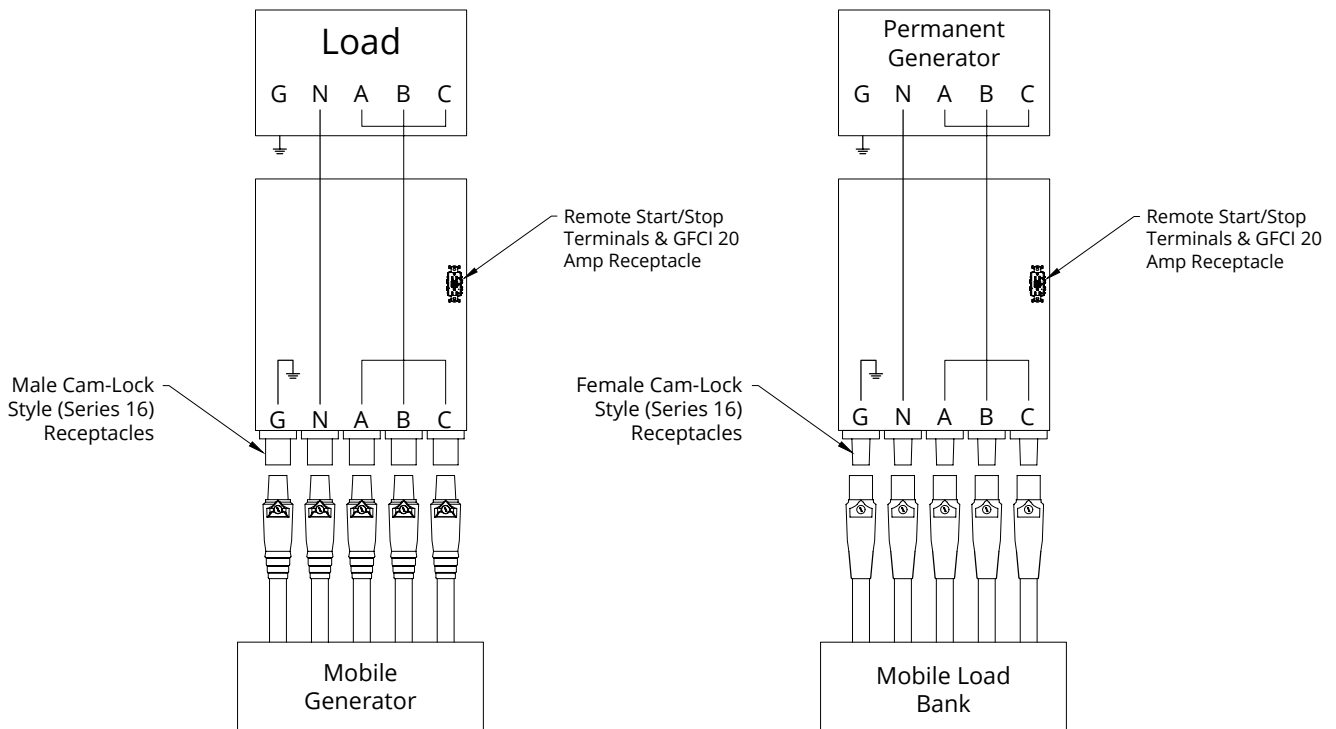
### STANDARD SERIES, UL LISTED, DOCKING STATION 600 – 800 AMP

| Catalog Number       | Rating | SCCR Rating            | Technical Data   | Enclosure Option                                | Dimensions             |
|----------------------|--------|------------------------|--|---|------------------------|
| TBQCS(X)06-LWMS(XXX) | 600    | 22kA RMS<br>600VAC Max | 3 Phase, 5 Wire,<br>208Y/120 VAC,<br>240/120 VAC,<br>480Y/277 VAC, or<br>600/347 VAC | Wall mount,<br>mild steel or<br>stainless steel | 41.8"H x 32"W x 19.8"D |
| TBQCS(X)06-LWSS(XXX) |        |                        |  |   |                        |
| TBQCS(X)08-LWMS(XXX) | 800    |                        |  |   |                        |
| TBQCS(X)08-LWSS(XXX) |        |                        |  |   |                        |

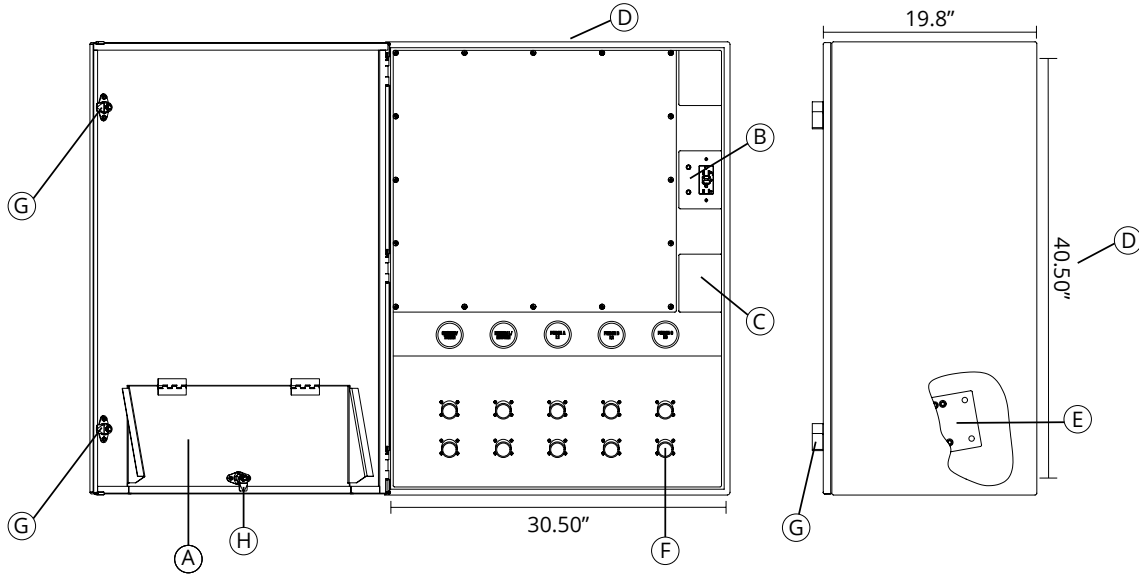
- UL Listed Nema 3R Enclosure
- Trapped cable door prevents cable disconnection by unauthorized personnel
- Tin plated copper bus bar for incoming power connection
- Completed assembly safety agency approved
  - cULus Listed 1008 / Control # 47HY / Product ID: Enclosed Power Inlet
  - cULus Listed 1773 / Control #XCKT / Product ID: Enclosed Power Outlet

(X) = male (M) or female (F) cam-locks; ex: TBQCSM06  
 (XXX) = voltage being used; ex: LWMS480

### TYPICAL ONE LINE DIAGRAM (INPUT AND OUTPUT PANELS)



# DIMENSIONS OF STANDARD SERIES 600-800 AMP



## ENCLOSURE SPECIFICATIONS

| Type    | Height | Width | Depth | Material        | Color/Finish         |
|---------|--------|-------|-------|-----------------|----------------------|
| NEMA 3R | 41.8"  | 32"   | 19.8" | Mild Steel      | ANSI 61 Gray         |
|         |        |       |       | Stainless Steel | Clear Brushed Finish |

| Standard Components |   |
|---------------------|---|
| A                   | Trapped Cable Door  |
| B                   | Remote Start/Stop Terminals & GFCI 20 Amp Receptacle          |
| C                   | Additional Accessory Mounting                                 |
| D                   | Mounting Hole Pattern – (4X) 0.50" dia. (30.50" x 40.50")     |
| E                   | (5X) Copper Bus Bar, Tin Plated, (1) mounting hole 0.50" dia. |
| F                   | Series 16, 400 Amp, 600 VAC, Single Pole Cam-Lock Receptacle  |
| G                   | Key Lock Handle (X2)  |
| H                   | Quarter Turn Twist Lock Handle (Non-Locking)                  |

## ORDERING INFORMATION

| TBQCS  |          | Cam-Lock Type |        | Amperage |      | Enclosure Option |                                  | Voltage |           |
|--------|----------|---------------|--------|----------|------|------------------|----------------------------------|---------|-----------|
| Series |          |               |        |          |      |                  |                                  |         |           |
| TBQCS  | Standard | M             | Male   | 06       | 600A | LWMS             | Large Wall Mount Mild Steel      | 208     | 208Y/120V |
|        |          | F             | Female | 08       | 800A | LWSS             | Large Wall Mount Stainless Steel | 240     | 240/120V  |
|        |          |               |        |          |      |                  |                                  | 480     | 480Y/277V |
|        |          |               |        |          |      |                  |                                  | 600     | 600Y/347V |

| Voltage  | Ground | Neutral | L1  | L2  | L3  | # of Rows |
|----------|--------|---------|-----|-----|-----|-----------|
| 208Y/120 | GRN    | WHT     | BLK | RED | BLU | x2        |
| 240/120  | GRN    | WHT     | BLK | RED | BLU | x2        |
| 480Y/277 | GRN    | WHT     | BRN | ORG | YEL | x2        |
| 600/347  | GRN    | WHT     | BLK | RED | BLU | x2        |

Revised 2024.01



Sales: 1-800-221-7665 • Service & Support: 1-217-563-8333

PO Box 160, 106 E State Street, Nokomis, IL 62075-0160 • sales@ronkelectrical.com • www.ronkelectrical.com