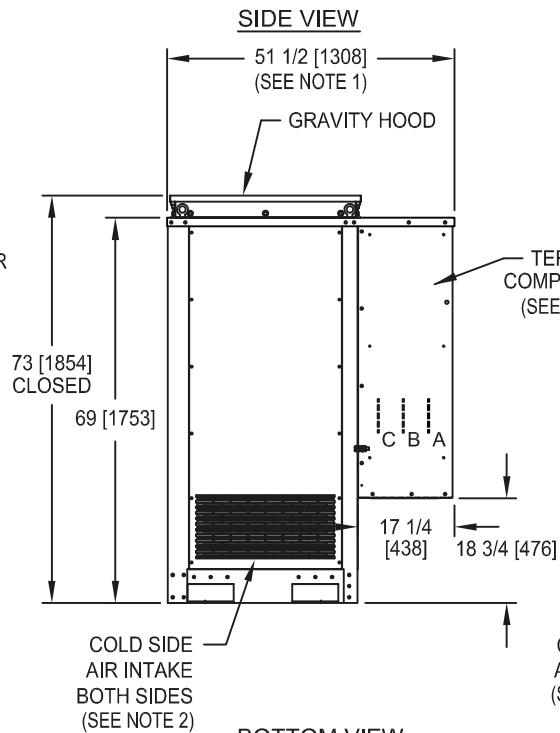


REMOVABLE COVER
(FRONT & REAR)

COLD REAR
AIR INTAKE
(SEE NOTE 2)



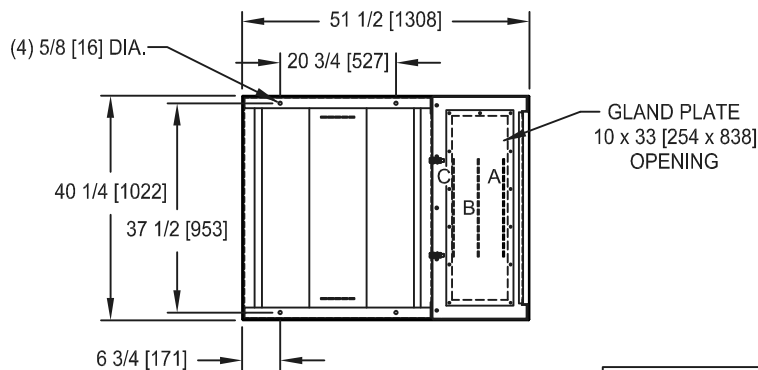
73 [1854]
CLOSED

69 [1753]

COLD SIDE
AIR INTAKE
BOTH SIDES
(SEE NOTE 2)

SIDE VIEW

BOTTOM VIEW



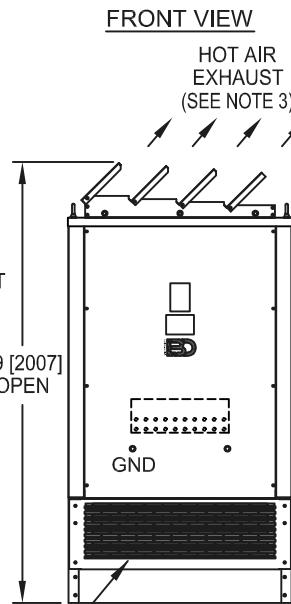
(4) 5/8 [16] DIA.

40 1/4 [1022]

37 1/2 [953]

6 3/4 [171]

GLAND PLATE
10 x 33 [254 x 838]
OPENING



79 [2007]
OPEN

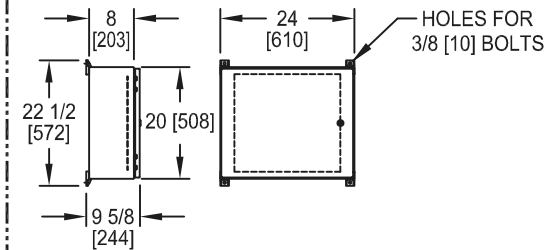
COLD FRONT
AIR INTAKE
(SEE NOTE 2)

FRONT VIEW

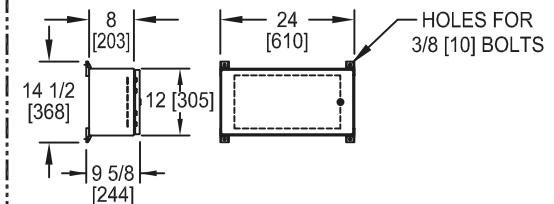
HOT AIR
EXHAUST
(SEE NOTE 3)

GND

OPERATOR REMOTE CONTROL UNIT
FOR DUAL VOLTAGE LOAD BANKS



OPERATOR REMOTE CONTROL UNIT
FOR SINGLE VOLTAGE LOAD BANKS



RECOMMENDED MINIMUM CLEARANCES
(SEE O & M MANUAL FOR INSTALLATION DETAILS)

- NOTE 1) 36" [914] ALL 4 SIDES FOR MAINTENANCE.
- NOTE 2) 36" - 48" [914-1219] ALL 4 SIDES FOR AIR INTAKE.
- NOTE 3) 12-14 FT [3658-4267] FOR TOP HOT AIR EXHAUST.
- NOTE 4) LOAD BANK IS DESIGNED WITH OUTDOOR WEATHERPROOF NEMA-3R-TYPE ENCLOSURE FOR BOTH NON-OPERATING AND FULLY-OPERATING CONDITIONS.

THIS DRAWING IS PROPERTY OF LOAD BANKS DIRECT AND SHALL REMAIN SO WHILE IN USER'S POSSESSION. THE TECHNOLOGY SHOWN HERE IS STRICTLY PROPRIETARY AND IS NOT TO BE DISCLOSED TO ANY 3RD PARTY WITHOUT LOAD BANKS DIRECT PRIOR CONSENT.

REV 2: REV TERMINAL COMPARTMENT DIM'S.
REV 1: DWG NO & RATING WAS LS400-800.

GENERAL NOTES:

- A. UNLESS OTHERWISE NOTED:
1. ALL DIMENSIONS ARE IN INCHES. EXCEPT "[xxx]" = mm.
- B. APPROX WEIGHT: 1100 - 1400 LBS [499-635 KG].
- C. SEE ELECTRICAL SCHEMATIC FOR LOAD CAPACITY (KW) RATINGS, VOLTAGE RATINGS, AND BLOWER MOTOR RATING (H.P.)

LD Load Banks Direct
www.LoadBanksDirect.com

TEXT			
LOAD BANK, 250 THRU 800KW (WITH GRAVITY HOOD)			
DWG. NO.	REV.	SHEET	
LS250-800G-OL	2	1 of 1	
DRAWN BY	CHKD BY	DATE	SIZE
JJF	MMP	2/7/13	A