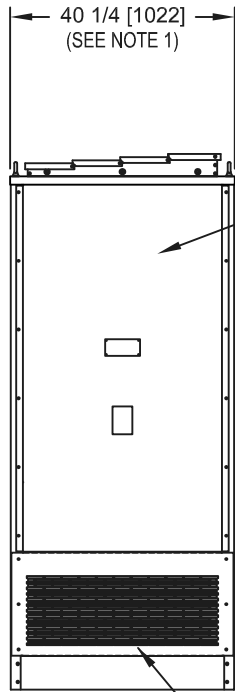


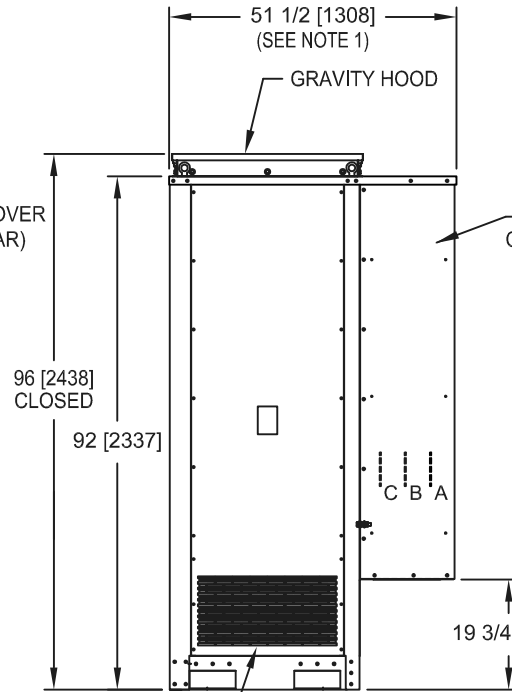
**REAR VIEW**  
40 1/4 [1022]  
(SEE NOTE 1)



REMOVABLE COVER  
(FRONT & REAR)

COLD REAR  
AIR INTAKE  
(SEE NOTE 2)

**SIDE VIEW**  
51 1/2 [1308]  
(SEE NOTE 1)



GRAVITY HOOD

TERMINAL  
COMPARTMENT  
(SEE NOTE 4)

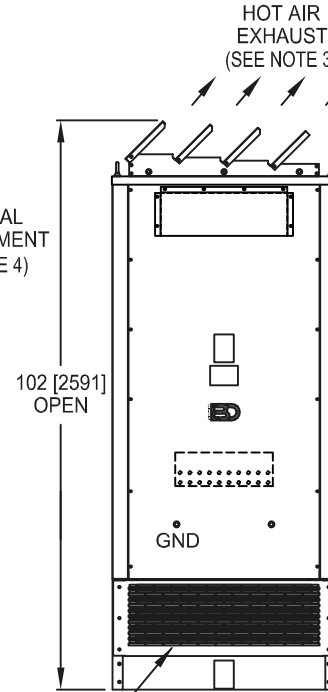
96 [2438]  
CLOSED

92 [2337]

COLD SIDE  
AIR INTAKE  
(BOTH SIDES)  
(SEE NOTE 2)

19 3/4 [502]

**FRONT VIEW**



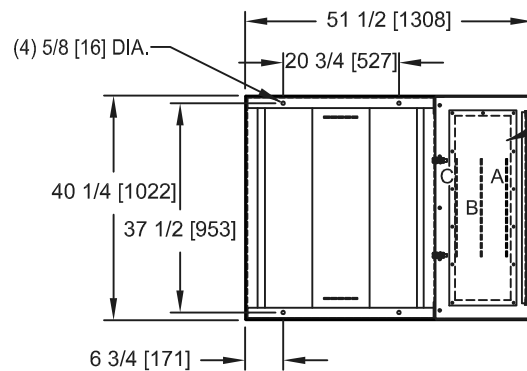
HOT AIR  
EXHAUST  
(SEE NOTE 3)

102 [2591]  
OPEN

COLD FRONT  
AIR INTAKE  
(SEE NOTE 2)

GND

**BOTTOM VIEW**



(4) 5/8 [16] DIA.

51 1/2 [1308]

20 3/4 [527]

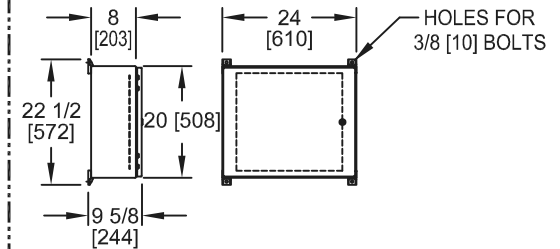
GLAND PLATE  
10 x 33 [254 x 838]  
OPENING

40 1/4 [1022]

37 1/2 [953]

6 3/4 [171]

**OPERATOR REMOTE CONTROL UNIT  
FOR DUAL VOLTAGE LOAD BANKS**



HOLES FOR  
3/8 [10] BOLTS

22 1/2 [572]

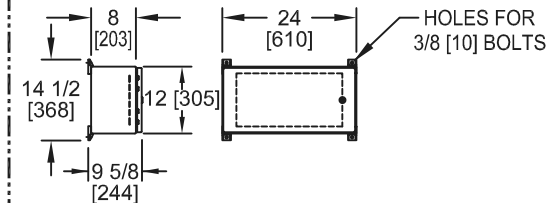
8 [203]

24 [610]

20 [508]

9 5/8 [244]

**OPERATOR REMOTE CONTROL UNIT  
FOR SINGLE VOLTAGE LOAD BANKS**



HOLES FOR  
3/8 [10] BOLTS

14 1/2 [368]

8 [203]

24 [610]

12 [305]

9 5/8 [244]

**RECOMMENDED MINIMUM CLEARANCES  
(SEE O & M MANUAL FOR INSTALLATION DETAILS)**

- NOTE 1) 36" [914] ALL 4 SIDES FOR MAINTENANCE.
- NOTE 2) 36" - 48" [914-1219] ALL 4 SIDES FOR AIR INTAKE.
- NOTE 3) 12-14 FT [3658-4267] FOR TOP HOT AIR EXHAUST.
- NOTE 4) LOAD BANK IS SUPPLIED WITH OUTDOOR WEATHERPROOF NEMA-3R-TYPE ENCLOSURE.

THIS DRAWING IS PROPERTY OF LOAD BANKS DIRECT AND SHALL REMAIN SO WHILE IN USER'S POSSESSION. THE TECHNOLOGY SHOWN HERE IS STRICTLY PROPRIETARY AND IS NOT TO BE DISCLOSED TO ANY 3RD PARTY WITHOUT LOAD BANKS DIRECT PRIOR CONSENT.

**GENERAL NOTES:**

- A. UNLESS OTHERWISE NOTED:  
1. ALL DIMENSIONS ARE IN INCHES. EXCEPT "[xxx]" = mm.
- B. APPROX WEIGHT: 1600 - 1900 LBS [726-862 KG].
- C. SEE ELECTRICAL SCHEMATIC FOR LOAD CAPACITY (KW) RATINGS, VOLTAGE RATINGS, AND BLOWER MOTOR RATING (H.P.)

**LD** Load Banks Direct  
www.LoadBanksDirect.com

TEXT				LOAD BANK, 800 THRU 1250KW (WITH GRAVITY HOOD)	
DWG. NO.	REV.	SHEET			
LS800-1250G-OL	-	1 of 1			
DRAWN BY	CHKD BY	DATE	SIZE		
JJF	MMP	3/26/13	A		