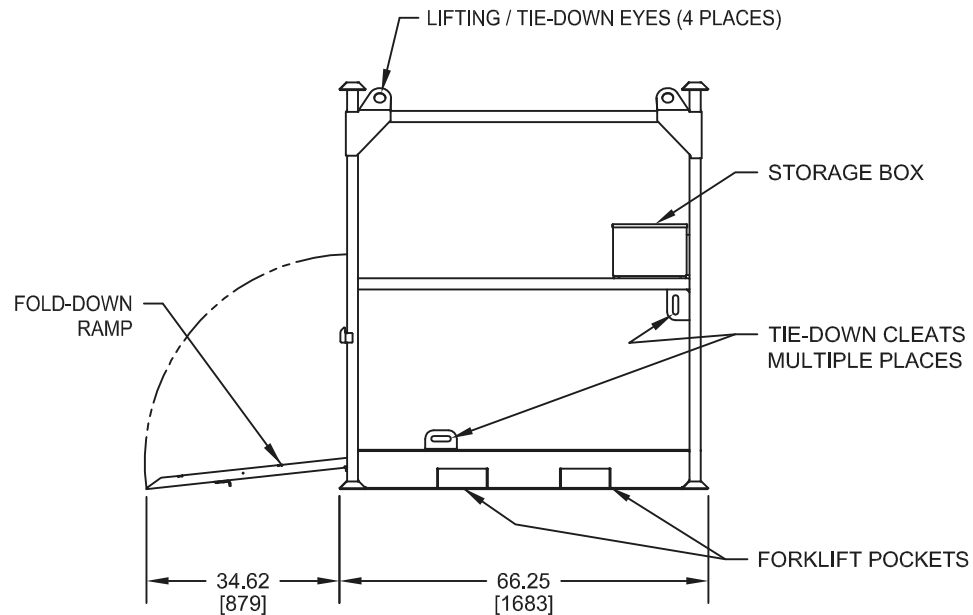
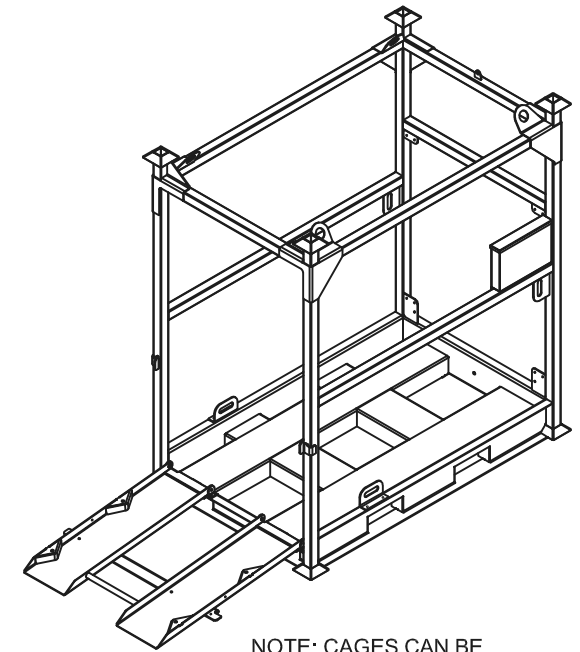


REAR VIEW



SIDE VIEW



NOTE: CAGES CAN BE STACKED ON TOP OF EACH OTHER.

THIS DRAWING IS PROPERTY OF LOAD BANKS DIRECT AND SHALL REMAIN SO WHILE IN USER'S POSSESSION. THE TECHNOLOGY SHOWN HERE IS STRICTLY PROPRIETARY AND IS NOT TO BE DISCLOSED TO ANY 3RD PARTY WITHOUT LOAD BANKS DIRECT PRIOR CONSENT.

**GENERAL NOTES:**

- A. UNLESS OTHERWISE NOTED:
  1. ALL DIMENSIONS ARE IN INCHES. EXCEPT "[xxx]" = mm.
- B. APPROX WEIGHT: 445 LBS [202 KG].
- C. CAGE IS POWER-COATED BLACK.

**LD** Load Banks Direct  
www.LoadBanksDirect.com

TEXT			
SHIPPING CAGE, PORTABLE LOAD BANK (FOR 300 KW THRU 600 KW HORIZONTAL LOAD BANKS)			
DWG. NO.	REV.	SHEET	
LP300-600H-CAGE-V2-OL	-	1 of 1	
DRAWN BY	CHKD BY	DATE	SIZE
JJF	MMP	10/25/18	A